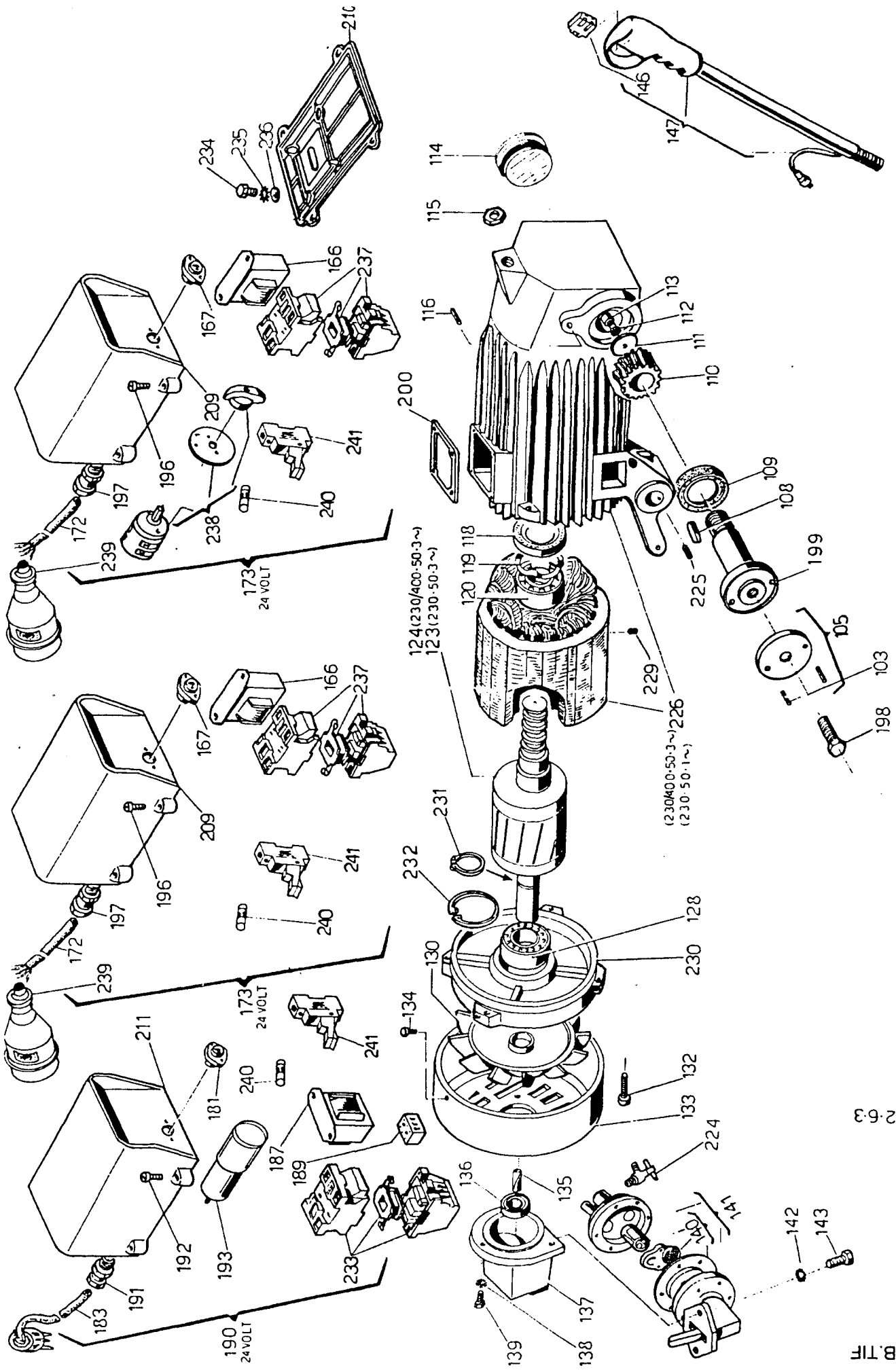


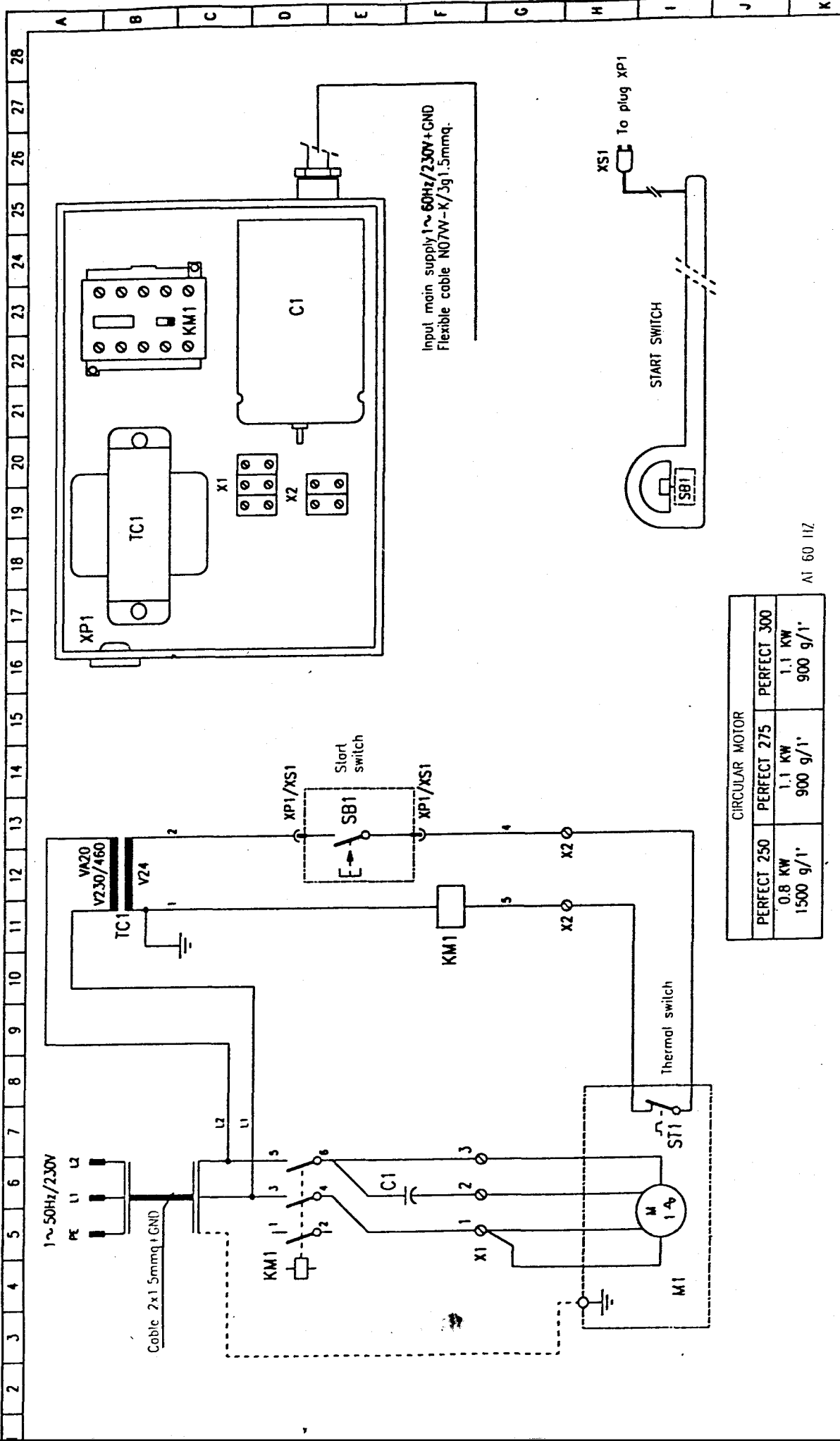
B01-6-3



B02-6-3

R10144AB.TIF

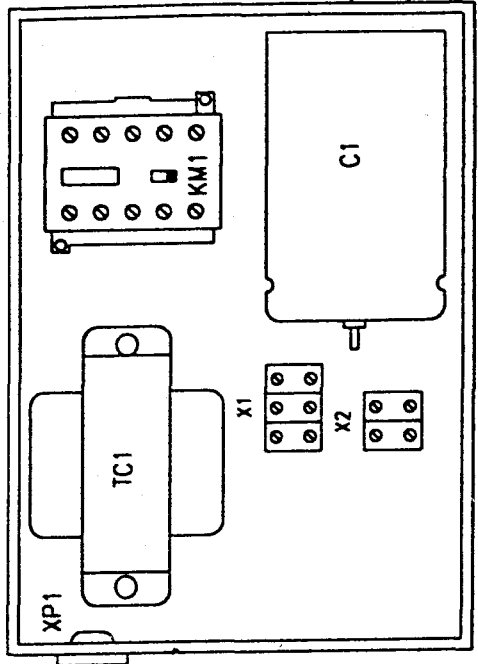




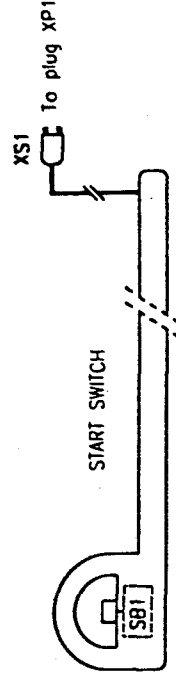
1~50Hz/230V

PE L1 L2  
Cable 2x1.5mmq + GND

VA20  
V230/160  
V24



Input main supply 1~60Hz/230V+GND  
Flexible cable N07W-K/3g1.5mmq.



CIRCULAR MOTOR			
PERFECT 250	PERFECT 275	PERFECT 300	
0.8 KW	1.1 KW	1.1 KW	
1500 g/1'	900 g/1'	900 g/1'	

At 60 HZ



# KALAMAZOO MACHINE TOOL

DISEGNO N° : QE0087A4

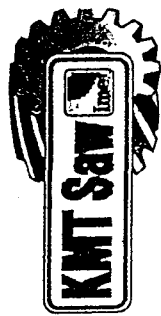
FILE : 0087A01/e

Data : 05.1996

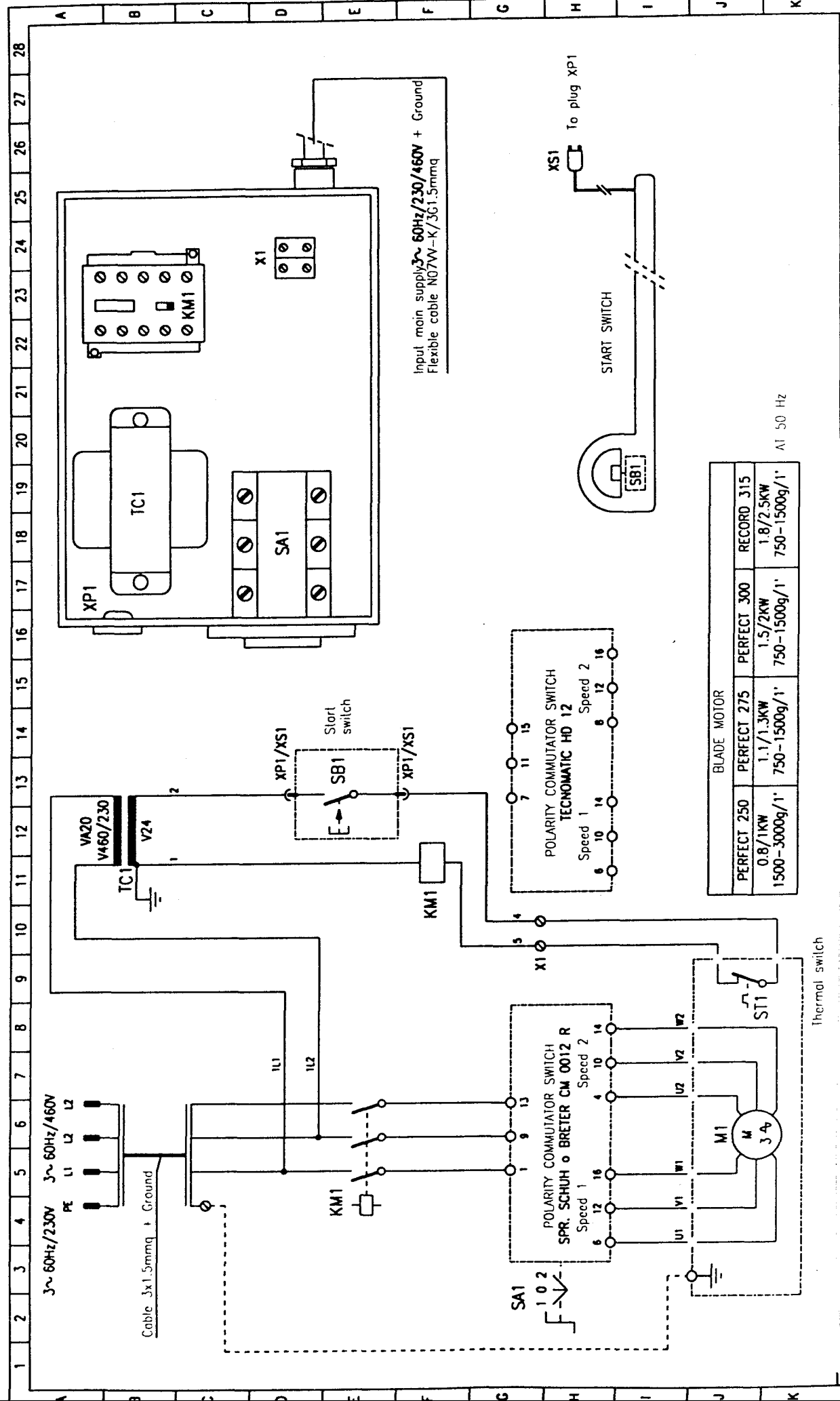
Foglio N° : 1

REF.	DEVICE	SPECIFICATIONS	FUNCTION	FACTORY	TYPE	ITEM N°	Q.TY
KM1	Control master relay	4KW - 9A - 24Vac	Power circular motor	LOVATO	MCS-10-24	260750	1
				TELEMECANIQUE	LC1-K09-10		1
				SIEMENS	3TF 201E		1
C1	Capacitor	VDE 560-8 20uf -450V	Motor Starting	ARCOTRONICS		259670	1
M1	1 Phase motor	0.8 KW-1500 g/1'	Circular motor for PERFECT 250	ELETTROADDA	lipo 80 P100	B91710	1
		1.1 KW-900 g/1'	Circular motor for PERFECT 275	ELETTROADDA	lipo 90 P135	G91709	1
		1.1 KW-900 g/1'	Circular motor for PERFECT 300	ELETTROADDA	lipo 90 P135	G91709	1
IC1	Control circuit transformer	20VA-Vi 230/460-Vu 24 CSA UL	Main auxiliary supply	C.E.	TM VA20 CSA	931220	1
SB1	Pushbutton	6A 250V	Control circular motor	BREMAS	AP 65	520821	1
ST1	Thermal switch	Classe 0	Overcurrent protection circular motor	TERMIK			1
XP1	Plug	2 Poles DIN 41529	Connection start switch		PUNTO LINEA	698504	1
XS1	Receptacle	2 Poles DIN 41529	Connection start switch		PUNTO LINEA	204504	1
XZ	Terminal block	3 Poles/4mmq./6A	Connection circular motor	WEIDMULLER	BK-3	558820	1
X1'	Terminal block	Sez. 1.5mmq.	Connection thermal switch	K.E.	35038+35004	182942+182945	2

DISEGNO N° : QE0087A6  
 FILE : 0087A02/e  
 Data : 05.1996  
 Foglio N° : 2



# KALAMAZOO MACHINE TOOL



3~ 60Hz/230V 3~ 60Hz/460V  
PE L1 L2 L3

Cable 3x1.5mmq + Ground

Input main supply 3~ 60Hz/230/460V + Ground  
Flexible cable N07W-K/3G1.5mmq

POLARITY COMMUTATOR SWITCH  
SPR. SCHUH o BRETER CM 0012 R  
Speed 1 2 4 6 8 10 12 14 16  
Speed 2

POLARITY COMMUTATOR SWITCH  
TECNOMATICO HD 12  
Speed 1 2 4 6 8 10 12 14 16  
Speed 2

BLADE MOTOR			
PERFECT 250	PERFECT 275	PERFECT 300	RECORD 315
0.8/KW	1.1/1.3KW	1.5/2KW	1.8/2.5KW
1500-3000g/1'	750-1500g/1'	750-1500g/1'	750-1500g/1'

At 50 Hz

Thermal switch

DISEGNO N° :	QE0082A4
FILE :	0082A01/e
Data :	05.1996
Foglio N° :	1



# KALAMAZOO MACHINE TOOL

1 2 3 4 5 6 7 8 9 10 11 12 13 14 15 16 17 18 19 20 21 22 23 24 25 26 27 28

REF.	DEVICE	SPECIFICATIONS	FUNCTION	FACTORY	TYPE	ITEM N°	Q.TY
KM1	Control master relay	4KW - 9A - 24Vac	Power circular motor	LOVATO	MC9-10-24	260750	1
				TELEMECANIQUE	LC1-K09-10		1
				SIEMENS	3TF 201E		1
SA1	Polarity commutator switch	3 Poles/16A-3 pos. Δ-0-YY	Set speed circular motor	TECNOMATIC	HD12 X222 R922	257909	1
				BRETER	CM00 12R		1
M1	3 Phase motor	0.8/1KW-1500/3000 g/1'	Circular motor for PERFECT 250	ELETTROADDA	tipo 80 P70	B91715 / V460	1
		1.1/1.3KW-750/1500 g/1'	Circular motor for PERFECT 275	ELETTROADDA	tipo 90 P125	G91516 / V460	1
		1.5/2KW-750/1500 g/1'	Circular motor for PERFECT 300	ELETTROADDA	tipo 90 P135	K91716 / V460	1
		1.8/2.5KW-750/1500 g/1'	Circular motor for RECORD 315	ELETTROADDA	FC100 4/8POLES	585800 / V460	1
		0.8/1KW-1500/3000 g/1'	Circular motor for PERFECT 250	ELETTROADDA	tipo 80 P70	B91711 / V230	1
		1.1/1.3KW-750/1500 g/1'	Circular motor for PERFECT 275	ELETTROADDA	tipo 90 P125	G91714 / V230	1
		1.5/2KW-750/1500 g/1'	Circular motor for PERFECT 300	ELETTROADDA	tipo 90 P135	K91714 / V230	1
		1.8/2.5KW-750/1500 g/1'	Circular motor for RECORD 315	ELETTROADDA	FC100 4/8POLES	585685 / V230	1
TC1	Control circuit transformer	20VA-V230/460 Vo 24 CSA UL	Main auxiliary supply	C.E.	TM VA20 CSA	931220	1
S81	Pushbutton	6A 250V	Control circular motor	BREMAS	AP 65	520821	1
ST1	Thermal switch	Classe B	Control overcurrent motor	TERMIK			1
XP1	Plug	2 Poles DIN 41529	Connection start switch		PUNTO LINEA	698504	1
XS1	Receptacle	2 Poles DIN 41529	Connection start switch		PUNTO LINEA	204504	1
X1	Terminal block	Sez. 1.5mmq.	Connection thermal switch	K.E.	35038+35004	182942+182945	2

DISEGNO N° : QE0082A4  
 FILE : 0082A02/e  
 Data : 05.19965  
 Foglio N° : 2



# KALAMAZOO MACHINE TOOL