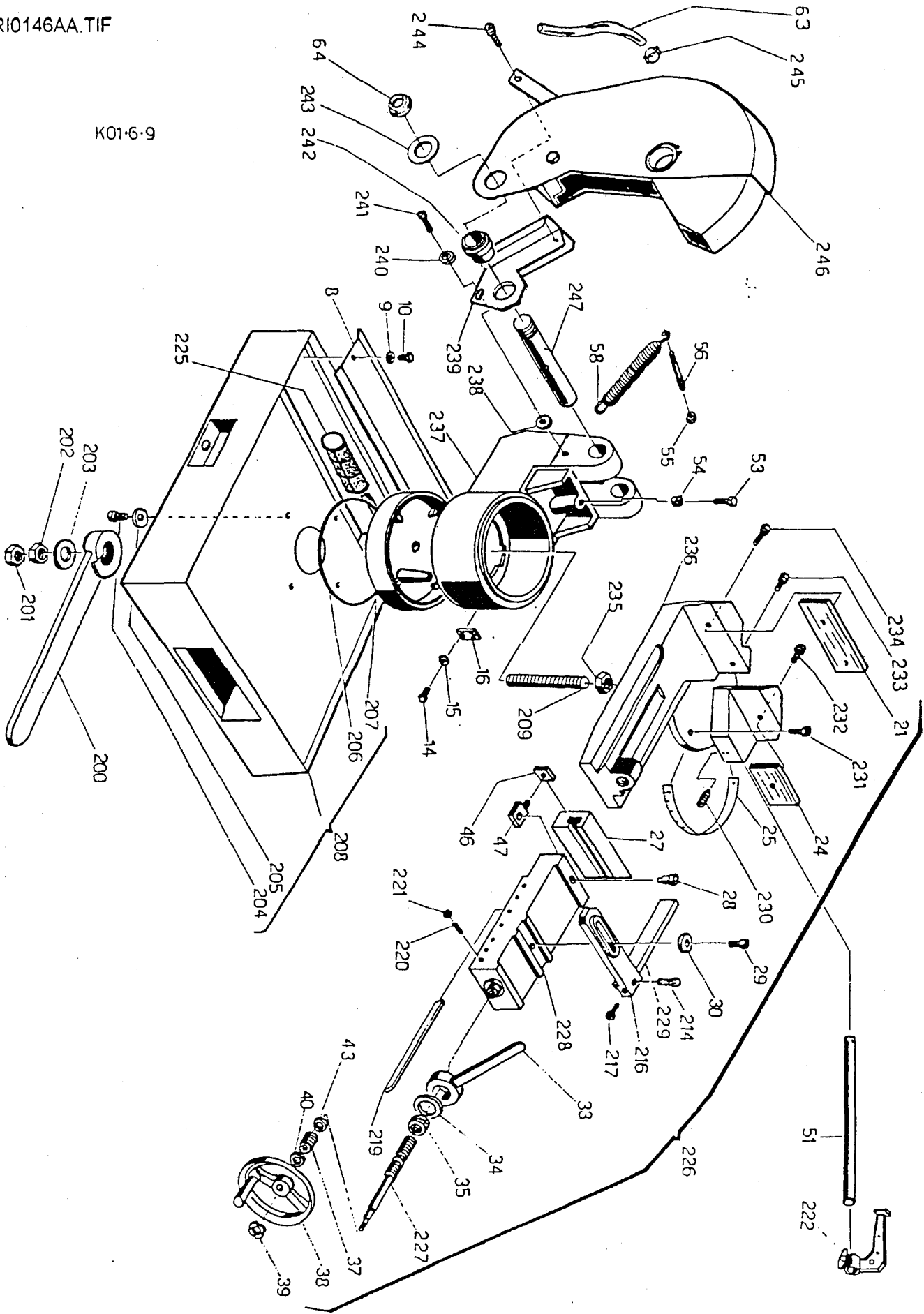
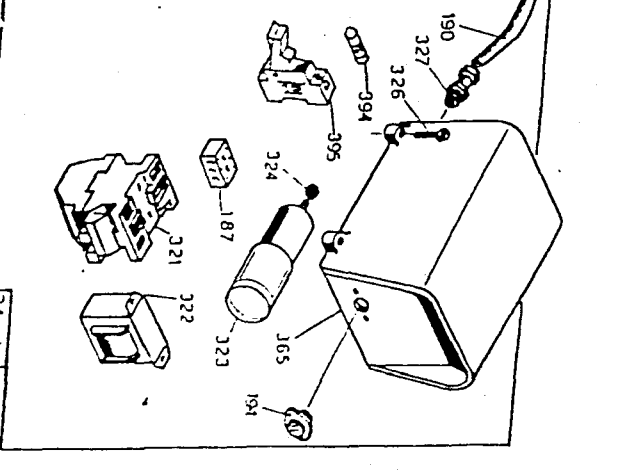
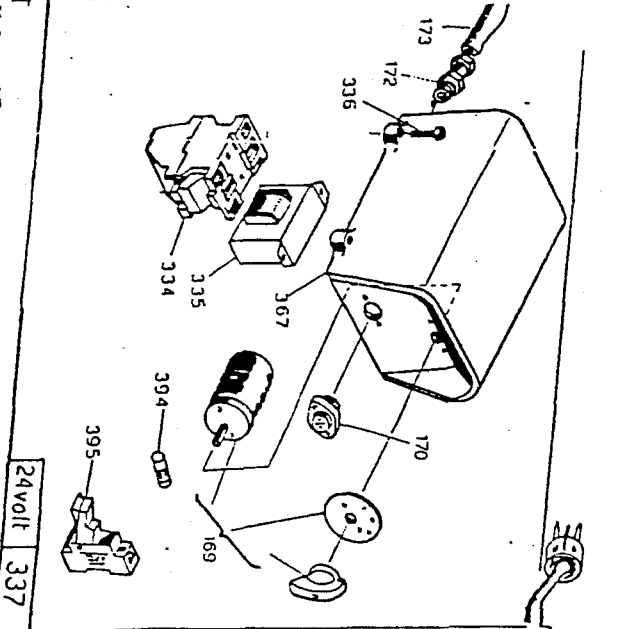
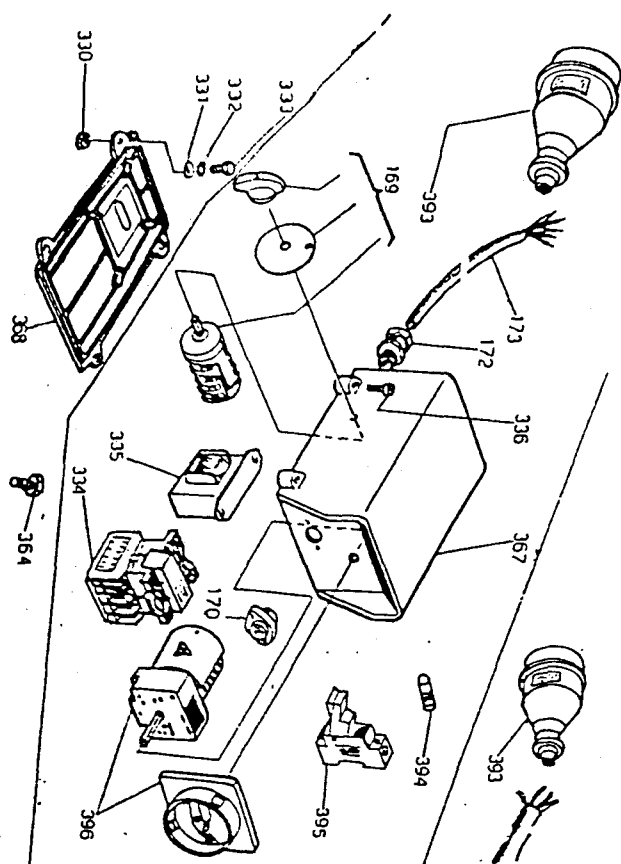
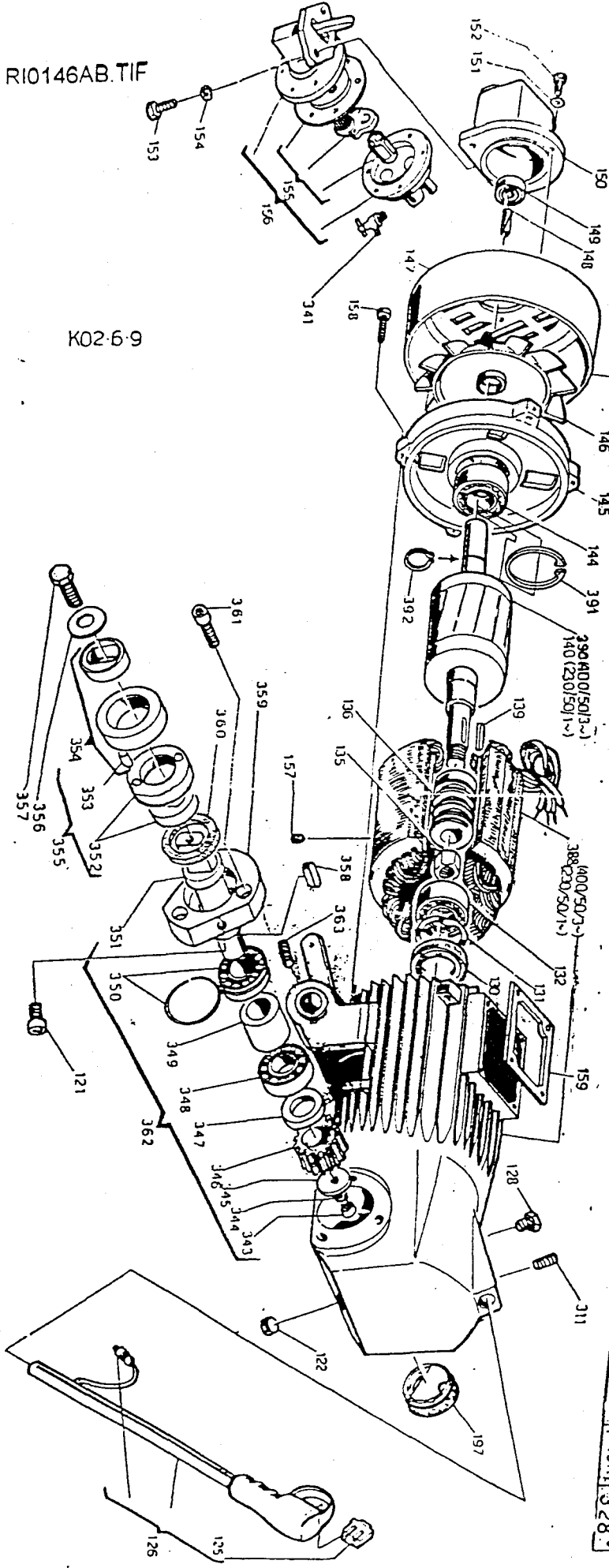


K01-6-9





N° COD.	DESCRIPTION	Q	N° COD.	DESCRIPTION	Q	N° COD.	DESCRIPTION	Q	N° COD.	DESCRIPTION	Q	N° COD.	DESCRIPTION	Q	N° COD.	DESCRIPTION	Q
8	268833	1	150	771945	1	238	744190	1	363	941640	1	363	941640	1	363	941640	1
14	991270	1	151	751020	1	239	630140	1	364	991270	1	364	991270	1	364	991270	1
15	747920	1	152	992045	1	240	744045	1	365	771820	1	365	771820	1	365	771820	1
16	918420	1	153	993145	2	241	978870	1	367	771820	1	367	771820	1	367	771820	1
21	471996	1	154	751795	2	242	744400	1	368	921000	1	368	921000	1	368	921000	1
24	469996	1	155	727050	1	243	745161	1	388	927918	1	388	927918	1	388	927918	1
25	910206	1	156	691300	1	244	977650	1	390	100715	1	390	100715	1	390	100715	1
27	477946	1	157	941302	1	245	331888	1	391	128059	1	391	128059	1	391	128059	1
28	961056	1	158	976548	1	246	191644	1	392	127865	1	392	127865	1	392	127865	1
29	974995	1	159	508445	1	247	648105	1	393	787000	1	393	787000	1	393	787000	1
30	738976	1	169	257909	1	248	970700	1	394	390001	2	394	390001	2	394	390001	2
33	529303	1	170	698504	1	249	667765	1	395	694520	1	395	694520	1	395	694520	1
34	694083	1	172	630700	1	311	941670	1	396	520218	1	396	520218	1	396	520218	1
35	288097	1	173	205065	1	321	260750	1									
37	545458	1	187	558820	1	322	932350	1									
38	963837	1	187	558820	1	323	259670	1									
39	499145	1	190	204955	1	324	307810	1									
40	741509	1	194	698504	1	326	969950	1									
43	741509	1	197	766162	1	327	630700	1									
46	677103	1	200	528207	1	328	241300	1									
47	928673	1	201	306200	1	330	306500	1									
51	997470	1	202	306120	1	331	748695	1									
53	996700	1	203	749577	1	332	751900	1									
54	307720	1	204	995920	1	333	969950	1									
55	307720	1	205	741720	1	334	260750	1									
56	646450	1	206	119943	4	335	932350	1									
58	549403	1	207	666500	1	336	969950	1									
59	307720	1	208	144046	1	337	240500	1									
63	936245	1	209	956183	1	341	755808	1									
64	499466	1	214	984320	1	343	983916	1									
67	647530	1	216	169002	1	344	750600	1									
121	977320	1	217	970273	1	345	742431	1									
122	865936	1	219	279871	1	346	275945	1									
125	520821	1	220	943807	8	347	327116	1									
126	132595	1	221	306500	8	348	288725	1									
128	865720	1	222	733776	1	349	322065	1									
130	129696	1	225	335748	1	350	288877	1									
131	544666	1	226	558491	1	351	109828	1									
132	290670	1	227	957077	1	352	341726	1									
135	294545	1	228	183483	1	353	791700	1									
136	959193	1	229	478286	1	354	634189	1									
139	214720	1	230	941670	1	355	506862	1									
140	100498	1	231	946500	1	356	546938	1									
144	287876	1	232	980420	1	357	956843	1									
145	265789	1	233	977650	1	358	216270	1									
146	749577	1	234	980420	1	359	336000	1									
147	271379	1	235	306200	1	360	129627	1									
148	790630	1	236	159184	1	361	978095	1									
149	286020	1	237	683531	1	362	112560	1									

R0146AA.TIF
R0146AB.TIF



KALAMAZOO MACHINE TOOL

C 300

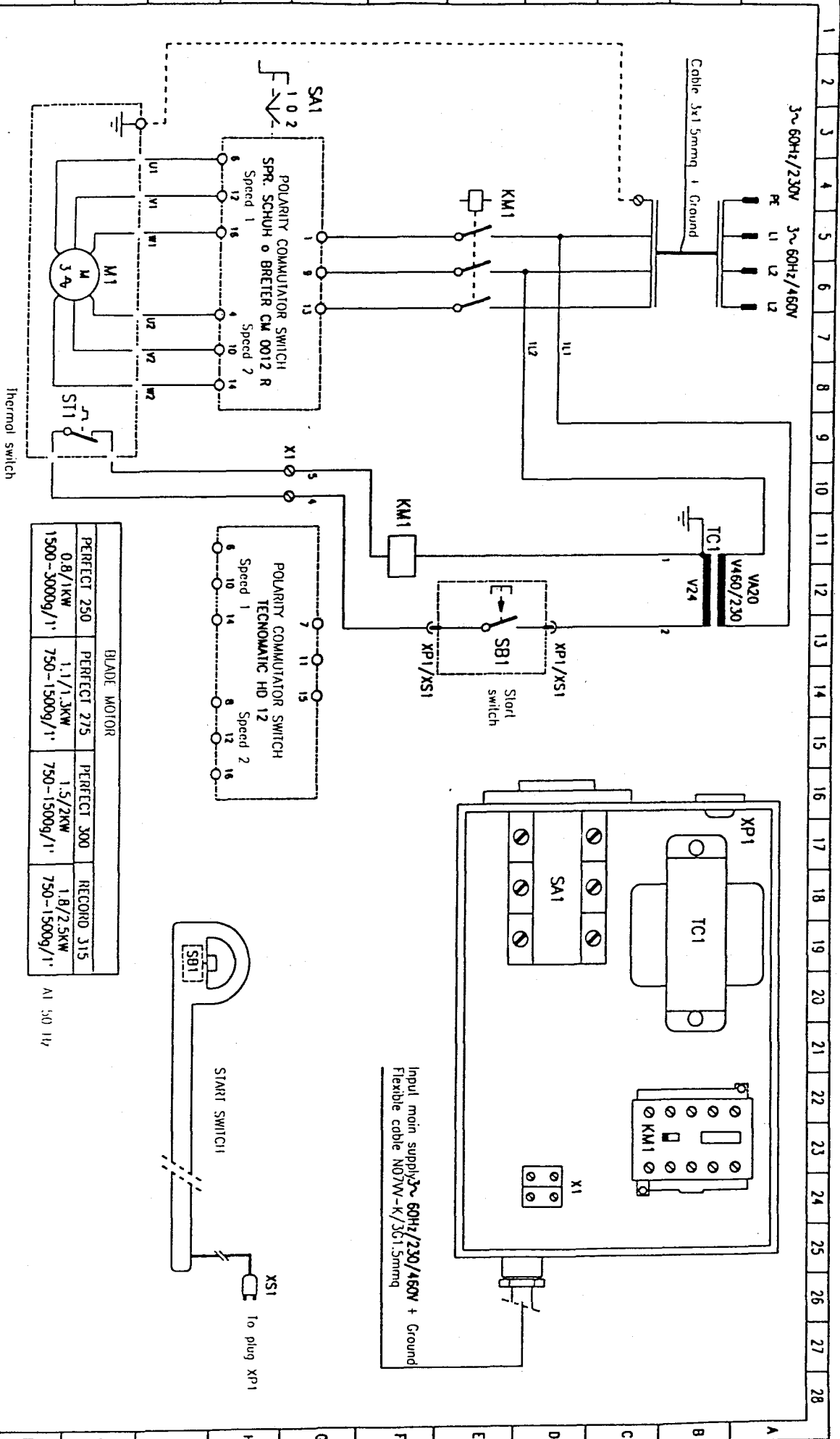
Useq. RCD Dis N R0146A2

Modica



KALAMAZOO MACHINE TOOL

3 phase



BLADE MOTOR			
PERFECT 250	PERFECT 275	PERFECT 300	RECORD 315
0.8/1KW	1.1/1.3KW	1.5/2KW	1.8/2.5KW
1500-3000g/1'	750-1500g/1'	750-1500g/1'	750-1500g/1'

AI 50 114

DISECNO N° : 0E0082A4

FILE : 0082A01/e

Data : 05.1996

Foglio N° : 1

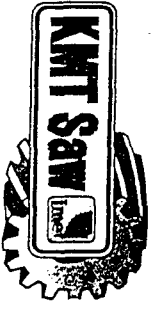
N° COD.	DESCRIPTION	Q	N° COD.	DESCRIPTION	Q	N° COD.	DESCRIPTION	Q	N° COD.	DESCRIPTION
1	558499	1	51	97895	1					
2	978870	1	52	979645	1					
3			53	471713	1					
4	864825	1	54	942445	1					
5	182962	1	55	471713	1					
6	698897	1	56	279871	1					
7	983535	1	57	983893	1					
8	179656	2	58	158626	1					
9	775918	1	59	741509	1					
10	735520	1	60	957104	1					
11	695995	1	61	693005	1					
12	716465	1	62	477973	1					
13	256570	1	63	477973	1					
14	747502	2	64	677103	2					
15	975923	1	65	984002	1					
16	723120	1	66	184975	1					
17	716465	1	67	513870	3					
18	720020	1	68	537422	3					
19	727514	1	69	493868	1					
20	720795	1	70	790961	1					
21	616170	1	71	735704	1					
22	968795	2	72	306500	1					
23	716145	1	73	943855	1					
24	775943	1	74	943903	1					
25	766643	1	75	910206	1					
26	935470	1	76		1					
27	132893	1	77	558389	1					
28	494805	1								
29	686602	1								
30	494407	1								
31	288097	1								
32	976100	1								
33	507621	1								
34	344684	1								
35	658290	1								
36	183227	1								



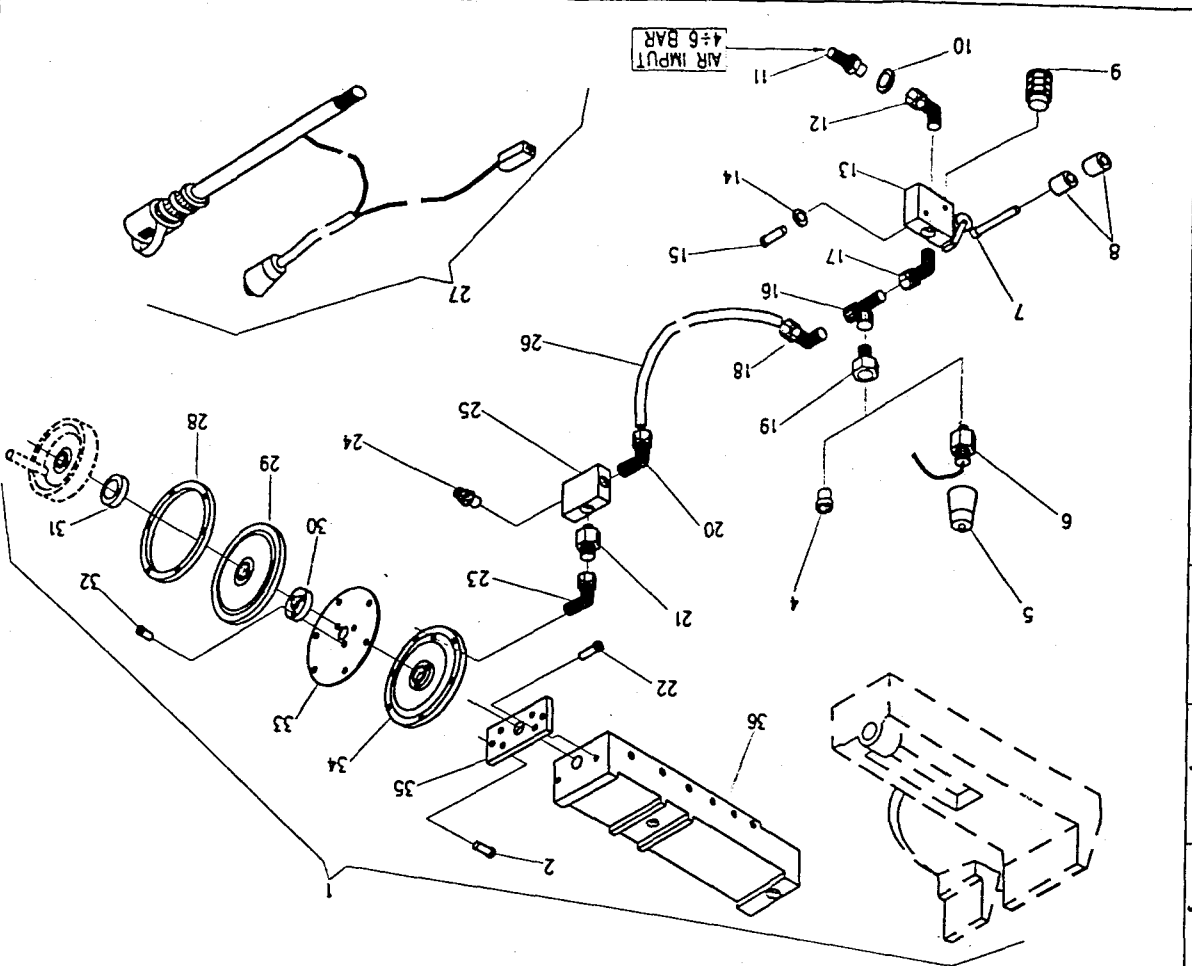
KALAMAZOO MACHINE TOOL

J1seg: RCD: Dis. N: RI0146A2
 Modific:

C 300



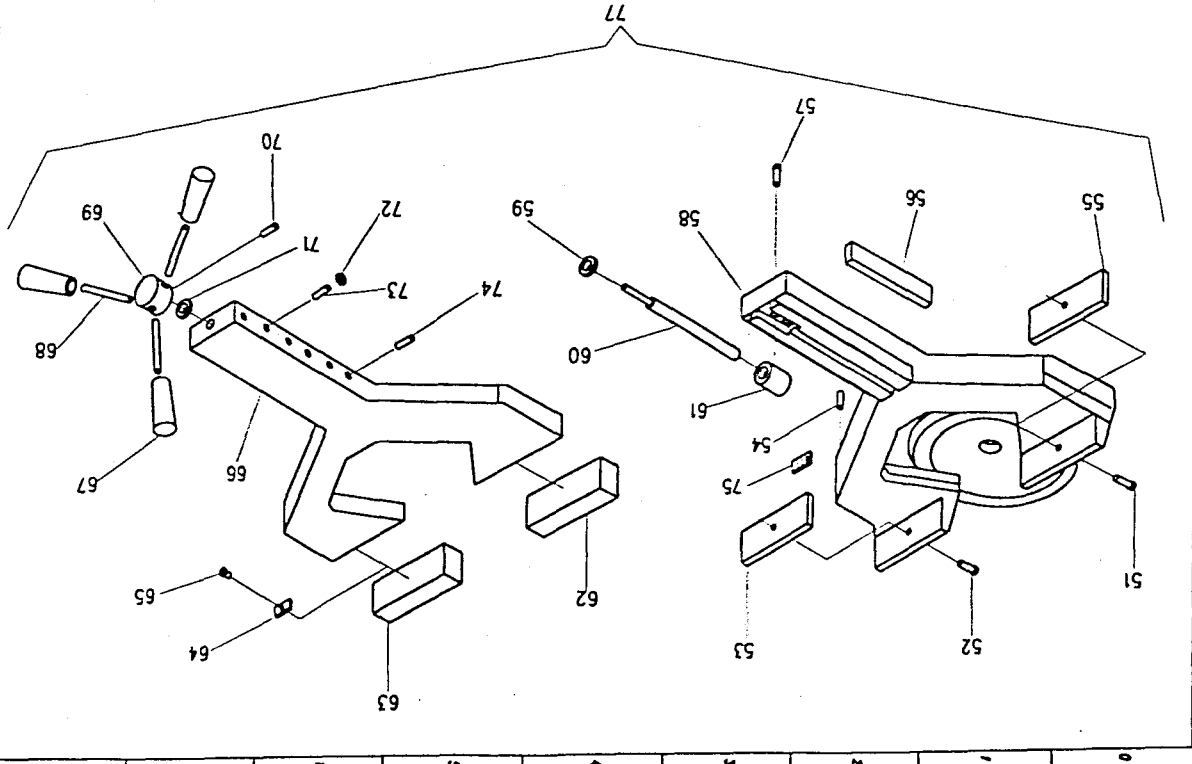
KALAMAZOO MACHINE TOOL



PNEUMATIC VICE PERFECT 300

OPTIONAL

DOUBLE VICE PERFECT 300



C 300

Isag RCD Dis. N RI0146A2

Modifico

REF.	DEVICE	SPECIFICATIONS	FUNCTION	FACTORY	TYPE	ITEM N°	Q.TY
KM1	Control master reely	4KW - 9A - 24Vdc	Power circular motor	LOVATO TELEMECANIQUE	MG9-10-24 LC1-K09-10	260750	1
C1	Capocitor	VDE 560-8 20uF -450V	Motor Starting	ARCOIRONICS	JIF 201E	259670	1
M1	1 Phase motor	0.8 KW-1500 g/1' 1.1 KW-900 g/1' 1.1 KW-900 g/1'	Circular motor for PERFECT 250 Circular motor for PERFECT 275 Circular motor for PERFECT 300	ELTRORODDA ELTRORODDA ELTRORODDA	tipo 80 P100 tipo 90 P135 tipo 90 P135	891710 C91709 C91709	1 1 1
IC1	Control circuil transformer	20VA-VI 230/460-Vu 24 CSA UL	Main auxillary supply	C.E.	TM VA20 CSA	931220	1
SBI	Pushbutton	6A 250V	Control circular motor	BREMAS	AP 65	520821	1
ST1	Thermal switch	Classe B	Overcurrent protection circular motor	TERMIK	PUNTO LINEA	698504	1
XP1	Plug	2 Poles DIN 41529	Connection start switch		PUNTO LINEA	204504	1
XS1	Receptacle	2 Poles DIN 41529	Connection start switch				
X2	Terminal block	3 Poles/Armq./6A	Connection circular motor	WIDMUTTER	DK-3	558820	1
X1	Terminal block	5ez. 1 5mmq.	Connection thermal switch	K.T.	550381, 550004	1829421, 182945	2



KALAMAZOO MACHINE TOOL

DISEGNO N° : QE0087A6
 FILE : 0087A02/e
 Date : 05.1996
 Foglio N° : 2

REF.	DEVICE	SPECIFICATIONS	FUNCTION	FACTORY	TYPE	ITEM N°	Q.TY
KM1	Control motor relay	4KW - 9A - 24Vdc	Power circular motor	LOWATO	MG9-10-24	260750	1
				TELEMECANIQUE	LC1-K09-10		1
				SIEMENS	3TF 201E		1
SA1	Polarity commutator switch	3 Poles/16A-3 pos. Δ-0-YY	Sel speed circular motor	TECNOMATIC	11012 X222 R922	257909	1
				BRITIR	GM00 12R		1
M1	3 Phase motor	0,8/1KW-1500/3000 g/1'	Circular motor for PERFECT 250	ELETTROADDA	tipo 80 P70	B91715 / V460	1
		1,1/1,3KW-750/1500 g/1'	Circular motor for PERFECT 275	ELETTROADDA	tipo 90 P125	G91516 / V460	1
		1,5/2KW-750/1500 g/1'	Circular motor for PERFECT 300	ELETTROADDA	tipo 90 P135	K91716 / V460	1
		1,8/2,5KW-750/1500 g/1'	Circular motor for RECORD 315	ELETTROADDA	FC100 4/8POLES	585800 / V460	
		0,8/1KW-1500/3000 g/1'	Circular motor for PERFECT 250	ELETTROADDA	tipo 80 P70	B91711 / V230	1
		1,1/1,3KW-750/1500 g/1'	Circular motor for PERFECT 275	ELETTROADDA	tipo 90 P125	G91714 / V230	1
		1,5/2KW-750/1500 g/1'	Circular motor for PERFECT 300	ELETTROADDA	tipo 90 P135	K91714 / V230	1
		1,8/2,5KW-750/1500 g/1'	Circular motor for RECORD 315	ELETTROADDA	FC100 4/8POLES	585685 / V230	
IC1	Control circuit transformer	20VA-V230/460 Vo 24 CSA U	Main auxiliary supply	C.E.	TM V220 CSA	931220	1
SBI	Pushbutton	6A 250V	Control circular motor	BRLMAS	AP 65	520821	1
511	Thermal switch	Classe II	Control overcurrent motor	HEIMAK			1
XP1	Plug	2 Poles DIN 41529	Connection start switch		PUNIO LINA	698K04	1
XS1	Receptacle	2 Poles DIN 41529	Connection start switch		PUNIO LINA	204504	1
X1	Terminal block	5x1,5mmq.	Connection thermal switch	K.E.	35038+35004	182942+182945	2

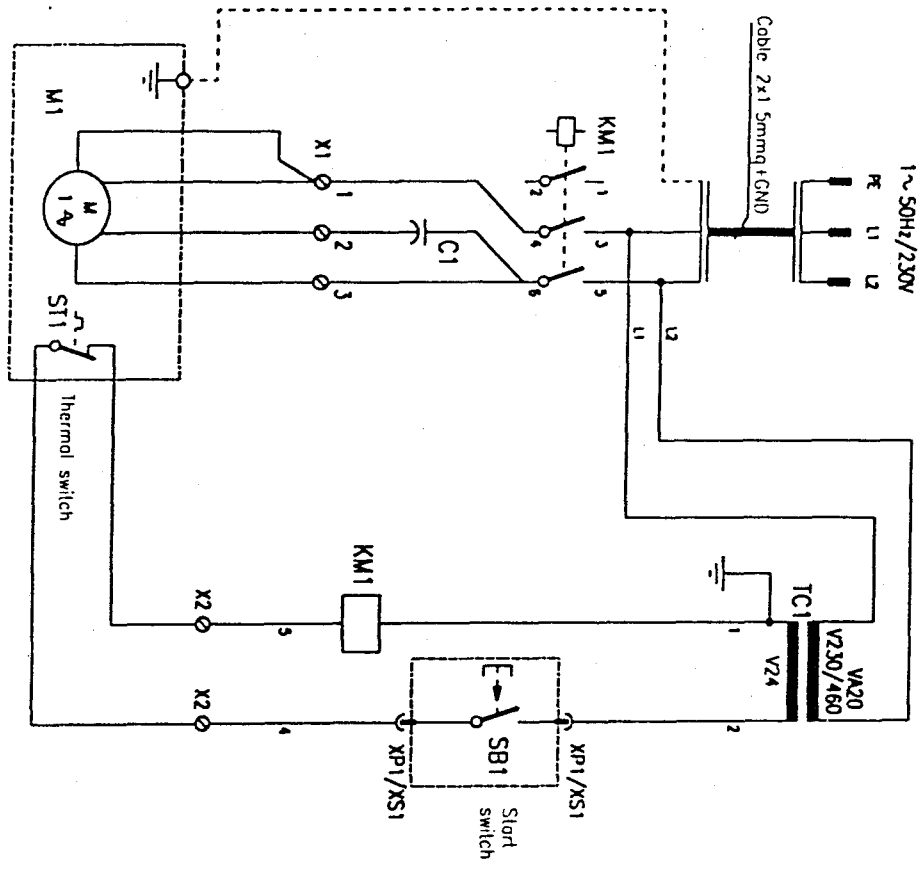


KALAMAZOO MACHINE TOOL

DISCENO N° : QE0082A4
 FILE : 0082A02/e
 Data : 05.19965
 Foglio N° : 2

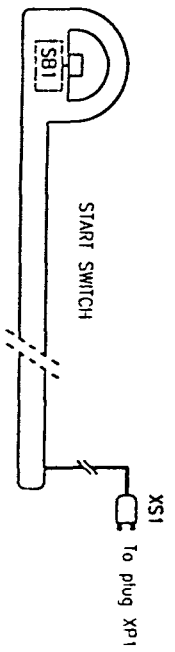
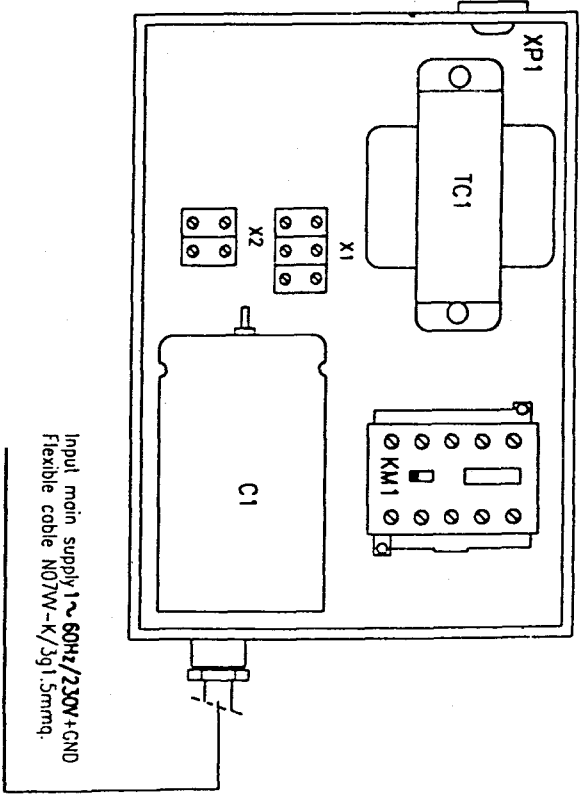


KALAMAZOO MACHINE TOOL



CIRCULAR MOTOR			
PERFECT 250	PERFECT 275	PERFECT 300	
0,8 KW	1,1 KW	1,1 KW	
1500 g/1'	900 g/1'	900 g/1'	

Al 60 11/2



DISEGNO N° : QED0087A4
FILE : 0087A01/e
Data : 05.1996
Foglio N° : 1