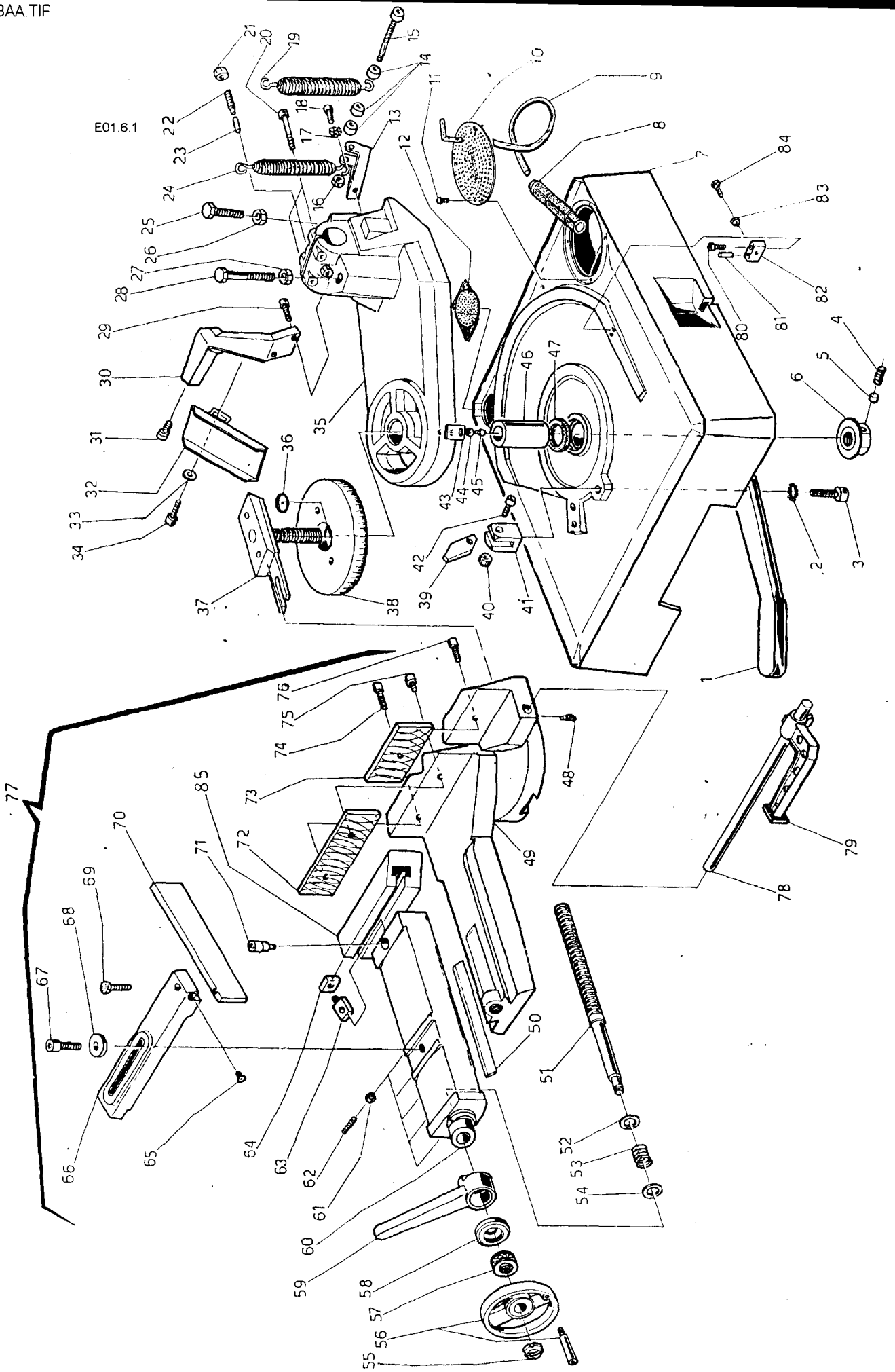
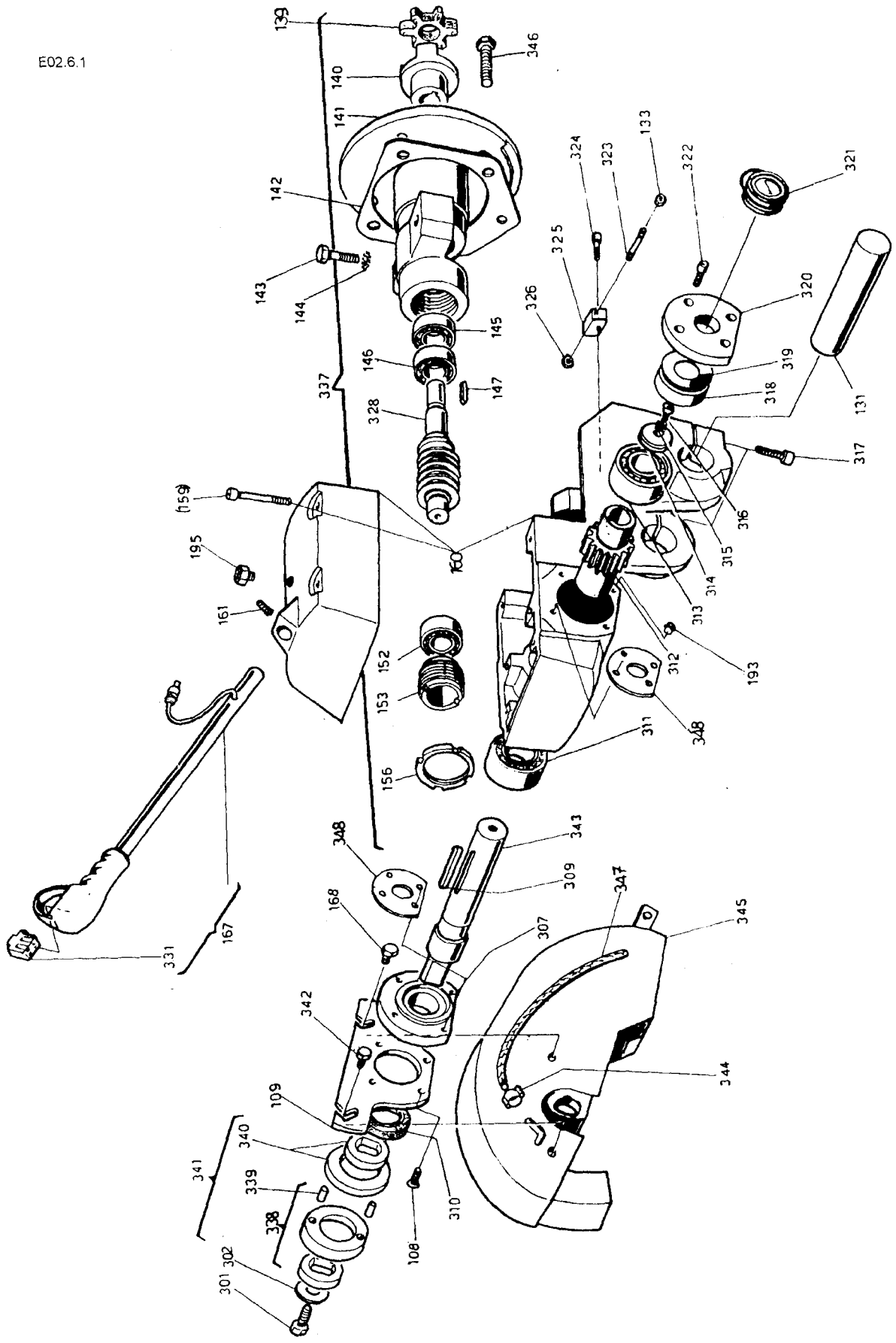


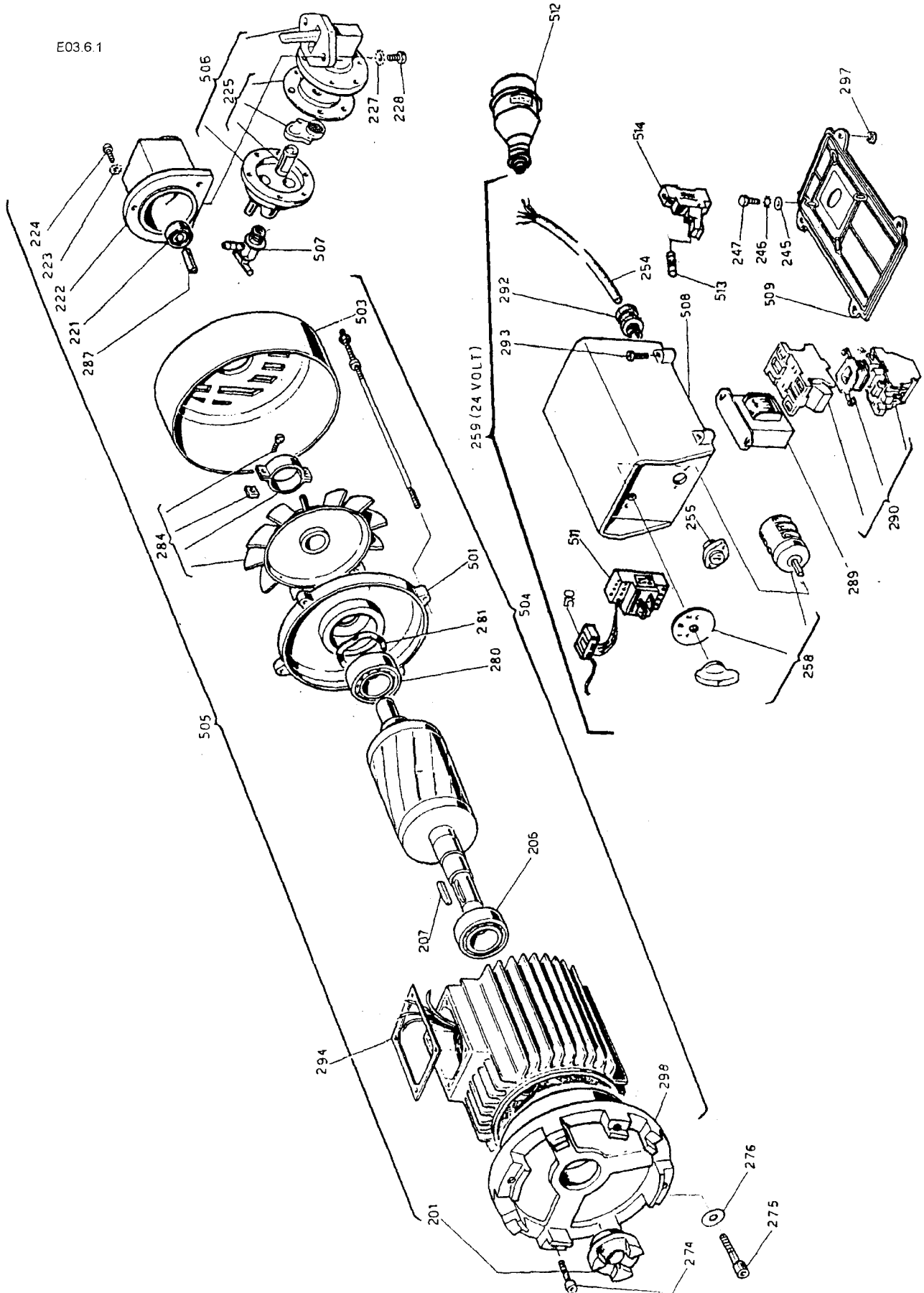
E01.6.1



E02.6.1



E03.6.1



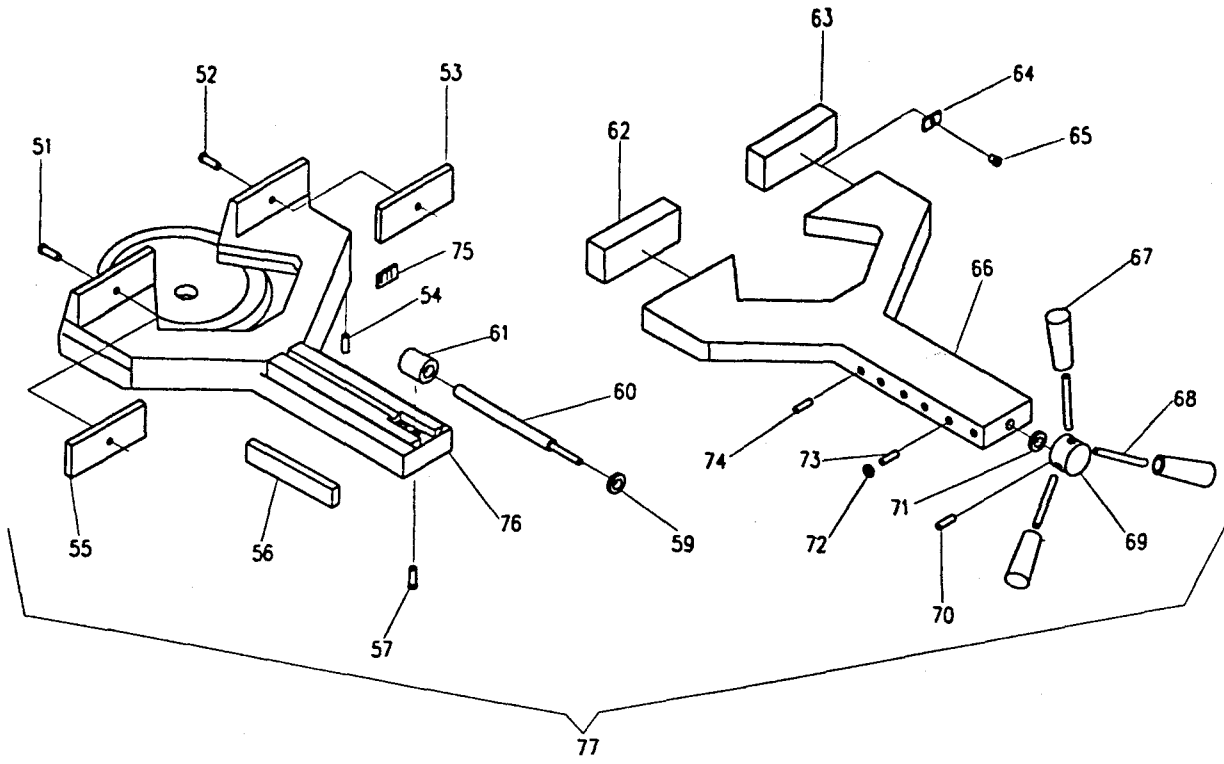
N° COD	DESCRIPTION	Q.	N° COD	DESCRIPTION	Q.	N° COD	DESCRIPTION	Q.	N° COD	DESCRIPTION	Q.	N° COD	DESCRIPTION	Q.
1	528305	1	51	957077	1	153	120170	1	314	742431	1	314	742431	1
2	750245	1	52	741509	1	156	497595	1	315	750600	1	315	750600	1
3	974220	1	53	545458	1	159	983520	1	316	984300	2	316	984300	1
4	941670	1	54	741509	1	160	927772	1	317	981195	1	317	981195	1
5	632425	1	55	499145	1	161	942445	1	318	323409	1	318	323409	1
6	301520	1	56	963837	1	167	137595	1	319	546672	1	319	546672	1
7	143801	1	57	288097	1	168	981500	1	320	349678	1	320	349678	1
8	335748	1	58	694083	1	193	865936	1	321	786162	1	321	786162	1
9	938245	1	59	529303	1	195	865720	1	322	978095	1	322	978095	1
10	505580	1	60	183483	1	201	774270	8	323	646500	1	323	646500	1
11	994370	2	61	306500	1	206	290670	8	324	981970	1	324	981970	1
12	505070	1	62	943807	1	207	214720	1	325	145072	1	325	145072	1
13	354220	1	63	928673	1	221	286020	2	326	307720	1	326	307720	1
14	179636	3	64	677103	3	222	771945	1	328	960515	1	328	960515	1
15	983550	1	65	970273	1	223	751020	1	331	520821	1	331	520821	1
16	294189	1	66	169002	1	224	992045	1	332	533375	2	332	533375	2
17	750011	3	67	974995	3	224	992045	1	338	341897	1	338	341897	1
18	978095	1	68	738976	1	225	727050	1	339	791880	1	339	791880	1
19	549106	1	69	984320	1	227	751795	1	340	341726	2	340	341726	2
20	983520	2	70	478286	2	228	995145	1	341	506882	2	341	506882	2
21	300745	1	71	961056	1	245	744611	1	342	961500	1	342	961500	1
22	946320	1	72	471996	1	246	751020	1	343	109999	1	343	109999	1
23	138770	1	73	469996	1	247	970075	1	344	331888	1	344	331888	1
24	549106	1	74	978870	1	254	205065	1	345	191623	1	345	191623	1
25	987395	1	75	978870	1	255	698504	1	346	987105	1	346	987105	1
26	303845	1	76	278870	1	258	257909	1	347	936245	1	347	936245	1
27	303845	1	77	558496	1	259	240135	1	348	511480	1	348	511480	1
28	988375	1	78	134120	1	274	978870	1						
29	978870	2	79	723776	2	275	981970	1	501	263799	1	501	263799	1
30	169088	1	80	976547	1	276	744820	1	503	271472	1	503	271472	1
31	958402	1	81	791760	1	280	289120	1	504	585725	1	504	585725	1
32	630195	1	82	132026	1	281	942445	1	505	561530	1	505	561530	1
33	744045	1	83	306500	1	284	949420	1	506	691300	1	506	691300	1
34	977650	1	84	994860	1	287	790630	1	507	758808	1	507	758808	1
35	683595	1	85	477946	1	289	932350	1	508	771820	1	508	771820	1
36	130245	1				290	260750	1	509	921000	1	509	921000	1
37	664000	1	108	968920	1	292	630700	1	510	164904	1	510	164904	1
38	685519	1	109	854100	1	293	969950	1	511	766007	1	511	766007	1
39	527045	1	131	648720	1	294	507670	1	512	787000	1	512	787000	1
40	300745	1	133	307720	1	297	306500	1	513	390001	1	513	390001	1
41	357320	1	139	114745	1	298	340516	1	514	694500	1	514	694500	1
42	961045	1	140	774270	1									
43	918420	1	141	534020	1	301	956843	1						
44	747920	1	142	512450	1	302	546938	1						
45	991270	1	143	986620	1	307	335815	1						
46	176000	1	144	750600	1	309	217930	1						
47	129470	1	145	291445	1	310	129627	1						
48	942445	1	146	285245	1	311	288725	1						
49	159190	1	147	214720	1	312	276768	1						
50	279921	1	152	285245	1	313	288725	1						



KALAMAZOO MACHINE TOOL

C 315/350

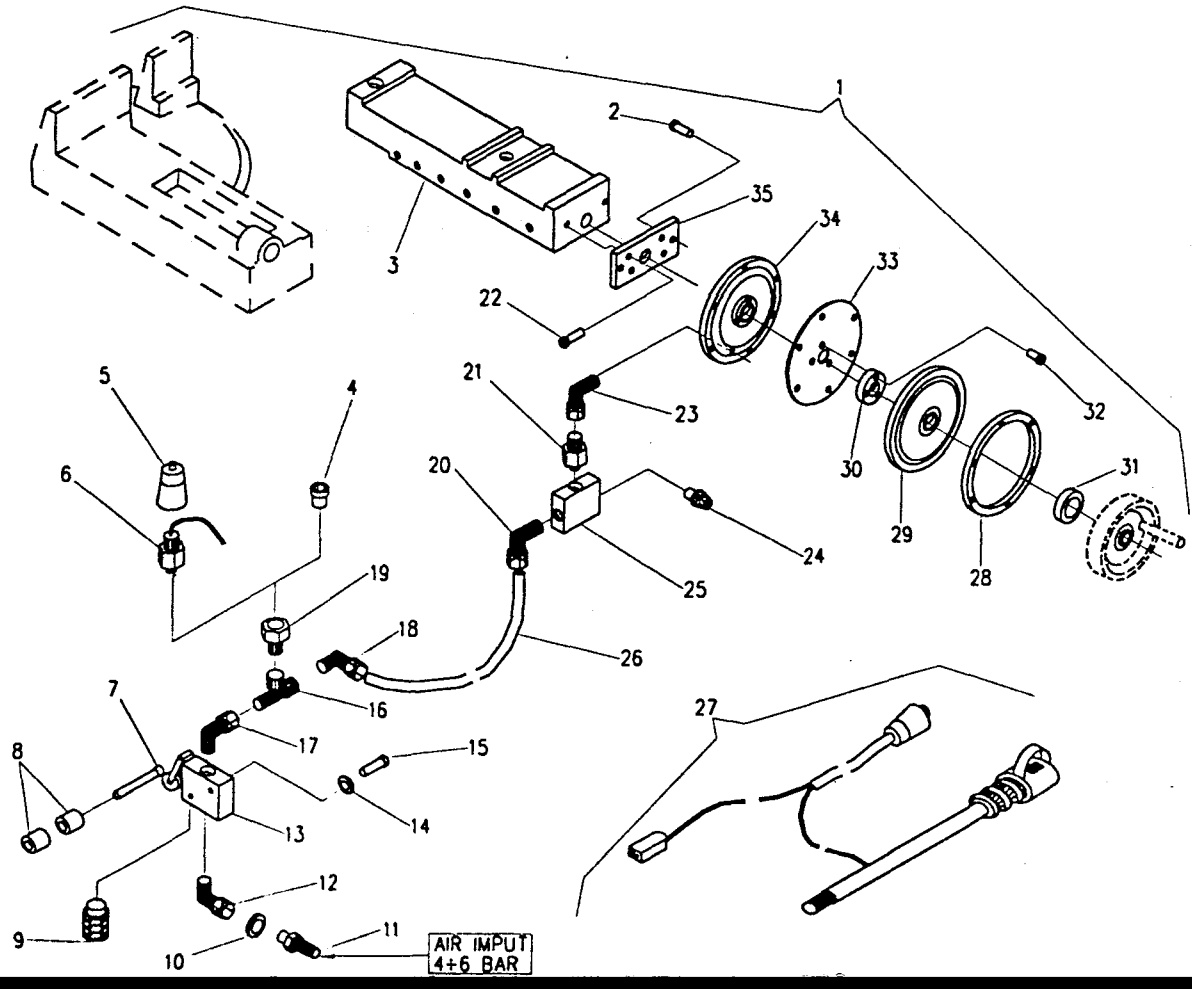
Diseg. RCD Dis. N R10143A2



DOUBLE VICE RECORD 315/350

OPTIONAL

PNEUMATIC VICE RECORD 315/350



KALAMAZOO MACHINE TOOL



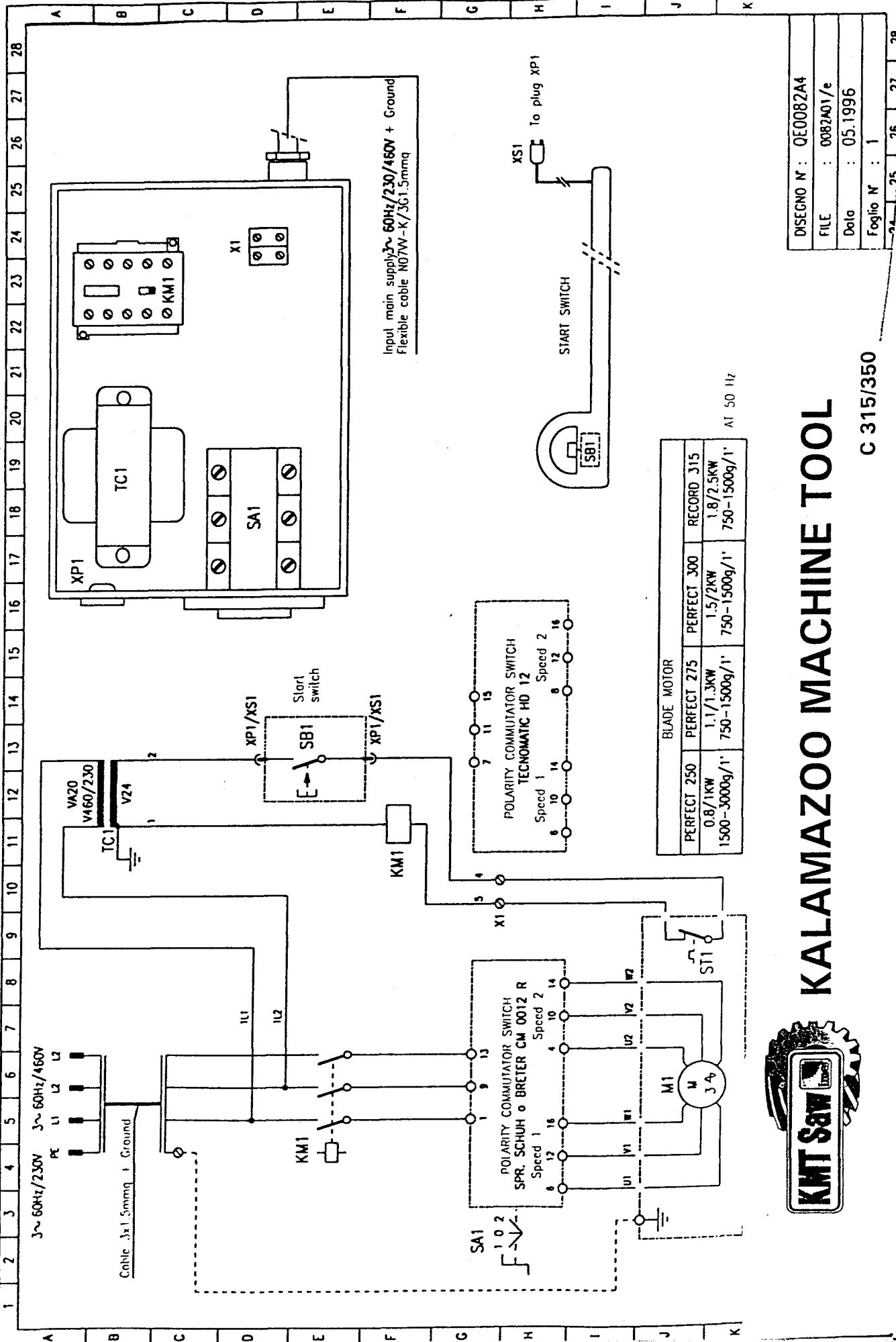
N° COD	DESCRIPTION	Q. N° COD	DESCRIPTION	Q. N° COD	DESCRIPTION	Q. N° COD	DESCRIPTION	Q. N° COD	DESCRIPTION
1	558498	1	51 978095	1					
2	978870	1	52 979645	1					
3	183227	1	53 471713	1					
4	864825	1	54 942445	1					
5	182962	1	55 471713	1					
6	699897	1	56 279921	1					
7	983555	1	57 983893	1					
8	179636	2	58						
9	775918	1	59 741509	1					
10	735520	1	60 957104	1					
11	695995	1	61 693005	1					
12	716465	1	62 477973	1					
13	256570	1	63 477973	1					
14	747052	2	64 677103	2					
15	975923	1	65 984002	1					
16	723120	1	66 184975	1					
17	716465	1	67 513870	3					
18	720020	1	68 537422	3					
19	727514	1	69 279921	1					
20	720795	1	70 790961	1					
21	616170	1	71 735704	1					
22	968795	2	72 306500	1					
23	716145	1	73 943855	1					
24	775943	1	74 943903	1					
25	766643	1	75 910206	1					
26	935470	1	76 158378	1					
27	132693	1	77 558358	1					
28	494805	1							
29	686602	1							
30	494407	1							
31	288097	1							
32	976100	1							
33	507621	1							
34	344684	1							
35	658290	1							



KALAMAZOO MACHINE TOOL

C 315/350

Diseg. RCD Dis. N R10143A2



3~ 60Hz/230V 3~ 60Hz/460V
PE L1 L2 L3

Cable 3x1.5mmq + Ground

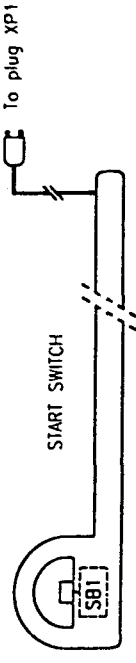
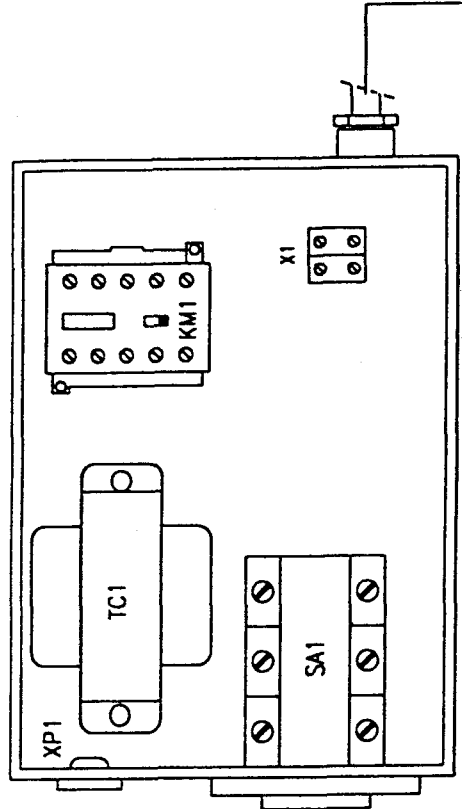
Input main supply 3~ 60Hz/230/460V + Ground
Flexible cable N07W-K/3G1.5mmq

SA1
POLARITY COMMUTATOR SWITCH
SPR. SCHUH o BRETER CM 0012 R
Speed 1 8 10 12 16
Speed 2 4 10 14

POLARITY COMMUTATOR SWITCH
TECNOMATIC HD 12
Speed 1 6 10 14
Speed 2 8 12 16

BLADE MOTOR			
PERFECT 250	PERFECT 275	PERFECT 300	RECORD 315
0.8/1KW 1500-3000g/1'	1.1/1.5KW 750-1500g/1'	1.5/2KW 750-1500g/1'	1.8/2.5KW 750-1500g/1'

AT 50 HZ



KALAMAZOO MACHINE TOOL

C 315/350

DISIGNO N° :	0E0082A4
FILE :	0082A01/e
Data :	05.1996
Foglio N° :	1

24 25 26 27 28

1 2 3 4 5 6 7 8 9 10 11 12 13 14 15 16 17 18 19 20 21 22 23 24 25 26 27 28

REF.	DEVICE	SPECIFICATIONS	FUNCTION	FACTORY	TYPE	ITEM N°	Q.TY
KM1	Control master relay	4KW - 9A - 24Vac	Power circular motor	LOVATO	MC9-10-24	260750	1
				TELEMECANIQUE	LC1-K09-10		1
				SIEMENS	3TF 201E		1
SA1	Polarity commutator switch	3 Poles/16A-3 pos. Δ-0-Y	Set speed circular motor	TECNOMATIC	HD12 X222 R922	257909	1
				BRETER	CM00 12R		1
M1	3 Phase motor	0.8/1KW-1500/3000 g/1'	Circular motor for PERFECT 250	ELETTROADDA	tipo 80 P70	B91715 / V460	1
		1.1/1.3KW-750/1500 g/1'	Circular motor for PERFECT 275	ELETTROADDA	tipo 90 P125	G91516 / V460	1
		1.5/2KW-750/1500 g/1'	Circular motor for PERFECT 300	ELETTROADDA	tipo 90 P135	K91716 / V460	1
		1.8/2.5KW-750/1500 g/1'	Circular motor for RECORD 315	ELETTROADDA	FC100 4/8POLES	585800 / V460	1
		0.8/1KW-1500/3000 g/1'	Circular motor for PERFECT 250	ELETTROADDA	tipo 80 P70	B91711 / V230	1
		1.1/1.3KW-750/1500 g/1'	Circular motor for PERFECT 275	ELETTROADDA	tipo 90 P125	G91714 / V230	1
		1.5/2KW-750/1500 g/1'	Circular motor for PERFECT 300	ELETTROADDA	tipo 90 P135	K91714 / V230	1
		1.8/2.5KW-750/1500 g/1'	Circular motor for RECORD 315	ELETTROADDA	FC100 4/8POLES	585685 / V230	1
TC1	Control circuit transformer	20VA-V230/460 Vo 24 CSA UL	Main auxiliary supply	C.E.	TM VA20 CSA	931220	1
SB1	Pushbutton	6A 250V	Control circular motor	BREMAS	AP 65	520821	1
ST1	Thermal switch	Classe B	Control overcurrent motor	TERMIK			1
XP1	Plug	2 Poles DIN 41529	Connection start switch		PUNTO LINEA	698504	1
XS1	Receptacle	2 Poles DIN 41529	Connection start switch		PUNTO LINEA	204504	1
X1	Terminal block	Scz. 1.5mmq.	Connection thermal switch	K.E.	35038+35004	182942+182945	2



KALAMAZOO MACHINE TOOL

C 315/350

DISGNO N°	: QEO082A4
FILE	: 0082A02/e
Data	: 05.19965
Foglio N°	: 2

24 25 26 27 28

To POT. 699748

