

KALAMAZOO MACHINE TOOL

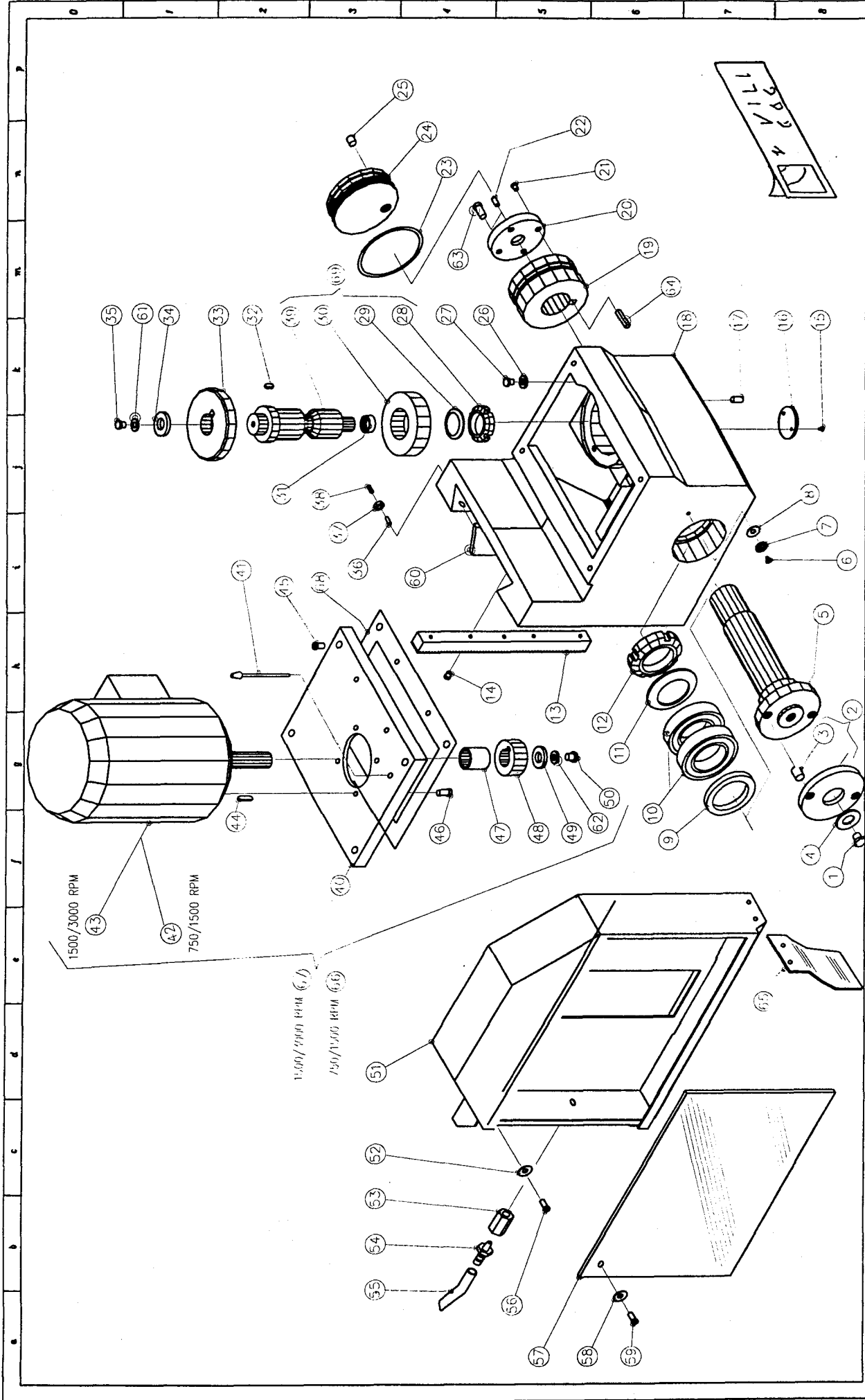
C 316



N°	#	DESCR.	Q	N°	#	DESCR.	Q	N°	#	DESCR.	Q	N°	#	DESCR.	Q
201	536675		1	251	537422							301	725445		1
202	984141		2	252	790961							302	134120		1
203	632788		1	253	495868							303	726955		1
204	793203		1	254								304	974100		1
205	983916		2									305	747145		1
206	975898		3									306	658505		1
207	791945		2									307	941319		1
208	307810		1									308			1
209	994600		1	259	729806							309			
210	307810		1	260	179458							310			
211	994600		1	261	729831							311			
212	683211		1	262	976548							312			
213	613506		1	263	751900							313			
214	791760		2	264	748695							314			
215	975810		4									315			
216	143004		1									316			
217	280022		1									317			
218	976095		2									318			
219	478448		1									319			
220	979645		1									320			
221	478344		1	271	U72983							321			
222	791351		2	272								322			
223	546969		4	273	330970							323			
224	943681		1	274	331925							324			
225	168997		1	275								325			
226	982745		4	276	935493							326			
227	911018		1	277	694925							327			
228	558663		1	278								328			
229	656897		1	279	306500							329			
230	787445		1	280	976545							330			
231	279160		1	281	331427							331			
232	851820		1	282	510200							332			
233	279150		1	283	697836							333			
234	538523		1	284	976545							334			
235	929296		1	285	940895							335			
236	968020		2	286	307930							336			
237	747145		1									337			
238			1	288	941080							338			
239	735602		1	289	936473							339			
240	166823		1	290	228350							340			
241	306500		8	291	977650							341			
242	943607		8	292	228415							342			
243				293								343			
244				294								344			
245	957159		1	295								345			
246				296								346			
247				297								347			
248				298								348			
249				299								349			
250	513870		3	300								350			



KALAMAZOO MACHINE TOOL



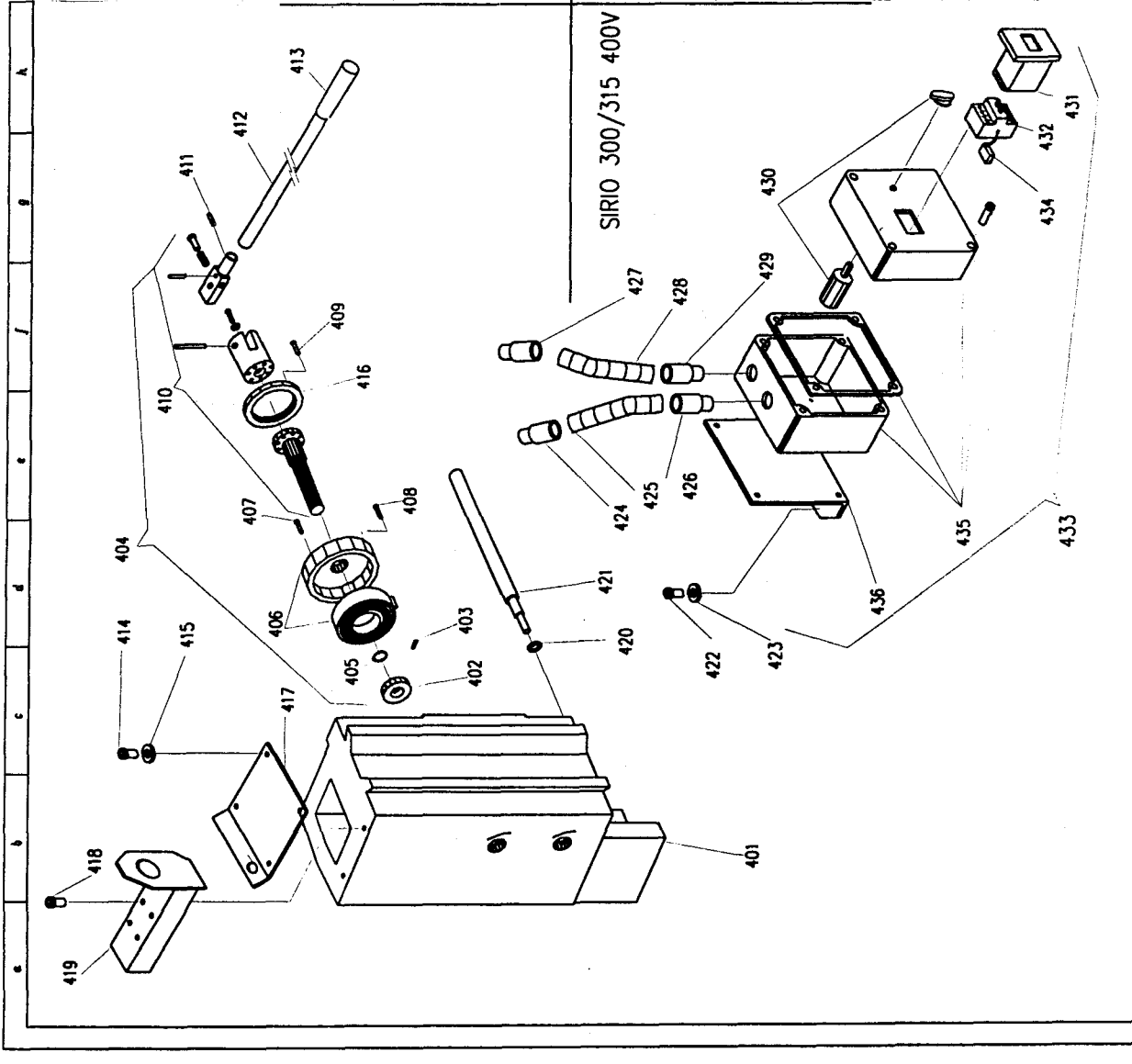
KALAMAZOO MACHINE TOOL

C-316

N°	#	DESCR.	Q	N°	#	DESCR.	Q	N°	#	DESCR.
1	988564		1	51	191702		1	101		
2	U34843		1	52	744045		2	102		
3	791545		2	53	755995		1	103		
4	546938		1	54	694925		1	104		
5	111669		2	55	935493		m	105		
6	966470		1	56	977650		1	106		
7	737835		1	57	792445		1	107		
8	736030		1	58	744045		1	108		
9	129753		1	59	977650		1	109		
10	283102		2	60	280160		1	110		
11	750165		1	61	745780		1	111		
12	497255		1	62	745780		1	112		
13	276699		1	63	958844		1	113		
14	976545		5	64	218720		1	114		
15	966470		2	65	729815		1	115		
16	265867		1	66	U59030		1	116		
17	943681		1	67	U59132		1	117		
18	928310		1	68	510280		1	118		
19	276620		1	69	U95880		1	119		
20	745188		1	70	331925		1	120		
21	978870		2	71				121		
22	941482		1	72				122		
23	119630		1	73				123		
24	265865		1	74				124		
25	865936		1	75				125		
26	749470		1	76				126		
27	995090		2	77				127		
28	497200		1	78				128		
29	750159		1	79				129		
30	292285		1	80				130		
31	280765		1	81				131		
32	216490		1	82				132		
33	762100		1	83				133		
34	741725		1	84				134		
35	995090		2	85				135		
36	138300		5	86				136		
37	307720		5	87				137		
38	944607		1	88				138		
39	958805		1	89				139		
40	265860		1	90				140		
41	865382		1	91				141		
42	589500		1	92				142		
43	589120		1	93				143		
44	217045		1	94				144		
45	978870		4	95				145		
46	978870		4	96				146		
47	322135		1	97				147		
48	958818		1	98				148		
49	741725		1	99				149		
50	995145		1	100				150		



KALAMAZOO MACHINE TOOL

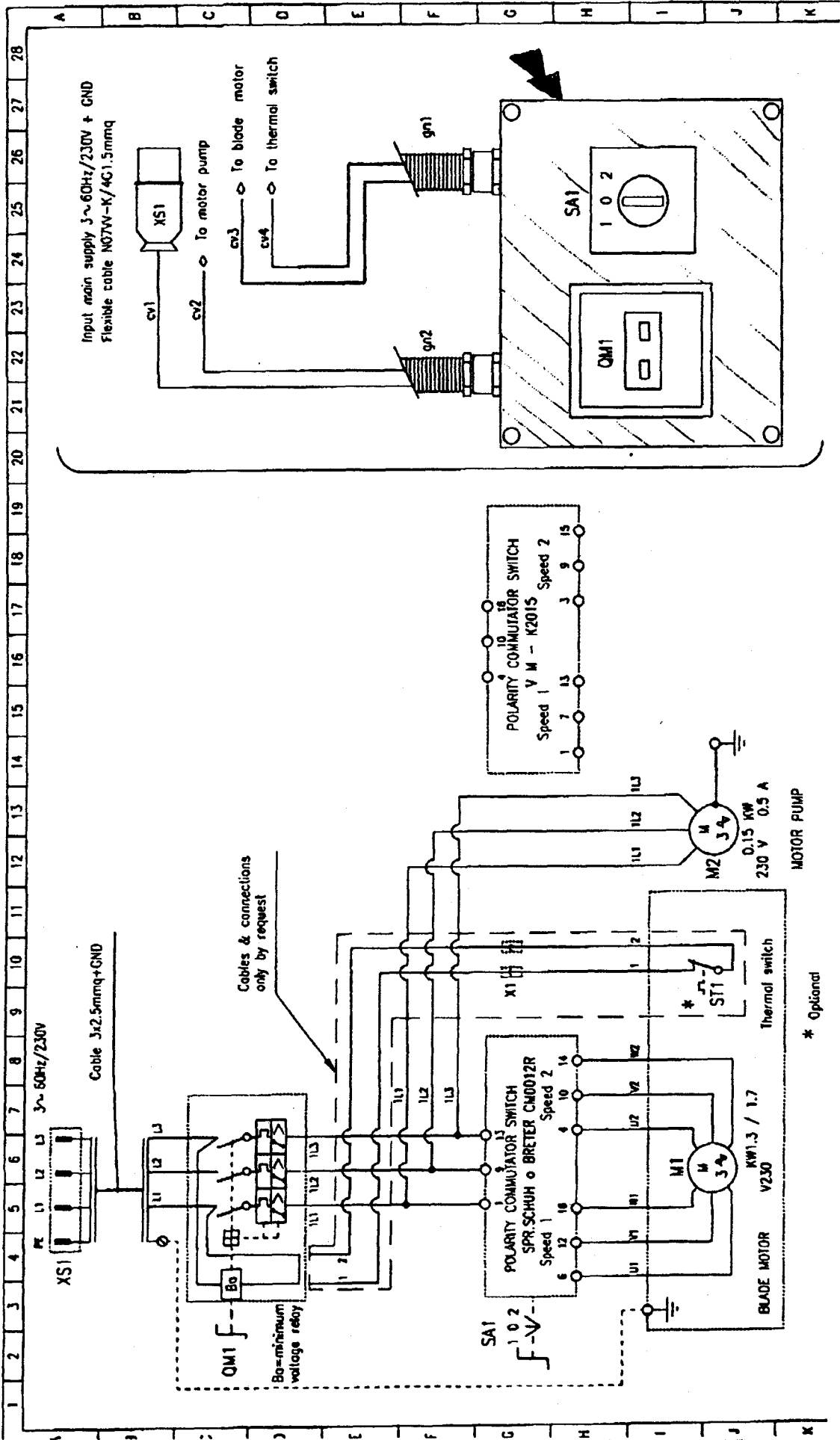


KALAMAZOO MACHINE TOOL

N°	#	DESCR.	Q	N°	#	DESCR.	Q	N°	#	DESCR.	Q	N°	#	DESCR.	Q
401	549580		1	51				101							
402	762068		1	52				102							
403	791202		1	53				103							
404	U77308		1	54				104							
405	127901		1	55				105							
406	201440		1	56				106							
407	977650		2	57				107							
408	982745		3	58				108							
409	976545		3	59				109							
410	507375		1	60				110							
411	943995		1	61				111							
412	132944		1	62				112							
413	513095		1	63				113							
414	978095		4	64				114							
415	749470		4	65				115							
416	713003		1	66				116							
417	522578		1	67				117							
418	978095		1	68				118							
419	493235		1	69				119							
420	749577		1	70				120							
421	134327		1	71				121							
422	978095		2	72				122							
423	749470		2	73				123							
424	718859		1	74				124							
425	507386		m	75				125							
426	718859		1	76				126							
427	718857		1	77				127							
428	507392		m	78				128							
429	718857		1	79				129							
430	257909		1	80				130							
431	764666		1	81				131							
432	764555		1	82				132							
433	253656		1	83				133							
434	164803		1	84				134							
435	770695		1	85				135							
436	522571		1	86				136							
437	520162		1	87				137							
438	257765		1	88				138							
439	520140		1	89				139							
440	251230		1	90				140							
441	251002		1	91				141							
442			1	92				142							
443			1	93				143							
444			1	94				144							
445			1	95				145							
446			1	96				146							
447			1	97				147							
448			1	98				148							
449			1	99				149							
450			1	100				150							



KALAMAZOO MACHINE TOOL



KALAMAZOO MACHINE TOOL

C 316

* Optional

REF.	DEVICE	SPECIFICATIONS	FUNCTION	FACTORY	TYPE	ITEM N°	Q.TY
M1	3Phase motor	1.5/1.7KW-230V 750/1500 RPM	Blade Rotation	ELECTROADDA	FC 90 4/8 Poles	599285	1
M2	3Phase motor	0.15KW/230V	Coolant pump	DMCC	PMU40L P170	331524	1
OM1	Circuit breaker	-	Main circuit breaker	SIEMENS	-	765610	1
OM1	Min. voltage relay	230V 60HZHz	Unhook main circuit	ESG-ELCOTEC	Msm600/25-0.35/007	-	1
OM1	BOX	230- 60HZ		SIEMENS	-	-	1
OM1	Padlock attachment	IP55 rotating device	box for circuit breaker	SIEMENS	JW09133--2J800	-	1
OM1	EMERGENCY rotating knob	IP55 pushing type RED knob on YELLOW parts	Rotating device	ESG-ELCOTEC SIEMENS	ART.NR... JW09133--3EA01	-	1
SA1	Polarity commutator switch	3 Poles/16A-3 Pos. Δ-0-Y-Y	Setting speed blade motor	MERZ	A151 1005 1504	520218	1
SA1	Polarity commutator switch	3 Poles/16A-3 Pos. Δ-0-Y-Y	Setting speed blade motor	V.M.	K 20 15	257909	1
ST1	Thermal switch (Optional)	Classe B - 13ZC	Overcurrent protection motor cut	TERMIK			1
XS1	Plug	3 Poles+GND EC 309 16A	Connection main supply	LMJE	PE 1665 SV	787000	1
X1	Insulation terminal	Sez. 1.5 mmq	Connection thermal switch	K.E.	35038 + 35004	182942+182945	2
gn1	Flexible tube	PVC 1/2"	Connection motor cut	TEAFLEX	PAS-G178	507392	1
gn2	Flexible tube	PVC 3/4"	Connection main supply and motor pump	TEAFLEX	PAS-G238	507386	1
cv1	Flexible cable	M07W-K 4G1.5mmq.	Connection main supply			205213	1
cv2	Flexible cable	M07W-K 4G1.5mmq.	Connection motor pump			205065	1
cv3	Flexible cable	1x1.5 mmq	Connection motor cut				6
cv4	Flexible cable	1x1.5 mmq	Connection thermal switch motor cut				2



KALAMAZOO MACHINE TOOL