

KALAMAZOO MACHINE TOOL

Model C360SA

N°	#	DESCR.	Q	N°	#	DESCR.	Q	N°	#	DESCR.	Q
201	536675		1	251	537422		3	301	725445		1
202	984141		2	252	790961		1	302	134120		1
203	632788		1	253	495868		1	303	726955		1
204	793703		1	254			2	304	974100		1
205	983916		2				3	305	747145		1
206	975898		3				2	306	658505		1
207	791945		2				1	307	941319		1
208	307810		1				1	308			1
209	994600		1	259	729806		1	309			1
210	307810		1	260	179458		1	310			1
211	994600		1	261	729831		1	311			1
212	683211		1	262	976548		2	312			1
213	613506		1	263	751900		2	313			1
214	791760		2	264	748695		2	314			1
215	975810		4				1	315			1
216	143004		1				1	316			1
217	260022		1				1	317			1
218	978095		2				1	318			1
219	478448		1				1	319			1
220	979645		1				1	320			1
221	478344		1				1	321			1
222	791351		2	271	072983		1	322			1
223	546969		4	272			1	323			1
224	943681		1	273	330970		3	324			1
225	168997		1	274	331925		1	325			1
226	982745		4	275			m	326			1
227	911018		1	276	935493		1	327			1
228	558663		1	277	694925		1	328			1
229	656897		1	278			1	329			1
230	787445		1	279	306500		4	330			1
231	279160		1	280	976545		1	331			1
232	851820		1	281	331427		1	332			1
233	279150		1	282	510200		1	333			1
234	585523		1	283	697836		2	334			1
235	929296		1	284	976545		1	335			1
236	968020		2	285	940895		4	336			1
237	747145		1	286	307930		1	337			1
238			1	288	941080		1	338			1
239	735602		1	289	936473		m	339			1
240	166823		1	290	228350		2	340			1
241	306500		8	291	977650		1	341			1
242	943807		8	292	228415		1	342			1
243			1	293			1	343			1
244			1	294			1	344			1
245	957159		1	295			1	345			1
246			1	296			1	346			1
247			1	297			1	347			1
248			1	298			1	348			1
249			1	299			1	349			1
250	513870		3	300			1	350			1

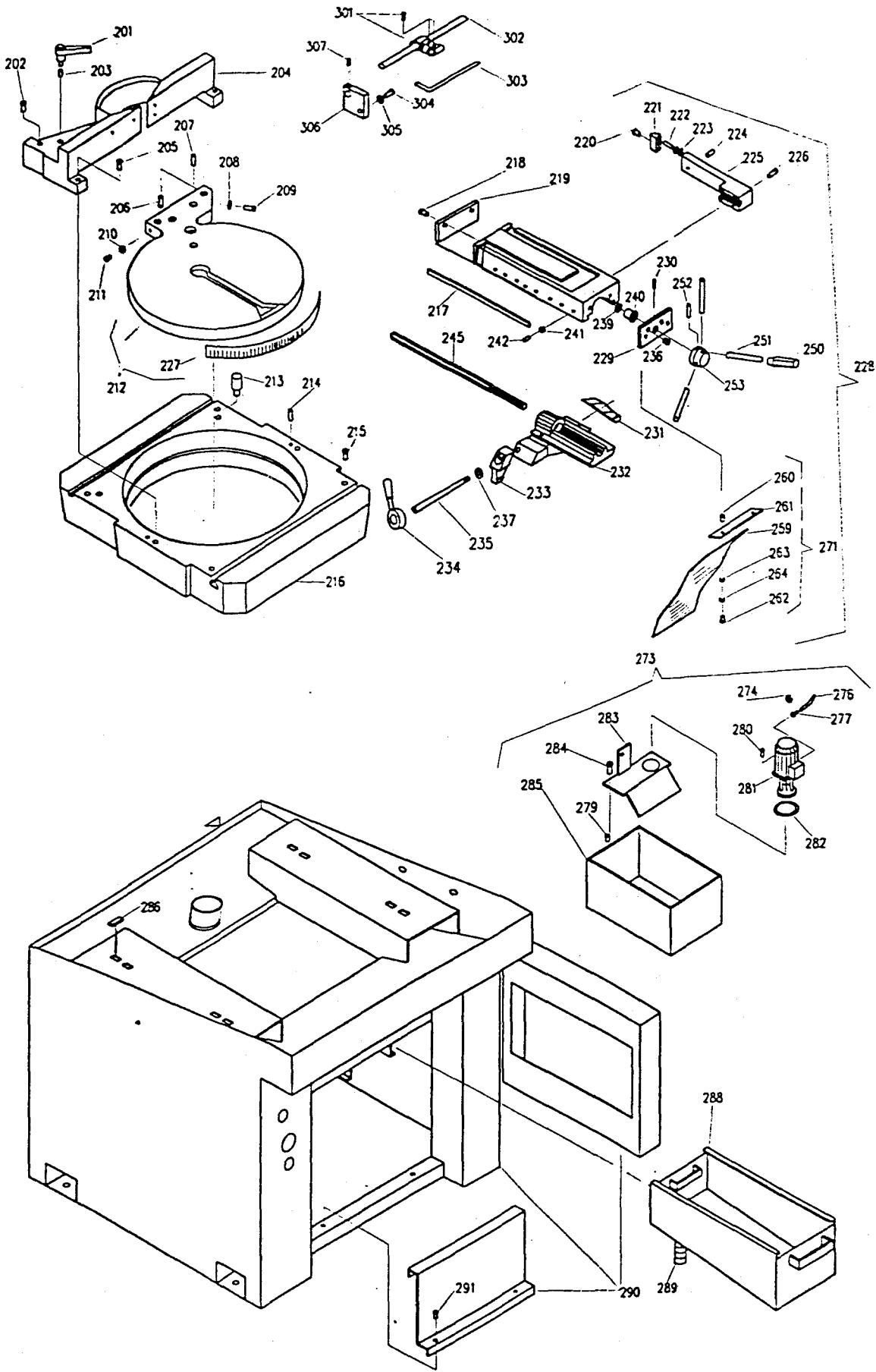


KALAMAZOO MACHINE TOOL

Model C360SA

Model C360SA

KALAMAZOO MACHINE TOOL

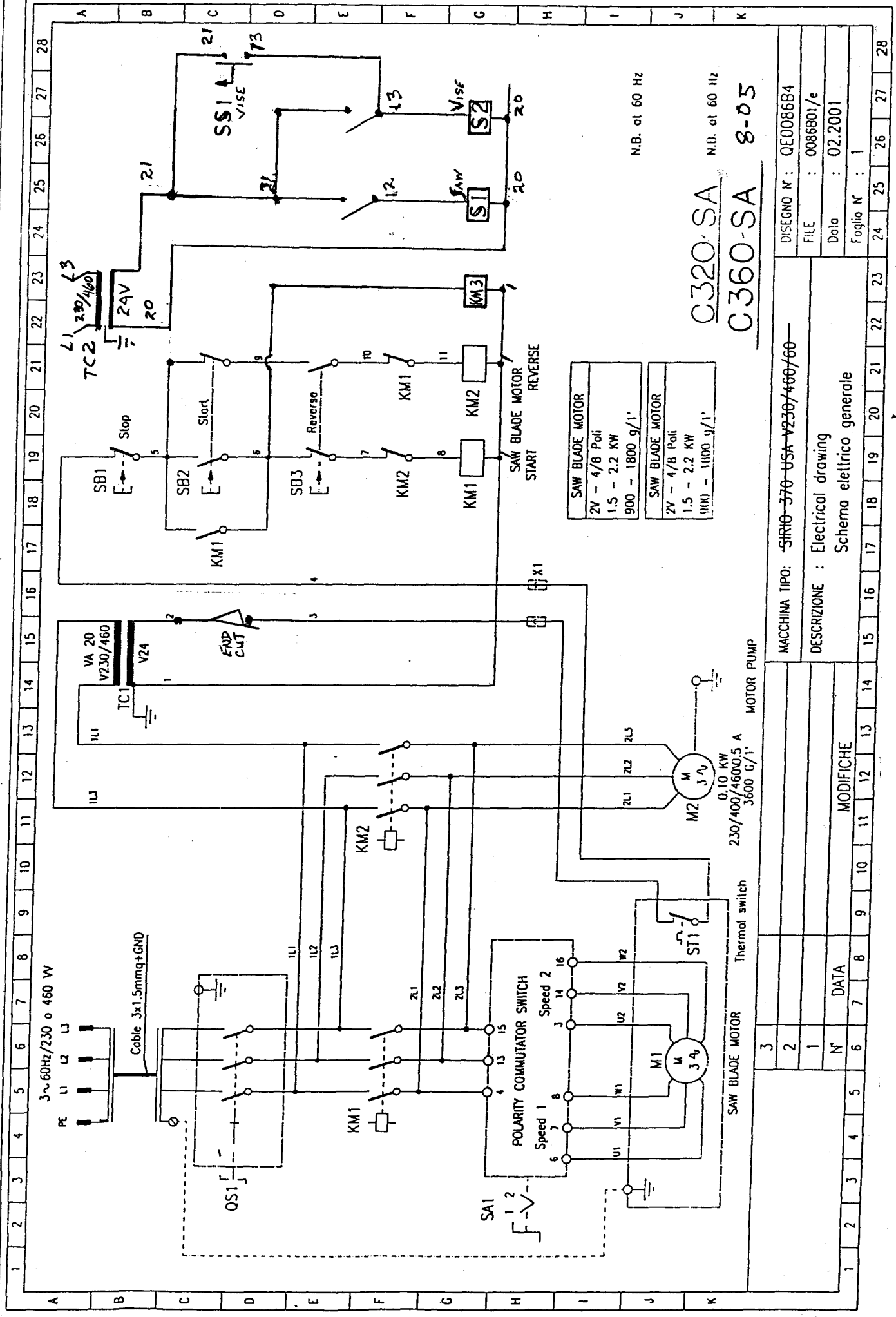


N°	#	DESCR.	Q	N°	#	DESCR.	Q	N°	#	DESCR.	Q
401	988564		1	451	750011		1	501	589288		1
402	546938		1	452	978870		1	502	U58844		1
403	U34843		1	453	945545		1	503	960422		1
404	791545		1	454	307720		1	504	U96022		1
405	129362		1	455	138300		1	505	276682		1
406	283070		1	456	945545		1	506			1
407	283020		1	457	276699		1	507			1
408	750185		1	458	976545		1	508			1
409	497483		1	459	522407		1	509			1
410	111640		1	460	865725		1	510			1
411	322055		1	461	587529		1	511			1
412	968970		1	462	218000		1	512			1
413	736985		1	463	630540		1	513			1
414	167265		1	464	749470		1	514			1
415	547200		1	465	658150		1	515			1
416	747920		2	466	970248		2	516			1
417	978095		2	467	322145		2	517			1
418	265866		1	468	707262		1	518			1
419	966470		4	469	742431		4	519			1
420	744500		2	470	750040		2	520			1
421	694087		1	471	984258		1	521			1
422	943681		1	472	U58800		1	522			1
423	928404		1	473	968795		1	523			1
424	139650		1	474	785768		1	524			1
425	218720		1	475	647030		1	525			1
426	276685		1	476	286020		1	526			1
427	499820		1	477	863180		1	527			1
428	119828		1	478	286020		1	528			1
429	265866		1	479	127655		1	529			1
430	865936		1	480	652390		1	530			1
431	786300		1	481	U78576		1	531			1
432	223110		1	482	935493		1	532			1
433	652543		2	483	331925		2	533			1
434	946490		2	484	694925		2	534			1
435	497200		1	485	755995		1	535			1
436	750159		1	486	939943		1	536			1
437	349380		1	487	978095		1	537			1
438	292285		1	488	744045		1	538			1
439	282590		1	489	698303		1	539			1
440	960400		1	490	978870		1	540			1
441	322035		1	491	797735		1	541			1
442	128120		1	492	978095		1	542			1
443	129760		1	493	192060		1	543			1
444	327133		1	494	630580		1	544			1
445	218000		1	495	977485		1	545			1
446	707263		1	496	522397		1	546			1
447	750159		1	497	970200		1	547			1
448	497110		1	498	792336		1	548			1
449	U96000		1	499	515753		1	549			1
450	745288		4	500	943960		4	550			1



KALAMAZOO MACHINE TOOL

Model C360SA



SAW BLADE MOTOR
2V - 4/8 Poli
1.5 - 2.2 KW
900 - 1800 g/1'
SAW BLADE MOTOR
2V - 4/8 Poli
1.5 - 2.2 KW
(1000) - 11000 g/1'

N.B. of 60 Hz
N.B. of 60 Hz

C320-SA
C360-SA 8-05

DISIGNO N°	QE008684
FILE	: 0086801/e
Data	: 02.2001
Foglio N°	: 1

MACCHINA TIPO: SFR0-370-USA-V230/460/60
DESCRIZIONE : Electrical drawing
Schema elettrico generale

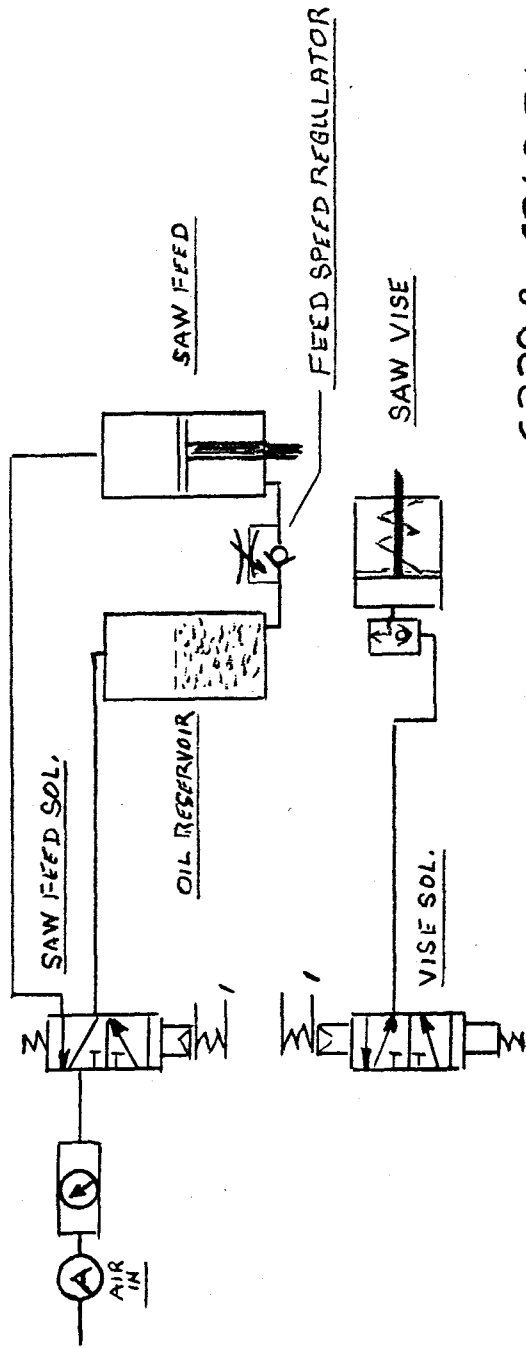
MOTOR PUMP
0.10 KW
230/400/460V 0.5 A
3600 G/1'

SAW BLADE MOTOR
Thermal switch
3.4V

MODIFICHE

N° DATA

1	2	3	4	5	6	7	8	9	10	11	12	13	14	15	16	17	18	19	20	21	22	23	24	25	26	27	28
---	---	---	---	---	---	---	---	---	----	----	----	----	----	----	----	----	----	----	----	----	----	----	----	----	----	----	----



C320 & C360 SA
PNEUMATIC

12-04

MILWAUKEE MACHINE TOOL
BEST QUALITY WAY
PORTLAND, ME 04106