

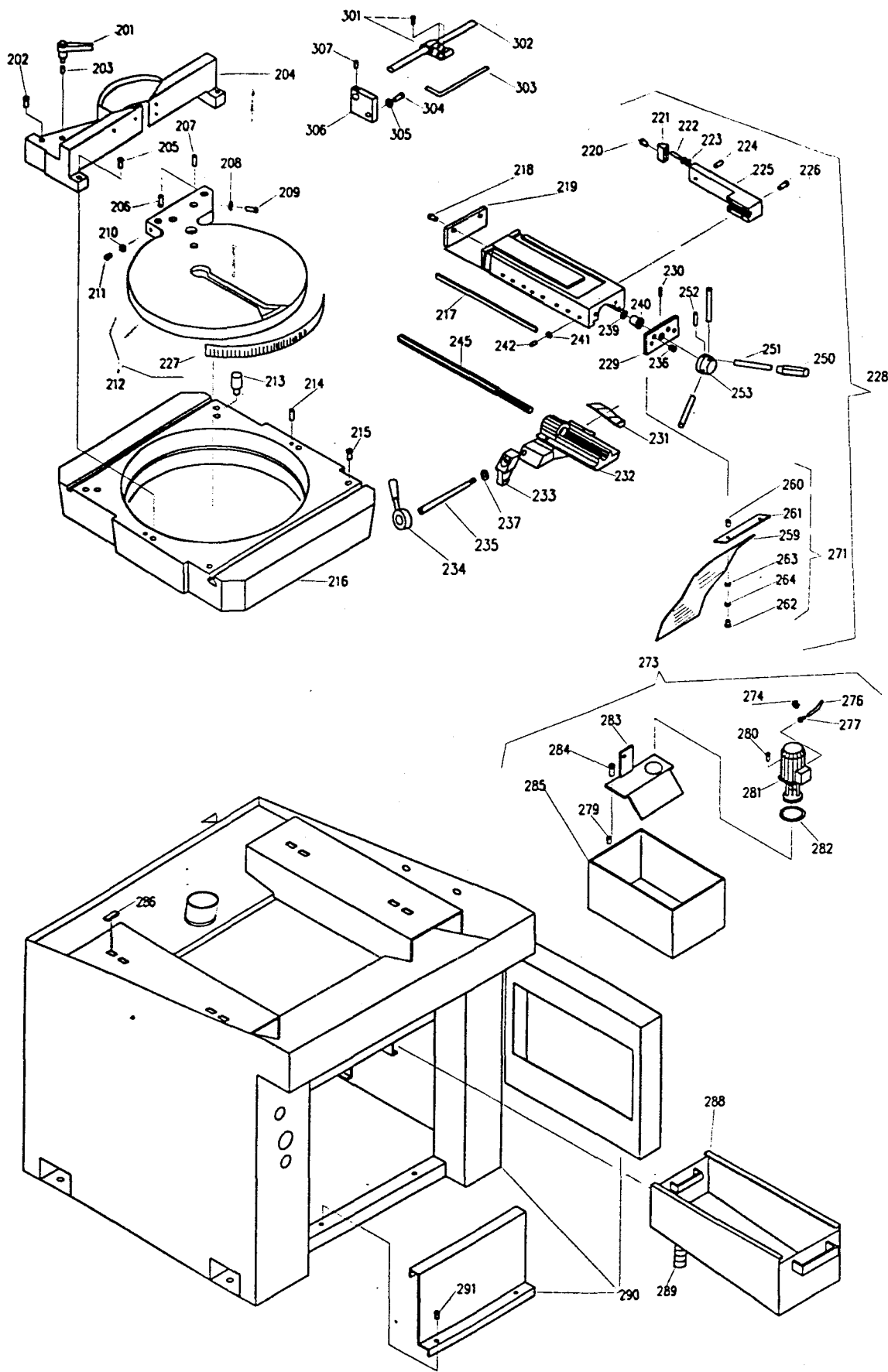
Model C 370  
C 370 AV

# KALAMAZOO MACHINE TOOL



Model C 370  
C 370 AV

# KALAMAZOO MACHINE TOOL



N°	#	DESCR.	Q	N°	#	DESCR.	Q	N°	#	DESCR.	Q	N°	#	DESCR.	Q
201	536675		1	251	537422		1	301	725445		3	301	725445		1
202	984141		2	252	790961		2	302	134120		1	302	134120		1
203	632788		1	253	495868		1	303	726955		1	303	726955		1
204	793203		1	254			1	304	974100		1	304	974100		1
205	983916		2				2	305	747145		1	305	747145		1
206	975898		3				3	306	658505		1	306	658505		1
207	791945		2				2	307	941319		1	307	941319		1
208	307810		1				1	308			1	308			1
209	994600		1	259	729806		1	309			1	309			1
210	307810		1	260	179458		1	310			2	310			2
211	994600		1	261	729831		1	311			1	311			1
212	683211		1	262	976548		1	312			2	312			2
213	613506		1	263	751900		1	313			2	313			2
214	791760		2	264	748695		2	314			2	314			2
215	975810		4				4	315			1	315			1
216	143004		1				1	316			1	316			1
217	280022		1				1	317			1	317			1
218	978095		2				2	318			1	318			1
219	478448		1				1	319			1	319			1
220	979645		1				1	320			1	320			1
221	478344		1	271	072983		1	321			1	321			1
222	791351		2	272			2	322			1	322			1
223	546969		4	273	330970		4	323			3	323			3
224	943681		1	274	331925		1	324			m	324			m
225	168997		1	275			1	325			1	325			1
226	982745		4	276	935493		4	326			1	326			1
227	911018		1	277	694925		1	327			1	327			1
228	558663		1	278			1	328			1	328			1
229	656897		1	279	306500		1	329			4	329			4
230	787445		1	280	976545		1	330			1	330			1
231	279160		1	281	331477		1	331			1	331			1
232	851870		1	282	510200		1	332			1	332			1
233	279150		1	283	697836		1	333			1	333			1
234	536523		1	284	976545		1	334			2	334			2
235	929296		1	285	940895		1	335			1	335			1
236	968020		2	286	307930		2	336			4	336			4
237	747145		1				1	337			1	337			1
238			1	288	941080		1	338			1	338			1
239	735602		1	289	936473		1	339			m	339			m
240	166823		1	290	228350		1	340			1	340			1
241	306500		8	291	977650		8	341			2	341			2
242	943807		8	292	228415		8	342			1	342			1
243				293				343				343			
244				294				344				344			
245	957159		1	295			1	345				345			
246				296				346				346			
247				297				347				347			
248				298				348				348			
249				299				349				349			
250	513870		3	300			3	350				350			



# KALAMAZOO MACHINE TOOL

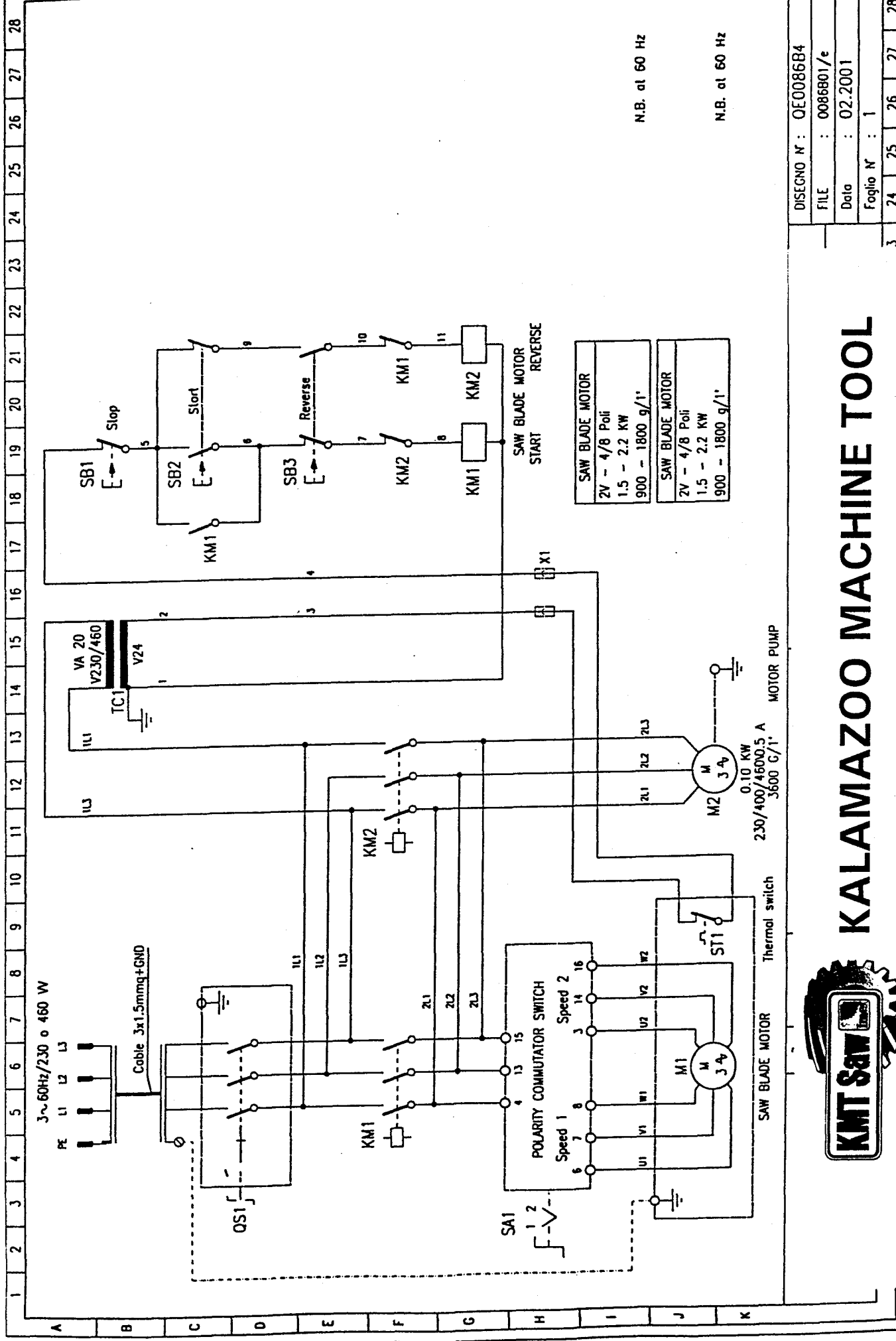
Model C 370  
C 370 AV

N°	#	DESCR.	Q	N°	#	DESCR.	Q	N°	#	DESCR.	Q
401	988564		1	451	750011			501	589288		
402	546938		1	452	978870			502	U58844		
403	U34843		1	453	945545			503	960422		
404	791545		1	454	307720			504	U96022		
405	129362		1	455	138300			505	276682		
406	283020		1	456	945545			506			
407	283020		1	457	276699			507			
408	750185		1	458	976545			508			
409	497483		1	459	522407			509			
410	111640		1	460	865725			510			
411	372055		1	461	587529			511			
412	968920		1	462	218000			512			
413	736985		1	463	630540			513			
414	167265		1	464	749470			514			
415	547200		1	465	658150			515			
416	747920		2	466	970248			516			
417	978095		2	467	322145			517			
418	265866		1	468	707262			518			
419	966470		4	469	742431			519			
420	744500		2	470	750040			520			
421	694087		1	471	984258			521			
422	943681		1	472	U58800			522			
423	928404		1	473	968795			523			
424	139650		1	474	785768			524			
425	218720		1	475	647030			525			
426	276685		1	476	286020			526			
427	499820		1	477	863180			527			
428	119828		1	478	286020			528			
429	265866		1	479	127655			529			
430	865936		1	480	652390			530			
431	786300		1	481	U78576			531			
432	223110		1	482	935493			532			
433	652543		2	483	331925			533			
434	946490		2	484	694925			534			
435	497200		1	485	755995			535			
436	750159		1	486	939943			536			
437	349380		1	487	978095			537			
438	292285		1	488	744045			538			
439	282590		1	489	698303			539			
440	960400		1	490	978870			540			
441	322035		1	491	792735			541			
442	128120		1	492	978095			542			
443	129760		1	493	192060			543			
444	327133		1	494	630580			544			
445	218000		1	495	977485			545			
446	707263		1	496	522397			546			
447	750159		1	497	970200			547			
448	497110		1	498	792336			548			
449	U96000		1	499	515753			549			
450	745288		4	500	943960			550			



# KALAMAZOO MACHINE TOOL

Model C 370  
C 370 AV



N.B. at 60 Hz

N.B. at 60 Hz

DISEGNO N° : OE0086B4

FILE : 0086801/e

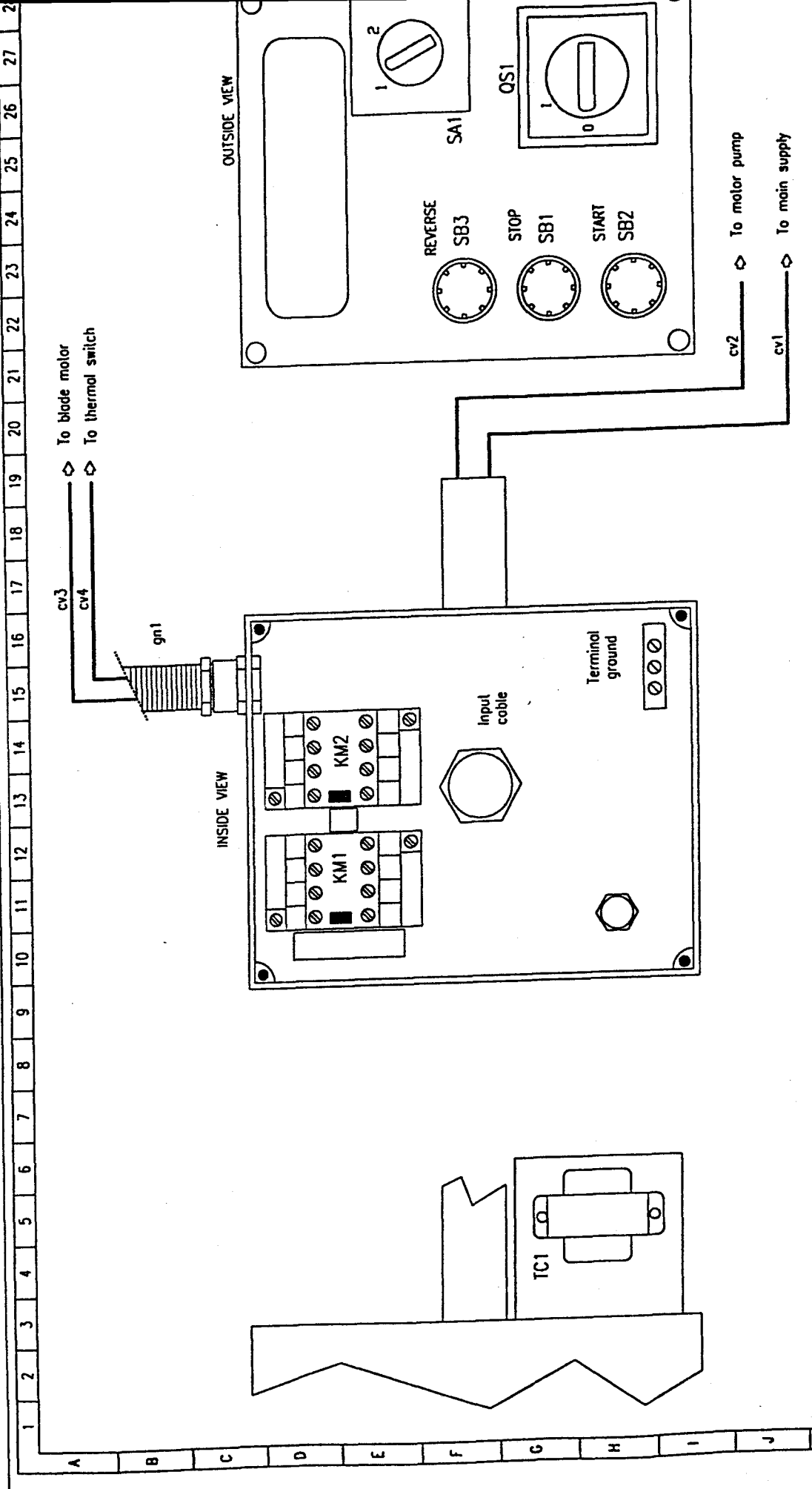
Data : 02.2001

Foglio N° : 1



# KALAMAZOO MACHINE TOOL

C 370



Input main supply 3~ 60Hz/230/460V  
Flexible cable K07W-K/3G1.5mmq.

DISEGNO N° : QE008684	
FILE	: 0086802/c
Data	: 02.2001
Foglio N°	: 2
23	24
25	26
27	27

# KALAMAZOO MACHINE TOOL

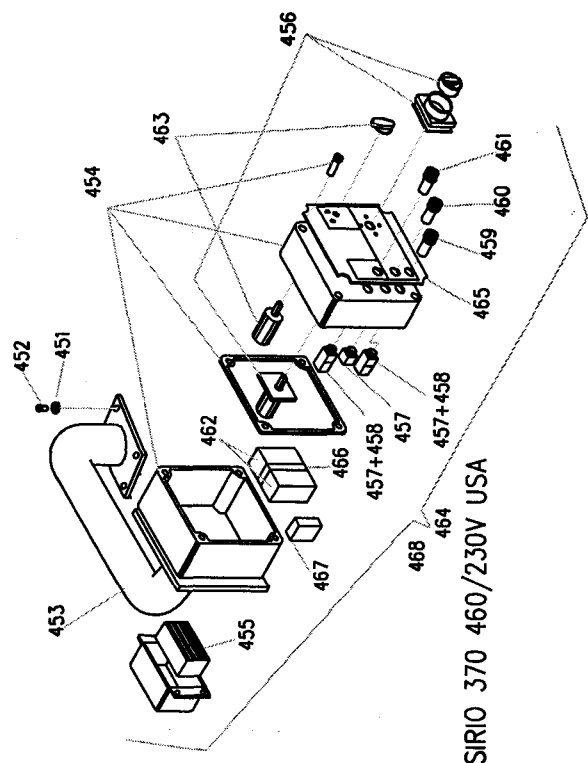
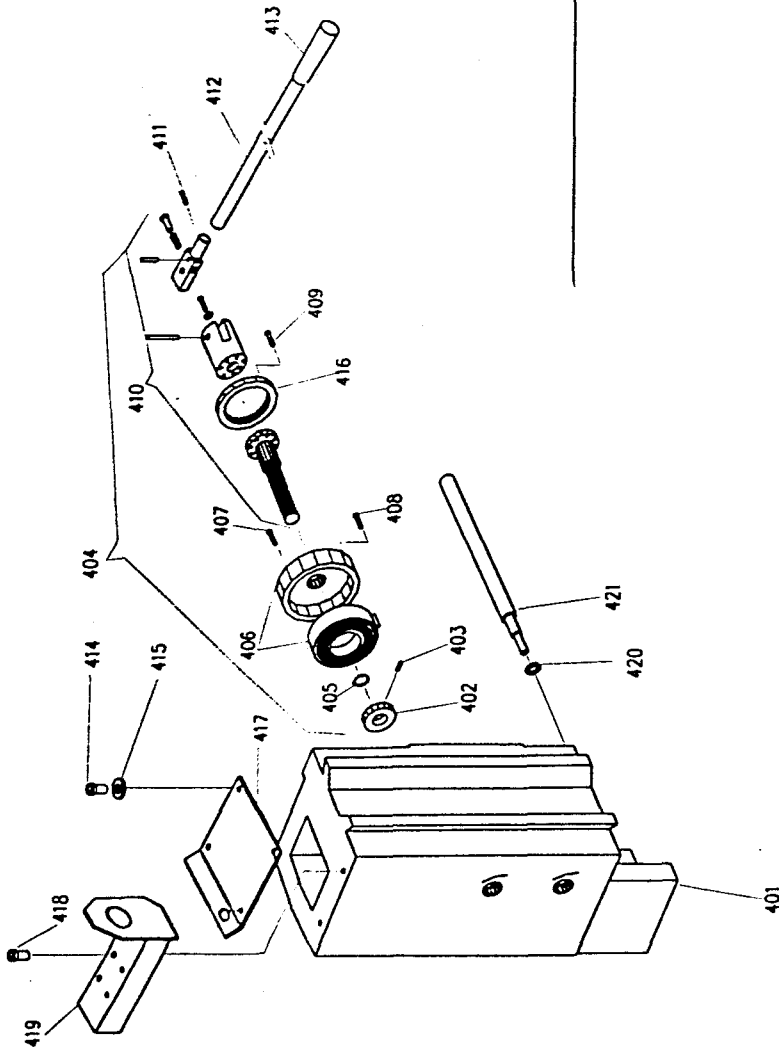


REF.	DEVICE	SPECIFICATIONS	FUNCTION	FACTORY	TYPE	ITEM N°	Q.TY
KM1	Master control relay	4KW - 12A - 24Voc	BLADE MOTOR - Forward	LOVATO	BF12-01 24V	260783	1
KM2	Master control relay	4KW - 12A - 24Voc	BLADE MOTOR - Reverse	LOVATO	BF12-01-24V	260783	1
KM1	Auxiliary contact	1NO + 1NC 12A	BLADE MOTOR	LOVATO	G218 + G280	260600	1+1
KM1	Coupling/Auxiliary contact	Plastic fitting	Joint	LOVATO	G223	261001	1
M1	3Phase motor	1.5/2.2 KW-400/460V-	BLADE MOTOR	ELECTROADDA	FC100 4/8 POLES	587529	1
M1	3Phase motor	1.5/2.2 KW-230V/60HZ	BLADE MOTOR	ELECTROADDA	FC100 4/8 POLES	587533	1
M2	3Phase motor	0.10KW/400V/3000g/1"	Coolant pump motor	SAMEC	AST30 P150	331416	1
OS1	Circuit breaker	4P/16A 600V	Main circuit breaker	TECNOMATIC	G20 B A400	HD1603R441	1
SA1	Polarity commutator switch	3 Poles/16A - without zero Y	Selecting blade speed	TECNOMATIC	HD12X207AR922	258610	1
SB1	Pushbutton - Black	Serie #22 + 1 NC	Stop circular motor	BRETER	RM010N + 1 V40	708395+260231	1+1
SB2	Pushbutton - White	Serie #22 + 1 NC + 1 NO	Start circular motor	BRETER	RM010/P22804B +	708395+	
SB3	Pushbutton - Yellow	Serie #22 + 1 NC + 1 NO	Reverse circular motor	BRETER	V40 + V50	+260231+260397	1+1+
ST1	Bimetallic NC Thermal switch	Classe B	Overload blade motor protection	TERMIK	RM010/P22804G +	708703	
TC1	Control circuit transformer	20VA-VI 230/460-Vu 24 UL-CSA	Main auxiliary supply	C.E.	V 40 + V50	+260231+260397	1+1+
X1	Insulation terminal	Sez: 1.5mmq			TM VA20 CSA	931220	1
gn1	Flexible tube	1/2" length 80 cm	Connection thermal switch	K.E.	350.38+35004	182942+182945	2
cv1	Flexible cobe	N07W-K 4G1.5mmq.	Blade Motor Connection	TEAFLEX	PAS-G17B	507392	1
cv2	Flexible cobe	N07W-K 4G1.5mmq.	Connection main supply			205065	1
cv3	Flexible cobe	1 x 1.5mmq.	Connection motor pump			205065	1
cv4	Flexible cobe	1 x 1.5mmq.	Connection circular motor				6
			Connection thermal switch circular motor				2

DISEGNO N° : QE008684  
 FILE : 0086803/e  
 Data : 02.2001  
 Foglio N° : 3



# KALAMAZOO MACHINE TOOL



SIRIO 370 460/230V USA



# KALAMAZOO MACHINE TOOL

Model C 370  
C 370 AV

N°	#	DESCR.	Q	N°	#	DESCR.	Q	N°	#	DESCR.	Q	N°	#	DESCR.	Q
401	549580		1	51				101							
402	762068		1	52				102							
403	791202		1	53				103							
404	U77308		1	54				104							
405	127901		1	55				105							
406	201440		1	56				106							
407	977650		2	57				107							
408	982745		3	58				108							
409	976545		3	59				109							
410	507375		1	60				110							
411	943995		1	61				111							
412	132944		1	62				112							
413	513095		1	63				113							
414	978095		4	64				114							
415	749470		4	65				115							
416	713003		1	66				116							
417	522578		1	67				117							
418	978095		1	68				118							
419	493235		1	69				119							
420	749577		1	70				120							
421	134327		1	71				121							
422	978095		2	72				122							
423	749470		2	73				123							
424	718859		1	74				124							
425	507386		m	75				125							
426	718859		1	76				126							
427	718857		1	77				127							
428	507392		m	78				128							
429	718857		1	79				129							
430	257909		1	80				130							
431	764666		1	81				131							
432	764555		1	82				132							
433	253656		1	83				133							
434	164803		1	84				134							
435	770695		1	85				135							
436	522571		1	86				136							
437	520162		1	87				137							
438	257765		1	88				138							
439	520140		1	89				139							
440	251230		1	90				140							
441	251002		1	91				141							
442			1	92				142							
443			1	93				143							
444			1	94				144							
445			2	95				145							
446			1	96				146							
447			1	97				147							
448			1	98				148							
449			1	99				149							
450			1	100				150							



# KALAMAZOO MACHINE TOOL

Model C 370  
C 370 AV