

KALAMAZOO MACHINE TOOL

C'370 SA-V

Dis N R10037B2

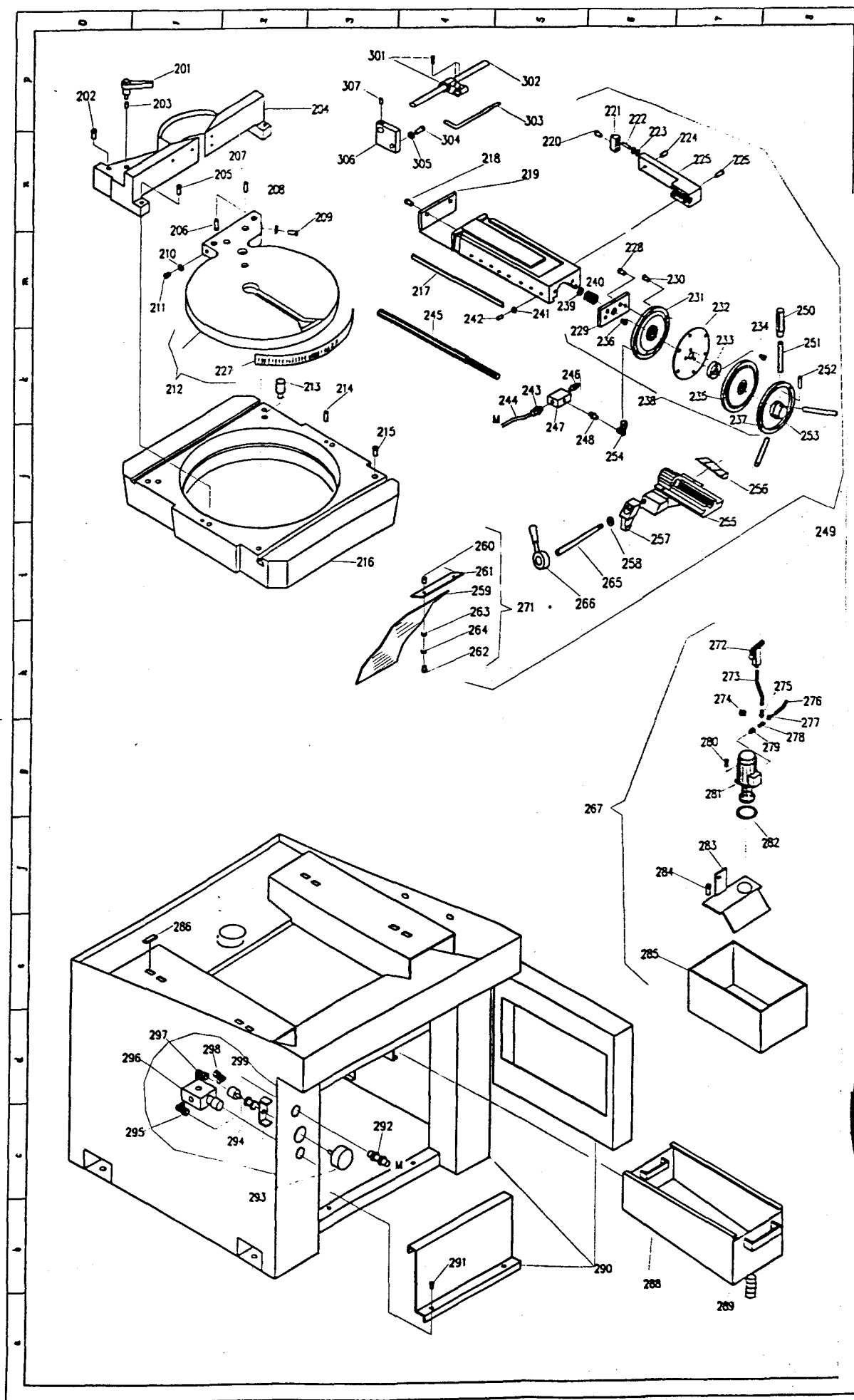
| N° | # | DESCR. | Q | N° | # | DESCR. | Q | N° | # | DESCR. | Q | N° | # | DESCR. | Q | N° | # | DESCR. |
|----|--------|--------|---|-----|--------|--------|---|-----|---------|--------|----|-----|---------|--------|----|-----|---------|--------|
| 1 | 558810 | | 1 | 51 | 695115 | | 1 | 101 | 258610 | | 1 | 101 | 258610 | | 1 | 101 | 258610 | |
| 2 | 390010 | | 2 | 52 | 716145 | | 2 | 102 | 712000 | | 1 | 102 | 712000 | | 1 | 102 | 712000 | |
| 3 | 260795 | | 1 | 53 | 354040 | | 2 | 103 | | | 1 | 103 | | | 1 | 103 | | |
| 4 | 260750 | | 2 | 54 | | | 2 | 104 | | | 1 | 104 | | | 1 | 104 | | |
| 5 | 260820 | | 1 | 55 | 944204 | | 1 | 105 | 709285 | | 1 | 105 | 709285 | | 1 | 105 | 709285 | |
| 6 | 559092 | | 5 | 56 | 749470 | | 5 | 106 | 728800 | | 1 | 106 | 728800 | | 1 | 106 | 728800 | |
| 7 | 331699 | | 1 | 57 | 715370 | | 1 | 107 | 327209 | | 1 | 107 | 327209 | | 1 | 107 | 327209 | |
| 8 | 260175 | | 1 | 58 | 182480 | | 1 | 108 | 918600 | | 4 | 108 | 918600 | | 4 | 108 | 918600 | |
| 9 | 695115 | | 1 | 59 | 978870 | | 1 | 109 | XV91865 | | 2 | 109 | XV91865 | | 2 | 109 | XV91865 | |
| 10 | 734694 | | 3 | 60 | 597270 | | 3 | 110 | AS7280 | | 2 | 110 | AS7280 | | 2 | 110 | AS7280 | |
| 11 | 943681 | | 1 | 61 | 169458 | | 1 | 111 | V32785 | | 1 | 111 | V32785 | | 1 | 111 | V32785 | |
| 12 | 788220 | | 1 | 62 | 742100 | | 1 | 112 | 550687 | | 2 | 112 | 550687 | | 2 | 112 | 550687 | |
| 13 | 513739 | | 1 | 63 | 970286 | | 1 | 113 | 182962 | | 1 | 113 | 182962 | | 1 | 113 | 182962 | |
| 14 | 139934 | | 1 | 64 | 658216 | | 1 | 114 | 93990 | | 1 | 114 | 93990 | | 1 | 114 | 93990 | |
| 15 | 970248 | | 2 | 65 | 220030 | | 2 | 115 | 616170 | | 1 | 115 | 616170 | | 1 | 115 | 616170 | |
| 16 | 202202 | | 1 | 66 | 734642 | | 1 | 116 | 349700 | | 1 | 116 | 349700 | | 1 | 116 | 349700 | |
| 17 | 664923 | | 1 | 67 | 616517 | | 1 | 117 | 720035 | | 1 | 117 | 720035 | | 1 | 117 | 720035 | |
| 18 | 695020 | | 1 | 68 | 782523 | | 1 | 118 | 935470 | | 1 | 118 | 935470 | | 1 | 118 | 935470 | |
| 19 | 331925 | | 1 | 69 | 180452 | | 1 | 119 | 720035 | | 1 | 119 | 720035 | | 1 | 119 | 720035 | |
| 20 | 933716 | | m | 70 | 933716 | | m | 120 | U76350 | | 1 | 120 | U76350 | | 1 | 120 | U76350 | |
| 21 | 715880 | | 1 | 71 | 331925 | | 1 | 121 | 327201 | | 1 | 121 | 327201 | | 1 | 121 | 327201 | |
| 22 | 734642 | | 1 | 72 | 695020 | | 1 | 122 | 390001 | | 1 | 122 | 390001 | | 1 | 122 | 390001 | |
| 23 | 695020 | | 1 | 73 | 715880 | | 1 | 123 | 119630 | | 1 | 123 | 119630 | | 1 | 123 | 119630 | |
| 24 | 331925 | | 1 | 74 | 935470 | | 1 | 124 | 349710 | | m | 124 | 349710 | | m | 124 | 349710 | |
| 25 | 864825 | | 1 | 75 | 715370 | | 1 | 125 | 929298 | | 1 | 125 | 929298 | | 1 | 125 | 929298 | |
| 26 | 864825 | | 1 | 76 | 970200 | | 1 | 126 | 119630 | | 8 | 126 | 119630 | | 8 | 126 | 119630 | |
| 27 | 727027 | | 2 | 77 | 266270 | | 2 | 127 | | | 1 | 127 | | | 1 | 127 | | |
| 28 | 864825 | | 2 | 78 | 970200 | | 2 | 128 | | | 10 | 128 | | | 10 | 128 | | |
| 29 | 720020 | | 3 | 79 | 266000 | | 3 | 129 | 549580 | | 1 | 129 | 549580 | | 1 | 129 | 549580 | |
| 30 | 699887 | | 1 | 80 | 390001 | | 1 | 130 | 762068 | | 4 | 130 | 762068 | | 4 | 130 | 762068 | |
| 31 | 327856 | | 1 | 81 | 694845 | | 1 | 131 | 791202 | | 6 | 131 | 791202 | | 6 | 131 | 791202 | |
| 32 | 331611 | | 2 | 82 | 260745 | | 2 | 132 | 127901 | | 2 | 132 | 127901 | | 2 | 132 | 127901 | |
| 33 | 164010 | | 2 | 83 | 629000 | | 2 | 133 | 201440 | | 1 | 133 | 201440 | | 1 | 133 | 201440 | |
| 34 | 260125 | | 2 | 84 | 994370 | | 2 | 134 | 982745 | | 2 | 134 | 982745 | | 2 | 134 | 982745 | |
| 35 | 775918 | | 1 | 85 | 970278 | | 1 | 135 | 507381 | | 4 | 135 | 507381 | | 4 | 135 | 507381 | |
| 36 | 715370 | | 1 | 86 | 667770 | | 1 | 136 | 713003 | | 10 | 136 | 713003 | | 10 | 136 | 713003 | |
| 37 | 775918 | | 1 | 87 | 712000 | | 1 | 137 | 976545 | | 1 | 137 | 976545 | | 1 | 137 | 976545 | |
| 38 | 970248 | | 2 | 88 | 931700 | | 2 | 138 | 179350 | | 1 | 138 | 179350 | | 1 | 138 | 179350 | |
| 39 | 294002 | | 2 | 89 | 695115 | | 2 | 139 | 699737 | | 1 | 139 | 699737 | | 1 | 139 | 699737 | |
| 40 | 695115 | | 1 | 90 | 164908 | | 1 | 140 | 699743 | | 1 | 140 | 699743 | | 1 | 140 | 699743 | |
| 41 | 716145 | | 1 | 91 | 766198 | | 1 | 141 | 975912 | | 1 | 141 | 975912 | | 1 | 141 | 975912 | |
| 42 | 599334 | | 1 | 92 | 766162 | | 1 | 142 | 265765 | | 1 | 142 | 265765 | | 1 | 142 | 265765 | |
| 43 | 976088 | | 2 | 93 | 698750 | | 2 | 143 | 970212 | | 1 | 143 | 970212 | | 1 | 143 | 970212 | |
| 44 | 935470 | | m | 94 | 786845 | | m | 144 | 976545 | | 1 | 144 | 976545 | | 1 | 144 | 976545 | |
| 45 | 715370 | | 1 | 95 | 716145 | | 1 | 145 | 773204 | | 1 | 145 | 773204 | | 1 | 145 | 773204 | |
| 46 | 506873 | | 1 | 96 | 734894 | | 1 | 146 | 983520 | | 3 | 146 | 983520 | | 3 | 146 | 983520 | |
| 47 | 712222 | | 1 | 97 | 630700 | | 1 | 147 | 134327 | | 1 | 147 | 134327 | | 1 | 147 | 134327 | |
| 48 | 331925 | | 1 | 98 | 205213 | | 1 | 148 | 749577 | | 1 | 148 | 749577 | | 1 | 148 | 749577 | |
| 49 | 977320 | | 1 | 99 | 718875 | | 1 | 149 | | | 2 | 149 | | | 2 | 149 | | |
| 50 | 331925 | | 1 | 100 | 507382 | | 1 | 150 | | | 2 | 150 | | | 2 | 150 | | |



KALAMAZOO MACHINE TOOL

C'370 SA-V

Doc. N° R1003782



KALAMAZOO MACHINE TOOL

č 370 SA-V



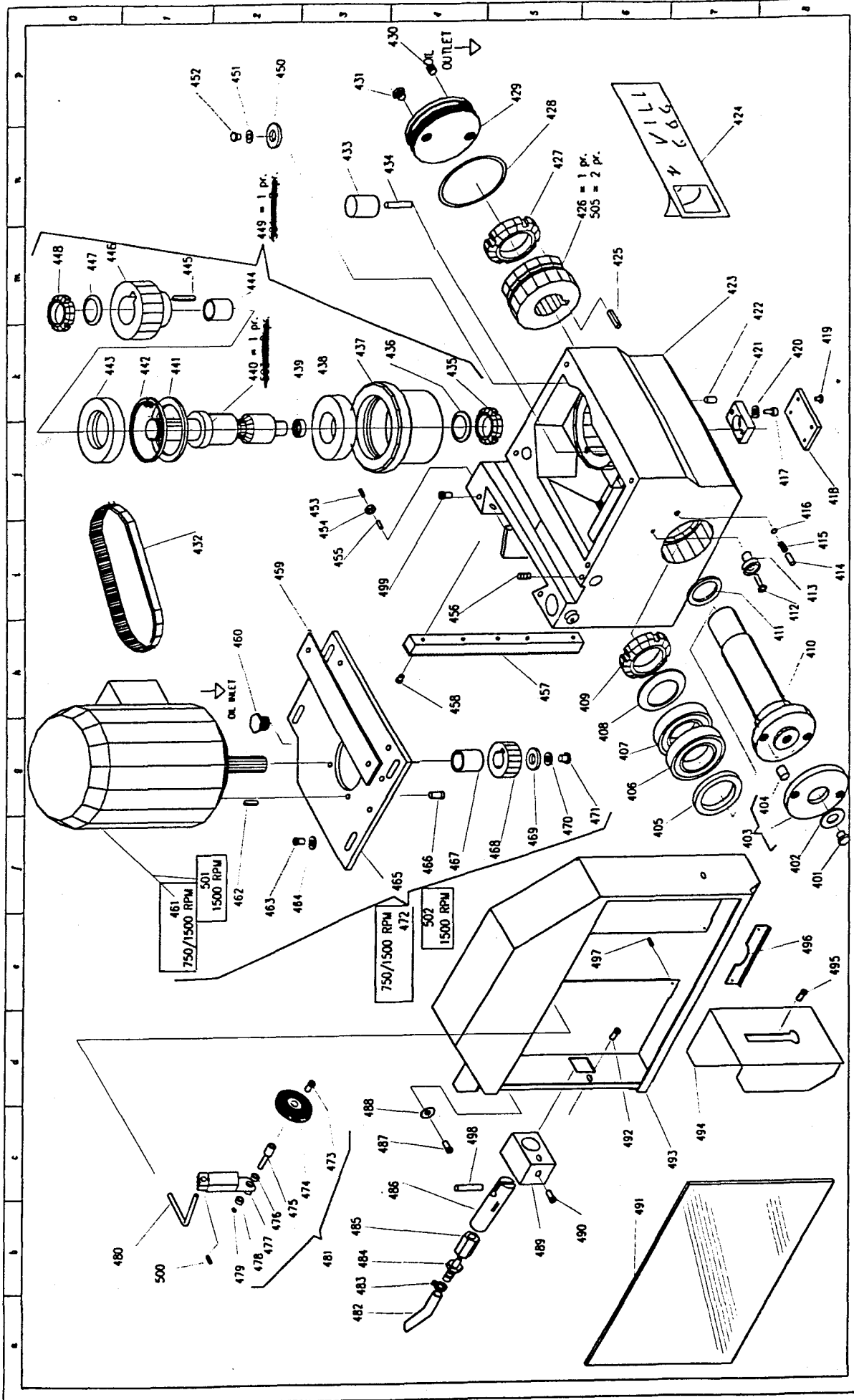
| N° | # | DESCR. | Q | N° | # | DESCR. | Q | N° | # | DESCR. | Q | N° | # | DESCR. | Q |
|-----|--------|--------|---|-----|--------|--------|---|----|---|--------|---|----|---|--------|---|
| 201 | 536675 | | 1 | 251 | 538046 | | | | | | | | | | |
| 202 | 984141 | | 2 | 252 | 790961 | | | | | | | | | | |
| 203 | 632788 | | 1 | 253 | 496343 | | | | | | | | | | |
| 204 | 793203 | | 1 | 254 | 716145 | | | | | | | | | | |
| 205 | 983916 | | 2 | 255 | 851820 | | | | | | | | | | |
| 206 | 975898 | | 3 | 256 | 279160 | | | | | | | | | | |
| 207 | 791945 | | 2 | 257 | 279150 | | | | | | | | | | |
| 208 | 307810 | | 1 | 258 | 747145 | | | | | | | | | | |
| 209 | 994600 | | 1 | 259 | 729806 | | | | | | | | | | |
| 210 | 307810 | | 1 | 260 | 179636 | | | | | | | | | | |
| 211 | 994600 | | 1 | 261 | 729831 | | | | | | | | | | |
| 212 | 683211 | | 1 | 262 | 976548 | | | | | | | | | | |
| 213 | 613506 | | 1 | 263 | 751900 | | | | | | | | | | |
| 214 | 791760 | | 2 | 264 | 748895 | | | | | | | | | | |
| 215 | 975810 | | 4 | 265 | 929296 | | | | | | | | | | |
| 216 | 145004 | | 1 | 266 | 536523 | | | | | | | | | | |
| 217 | 280022 | | 1 | 267 | 330350 | | | | | | | | | | |
| 218 | 978095 | | 2 | 268 | 532470 | | | | | | | | | | |
| 219 | 478448 | | 1 | 269 | | | | | | | | | | | |
| 220 | 975645 | | 1 | 270 | | | | | | | | | | | |
| 221 | 478344 | | 1 | 271 | U72983 | | | | | | | | | | |
| 222 | 791351 | | 2 | 272 | 690814 | | | | | | | | | | |
| 223 | 546989 | | 8 | 273 | 935493 | | | | | | | | | | |
| 224 | 943681 | | 1 | 274 | 331925 | | | | | | | | | | |
| 225 | 168997 | | 1 | 275 | 694925 | | | | | | | | | | |
| 226 | 982745 | | 4 | 276 | 935493 | | | | | | | | | | |
| 227 | 911018 | | 1 | 277 | 694925 | | | | | | | | | | |
| 228 | 978095 | | 2 | 278 | 722000 | | | | | | | | | | |
| 229 | 478448 | | 6 | 279 | 616628 | | | | | | | | | | |
| 230 | 978100 | | 1 | 280 | 976545 | | | | | | | | | | |
| 231 | 344684 | | 1 | 281 | 331427 | | | | | | | | | | |
| 232 | 507621 | | 1 | 282 | 510200 | | | | | | | | | | |
| 233 | 494407 | | 1 | 283 | 697836 | | | | | | | | | | |
| 234 | 976091 | | 3 | 284 | 976545 | | | | | | | | | | |
| 235 | 686602 | | 1 | 285 | 940895 | | | | | | | | | | |
| 236 | 969020 | | 2 | 286 | 307930 | | | | | | | | | | |
| 237 | 494805 | | 1 | 287 | | | | | | | | | | | |
| 238 | 222682 | | 1 | 288 | 941080 | | | | | | | | | | |
| 239 | 741599 | | 6 | 289 | 936473 | | | | | | | | | | |
| 240 | 545458 | | 1 | 290 | 248350 | | | | | | | | | | |
| 241 | 306500 | | 8 | 291 | 977650 | | | | | | | | | | |
| 242 | 943607 | | 1 | 292 | 721023 | | | | | | | | | | |
| 243 | 715370 | | 1 | 293 | 538317 | | | | | | | | | | |
| 244 | 935470 | | m | 294 | 533245 | | | | | | | | | | |
| 245 | 957144 | | 1 | 295 | 715370 | | | | | | | | | | |
| 246 | 779943 | | 1 | 296 | 727187 | | | | | | | | | | |
| 247 | 766643 | | 1 | 297 | 719123 | | | | | | | | | | |
| 248 | 616170 | | 1 | 298 | 715370 | | | | | | | | | | |
| 249 | 558783 | | 1 | 299 | 716856 | | | | | | | | | | |
| 250 | 513870 | | 3 | 300 | | | | | | | | | | | |



KALAMAZOO MACHINE TOOL

C'370 SA-V

Doc. N° R1003782



Dis. N R10037B2



KALAMAZOO MACHINE TOOL

C370 SA-V

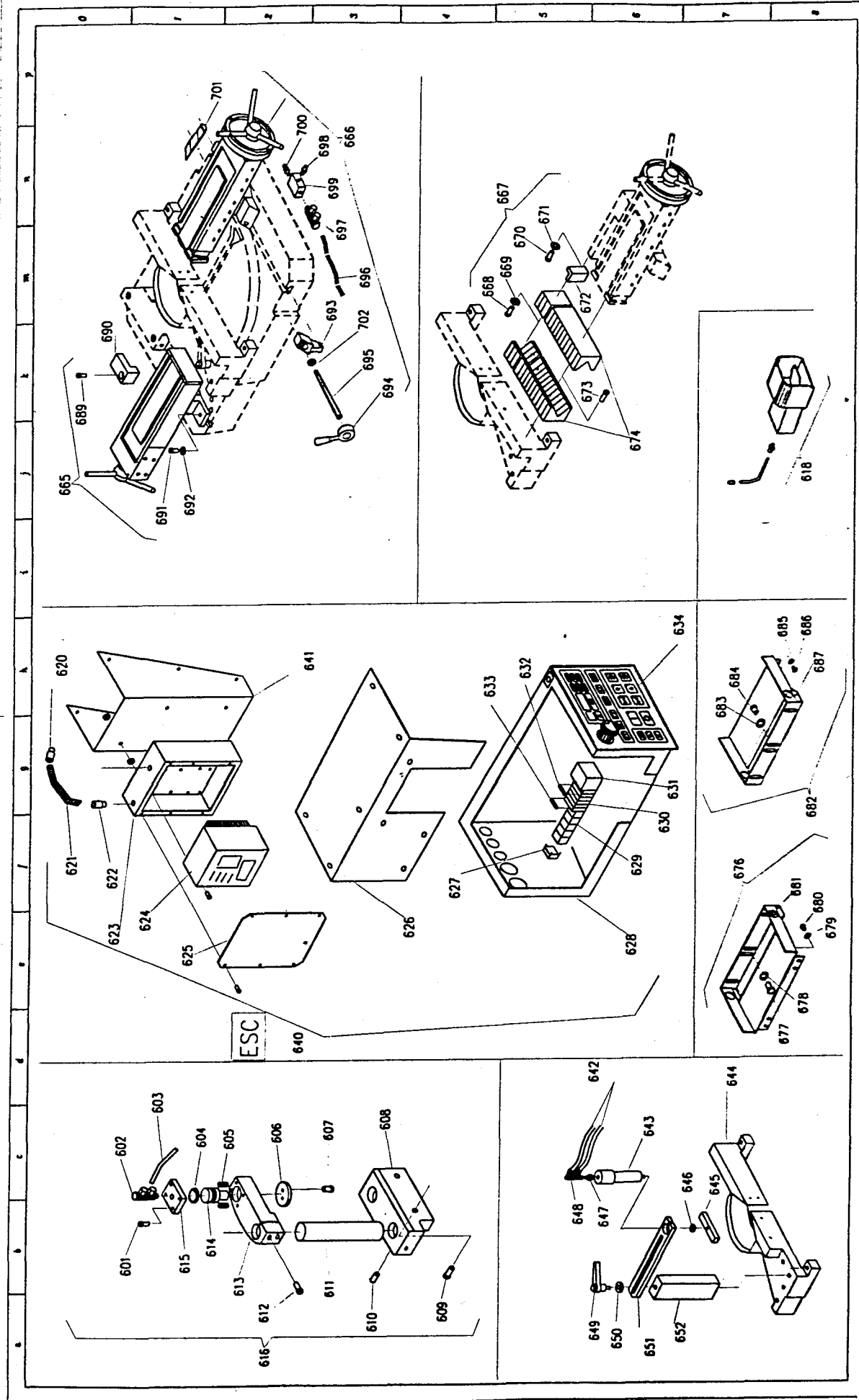
| N° | # | DESCR. | Q | N° | # | DESCR. | Q | N° | # | DESCR. | Q |
|-----|--------|--------|---|-----|--------|--------|---|-----|--------|--------|---|
| 401 | 988564 | | 1 | 451 | 750011 | | | 501 | 589288 | | 1 |
| 402 | 546938 | | 1 | 452 | 978870 | | | 502 | U58844 | | 1 |
| 403 | U34843 | | 1 | 453 | 945545 | | | 503 | 960422 | | 1 |
| 404 | 791545 | | 1 | 454 | 307720 | | | 504 | U96022 | | 1 |
| 405 | 129362 | | 1 | 455 | 138300 | | | 505 | 276682 | | 1 |
| 406 | 283020 | | 1 | 456 | 945545 | | | 506 | | | 1 |
| 407 | 283020 | | 1 | 457 | 276699 | | | 507 | | | 1 |
| 408 | 750185 | | 1 | 458 | 976545 | | | 508 | | | 1 |
| 409 | 497483 | | 1 | 459 | 522407 | | | 509 | | | 1 |
| 410 | 111640 | | 1 | 460 | 865725 | | | 510 | | | 1 |
| 411 | 322055 | | 1 | 461 | 587529 | | | 511 | | | 1 |
| 412 | 968920 | | 1 | 462 | 218000 | | | 512 | | | 1 |
| 413 | 736985 | | 1 | 463 | 630540 | | | 513 | | | 1 |
| 414 | 167265 | | 1 | 464 | 749470 | | | 514 | | | 1 |
| 415 | 547200 | | 1 | 465 | 658150 | | | 515 | | | 1 |
| 416 | 747920 | | 2 | 466 | 970248 | | | 516 | | | 1 |
| 417 | 978095 | | 2 | 467 | 322145 | | | 517 | | | 1 |
| 418 | 265866 | | 1 | 468 | 707262 | | | 518 | | | 1 |
| 419 | 966470 | | 4 | 469 | 742431 | | | 519 | | | 1 |
| 420 | 744500 | | 2 | 470 | 750040 | | | 520 | | | 1 |
| 421 | 694087 | | 1 | 471 | 984258 | | | 521 | | | 1 |
| 422 | 943681 | | 1 | 472 | U58800 | | | 522 | | | 1 |
| 423 | 926404 | | 1 | 473 | 968795 | | | 523 | | | 1 |
| 424 | 139650 | | 1 | 474 | 785768 | | | 524 | | | 1 |
| 425 | 218720 | | 1 | 475 | 647030 | | | 525 | | | 1 |
| 426 | 276685 | | 1 | 476 | 286020 | | | 526 | | | 1 |
| 427 | 499820 | | 1 | 477 | 863180 | | | 527 | | | 1 |
| 428 | 119828 | | 1 | 478 | 286020 | | | 528 | | | 1 |
| 429 | 265866 | | 1 | 479 | 127655 | | | 529 | | | 1 |
| 430 | 865936 | | 1 | 480 | 652390 | | | 530 | | | 1 |
| 431 | 786300 | | 1 | 481 | U78576 | | | 531 | | | 1 |
| 432 | 223110 | | 1 | 482 | 935493 | | | 532 | | | 1 |
| 433 | 652543 | | 2 | 483 | 331925 | | | 533 | | | 1 |
| 434 | 946490 | | 2 | 484 | 694925 | | | 534 | | | 1 |
| 435 | 497200 | | 1 | 485 | 755995 | | | 535 | | | 1 |
| 436 | 750159 | | 1 | 486 | 939943 | | | 536 | | | 1 |
| 437 | 349380 | | 1 | 487 | 978095 | | | 537 | | | 1 |
| 438 | 292285 | | 1 | 488 | 744045 | | | 538 | | | 1 |
| 439 | 282890 | | 1 | 489 | 698303 | | | 539 | | | 1 |
| 440 | 960400 | | 1 | 490 | 978870 | | | 540 | | | 1 |
| 441 | 322035 | | 1 | 491 | 792735 | | | 541 | | | 1 |
| 442 | 128120 | | 1 | 492 | 978095 | | | 542 | | | 1 |
| 443 | 129760 | | 1 | 493 | 192060 | | | 543 | | | 1 |
| 444 | 327133 | | 1 | 494 | 630580 | | | 544 | | | 1 |
| 445 | 218000 | | 1 | 495 | 977485 | | | 545 | | | 1 |
| 446 | 707263 | | 1 | 496 | 522397 | | | 546 | | | 1 |
| 447 | 750159 | | 1 | 497 | 970200 | | | 547 | | | 1 |
| 448 | 497110 | | 1 | 498 | 792336 | | | 548 | | | 1 |
| 449 | U96000 | | 1 | 499 | 515753 | | | 549 | | | 1 |
| 450 | 745288 | | 4 | 500 | 943960 | | | 550 | | | 1 |



KALAMAZOO MACHINE TOOL

C 370 SA-V

Dis N R1003782



Part No. RI0037B2



KALAMAZOO MACHINE TOOL

C370 SA-V

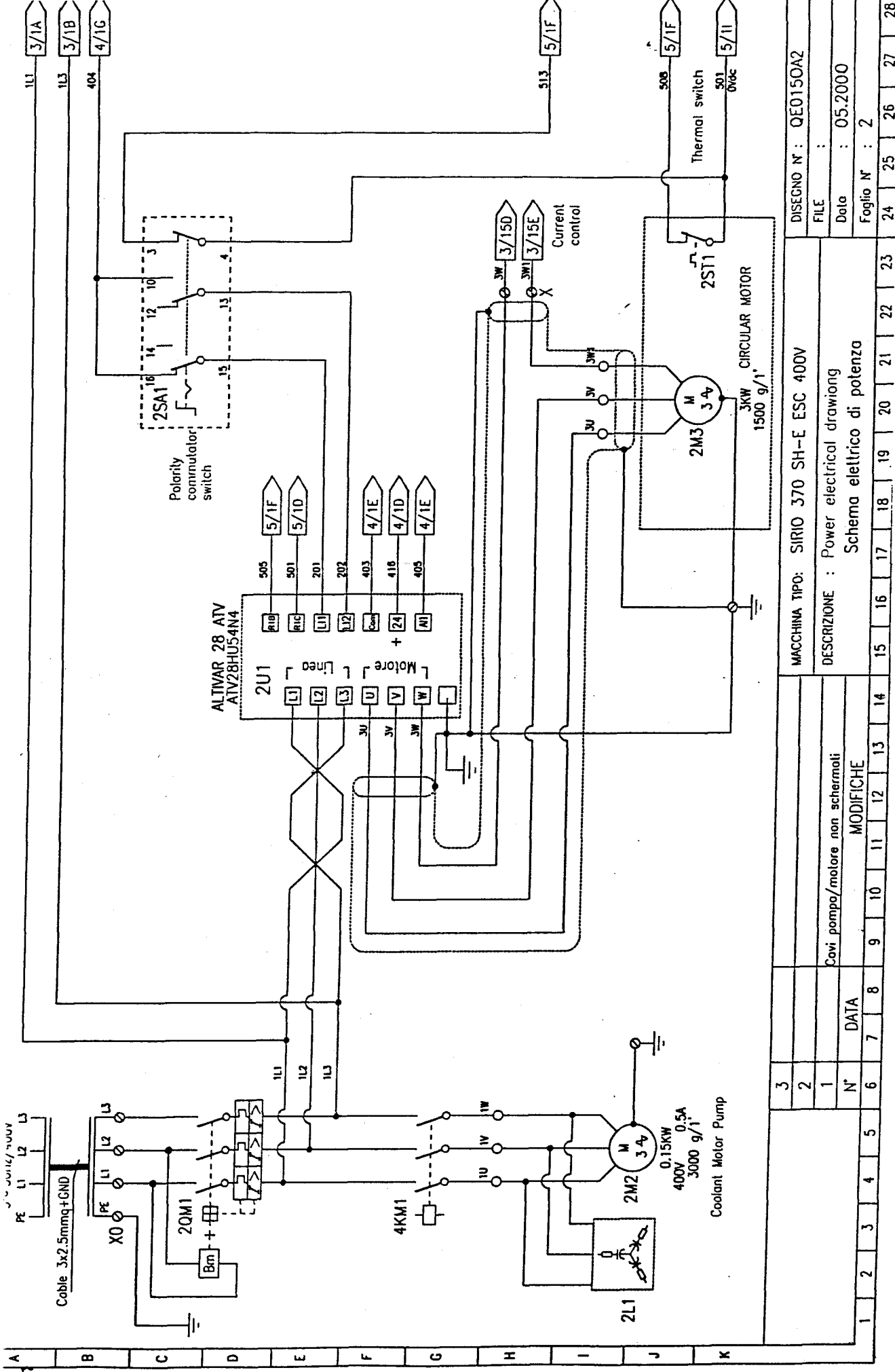
| N° | # | DESCR. | Q | N° | # | DESCR. | Q | N° | # | DESCR. | Q | N° | # | DESCR. | Q |
|-----|---------|--------|---|-----|--------|--------|---|-----|--------|--------|---|-----|---|--------|---|
| 601 | 976545 | | 4 | 651 | 169750 | | | 701 | 279180 | | | 701 | | | |
| 602 | 715795 | | 1 | 652 | 799187 | | | 702 | 747145 | | | 702 | | | |
| 603 | 935470 | | 1 | 653 | | | | 703 | | | | 703 | | | |
| 604 | 120056 | | 1 | 654 | | | | 704 | | | | 704 | | | |
| 605 | 546521 | | 2 | 655 | | | | 705 | | | | 705 | | | |
| 606 | 349524 | | 1 | 656 | | | | 706 | | | | 706 | | | |
| 607 | 976113 | | 2 | 657 | | | | 707 | | | | 707 | | | |
| 608 | 928512 | | 1 | 658 | | | | 708 | | | | 708 | | | |
| 609 | 974100 | | 2 | 659 | | | | 709 | | | | 709 | | | |
| 610 | 941670 | | 2 | 660 | | | | 710 | | | | 710 | | | |
| 611 | 640000 | | 2 | 661 | | | | 711 | | | | 711 | | | |
| 612 | 984070 | | 2 | 662 | | | | 712 | | | | 712 | | | |
| 613 | 169500 | | 1 | 663 | | | | 713 | | | | 713 | | | |
| 614 | 690900 | | 1 | 664 | | | | 714 | | | | 714 | | | |
| 615 | 664500 | | 1 | 665 | 558776 | | | 715 | | | | 715 | | | |
| 616 | 691100 | | 1 | 666 | 000945 | | | 716 | | | | 716 | | | |
| 617 | | | 1 | 667 | 506500 | | | 717 | | | | 717 | | | |
| 618 | 000970 | | 1 | 668 | 976550 | | | 718 | | | | 718 | | | |
| 619 | | | 1 | 669 | 748695 | | | 719 | | | | 719 | | | |
| 620 | 718857 | | 1 | 670 | 976547 | | | 720 | | | | 720 | | | |
| 621 | 507386 | | m | 671 | 748695 | | | 721 | | | | 721 | | | |
| 622 | 718857 | | 1 | 672 | 478345 | | | 722 | | | | 722 | | | |
| 623 | 771982 | | 1 | 673 | 978870 | | | 723 | | | | 723 | | | |
| 624 | 521240 | | 1 | 674 | 492077 | | | 724 | | | | 724 | | | |
| 625 | 265808 | | 1 | 675 | | | | 725 | | | | 725 | | | |
| 626 | 266000 | | 1 | 676 | RASIRU | | | 726 | | | | 726 | | | |
| 627 | 558810 | | 1 | 677 | 986865 | | | 727 | | | | 727 | | | |
| 628 | 712000 | | 1 | 678 | 747145 | | | 728 | | | | 728 | | | |
| 629 | 559092 | | 4 | 679 | 749470 | | | 729 | | | | 729 | | | |
| 630 | 694845 | | 6 | 680 | 995090 | | | 730 | | | | 730 | | | |
| 631 | 260750 | | 1 | 681 | 928856 | | | 731 | | | | 731 | | | |
| 632 | 390001 | | 4 | 682 | RASIRU | | | 732 | | | | 732 | | | |
| 633 | 390010 | | 2 | 683 | 747145 | | | 733 | | | | 733 | | | |
| 634 | X091867 | | 1 | 684 | 986865 | | | 734 | | | | 734 | | | |
| 635 | | | | 685 | 749470 | | | 735 | | | | 735 | | | |
| 636 | | | | 686 | 995090 | | | 736 | | | | 736 | | | |
| 637 | | | | 687 | 928856 | | | 737 | | | | 737 | | | |
| 638 | | | | 688 | | | | 738 | | | | 738 | | | |
| 639 | | | | 689 | 975000 | | | 739 | | | | 739 | | | |
| 640 | 237737 | | 1 | 690 | 799084 | | | 740 | | | | 740 | | | |
| 641 | 521915 | | 1 | 691 | 974220 | | | 741 | | | | 741 | | | |
| 642 | 935470 | | 1 | 692 | 747145 | | | 742 | | | | 742 | | | |
| 643 | 222803 | | m | 693 | 279150 | | | 743 | | | | 743 | | | |
| 644 | 793223 | | 1 | 694 | 538323 | | | 744 | | | | 744 | | | |
| 645 | 157507 | | 1 | 695 | 928296 | | | 745 | | | | 745 | | | |
| 646 | 503070 | | 1 | 696 | 935470 | | | 746 | | | | 746 | | | |
| 647 | 727770 | | 1 | 697 | 715795 | | | 747 | | | | 747 | | | |
| 648 | 715795 | | 1 | 698 | 616170 | | | 748 | | | | 748 | | | |
| 649 | 536675 | | 1 | 699 | 766643 | | | 749 | | | | 749 | | | |
| 650 | 738976 | | 2 | 700 | 775943 | | | 750 | | | | 750 | | | |



KALAMAZOO MACHINE TOOL

C'370 SA-V

Lot. N R100378Z



DISECCNO N°: QE0150A2

FILE :

Data : 05.2000

Foglio N° : 2

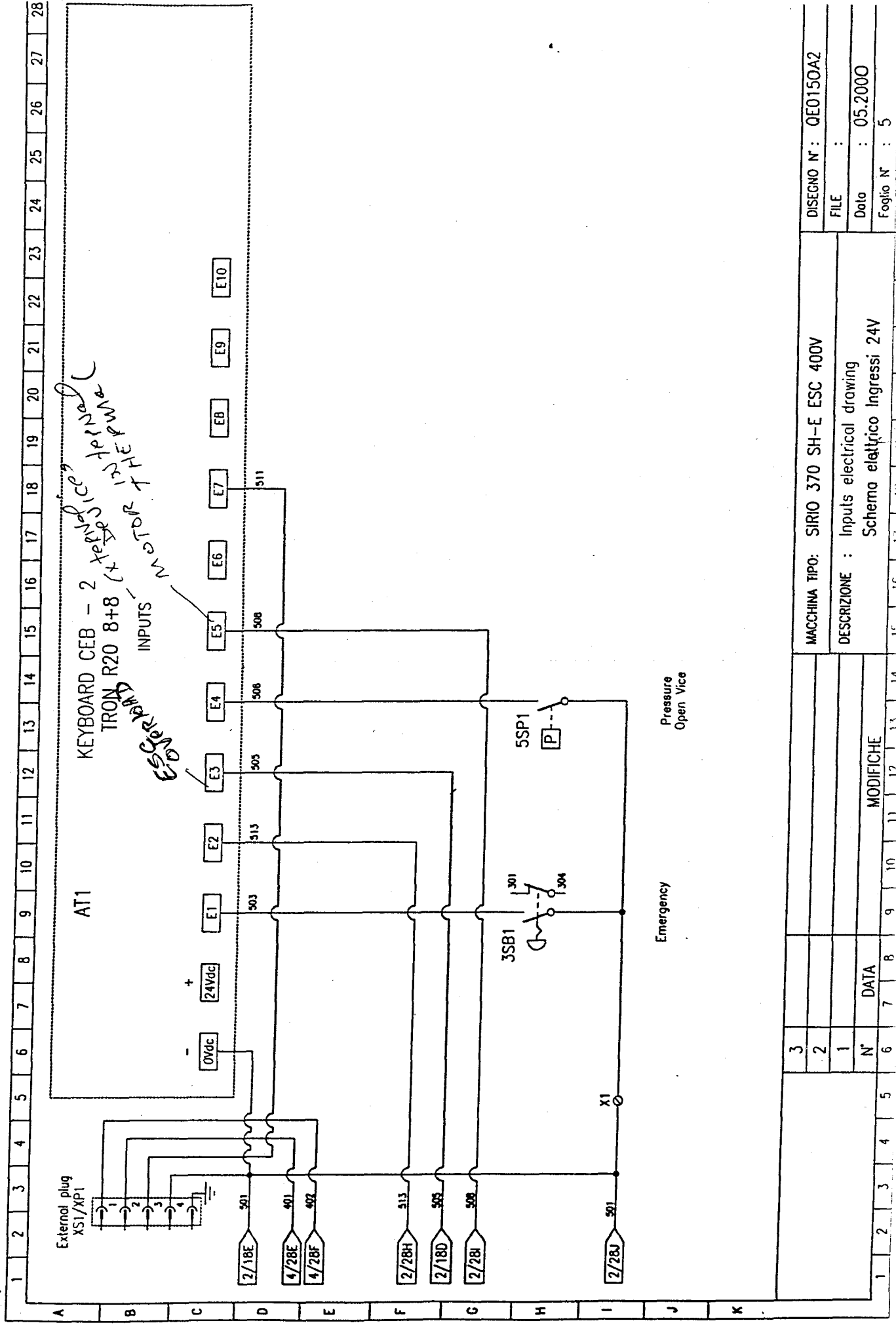
MACCHINA TIPO: SIRIO 370 SH-E ESC 400V

DESCRIZIONE : Power electrical drawing
Schema elettrico di potenza

Cavi pompa/motore non schermati
MODIFICHE

DATA

| | | | | | | | | | | | | | | | | | | | | | | | | | | | |
|---|---|---|---|---|---|---|---|---|----|----|----|----|----|----|----|----|----|----|----|----|----|----|----|----|----|----|----|
| 1 | 2 | 3 | 4 | 5 | 6 | 7 | 8 | 9 | 10 | 11 | 12 | 13 | 14 | 15 | 16 | 17 | 18 | 19 | 20 | 21 | 22 | 23 | 24 | 25 | 26 | 27 | 28 |
|---|---|---|---|---|---|---|---|---|----|----|----|----|----|----|----|----|----|----|----|----|----|----|----|----|----|----|----|



DISEGNO N°: QE0150A2
 FILE :
 Data : 05.2000
 Foglio N° : 5

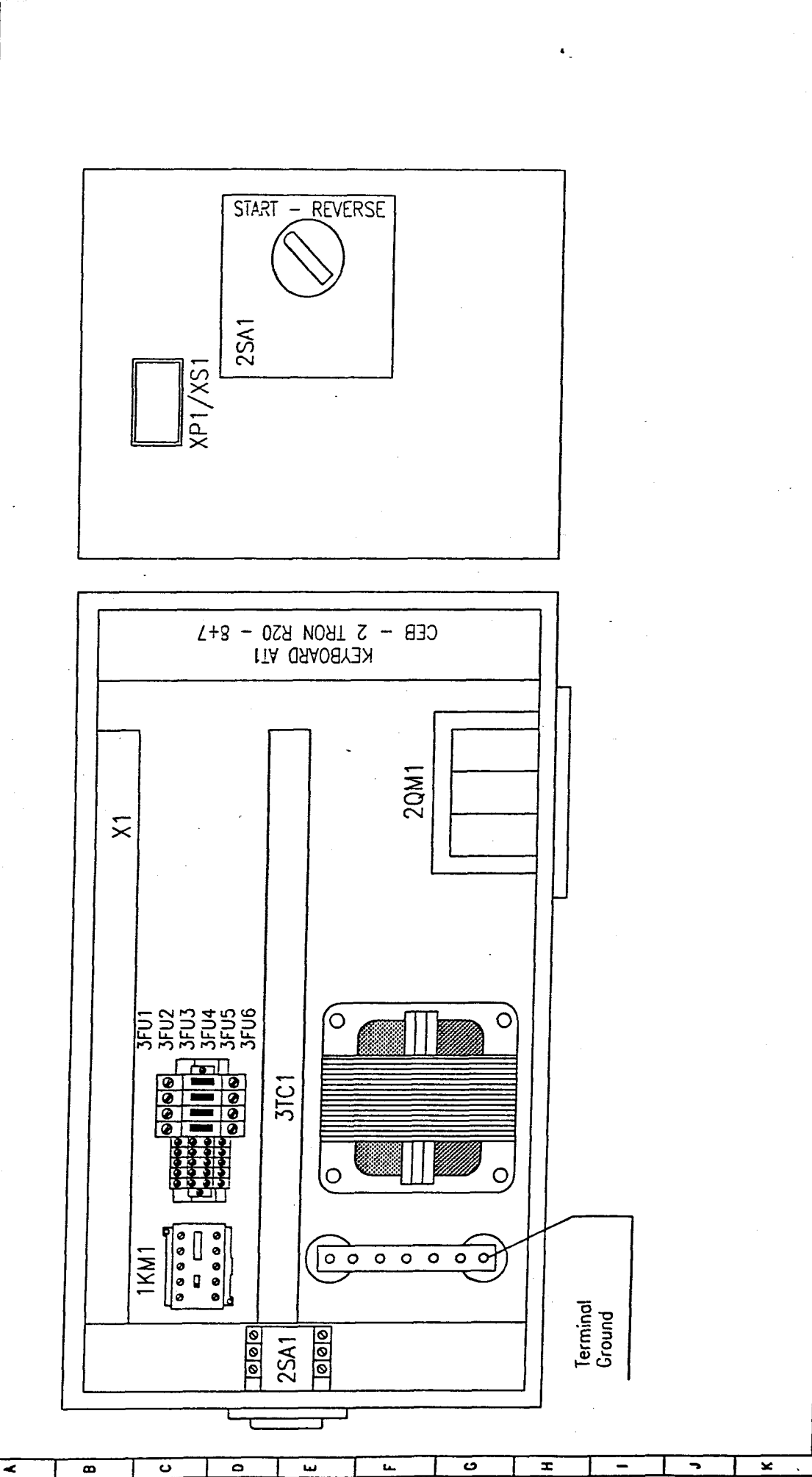
MACCHINA TIPO: SIRIO 370 SH-E ESC 400V
 DESCRIZIONE : Inputs electrical drawing
 Schema elettrico Ingressi 24V

3
 2
 1
 N° DATA
 MODIFICHE

Emergency

Pressure
Open Vice

1 2 3 4 5 6 7 8 9 10 11 12 13 14 15 16 17 18 19 20 21 22 23 24 25 26 27 28



| | | | | | |
|----|----|--|----|----------------------|----|
| 3 | | MACCHINA TIPO: SIRIO 370 SH-E ESC 400V | | DISEGNO N°: QE0150A2 | |
| 2 | | | | FILE : | |
| 1 | | | | Data : 05.2000 | |
| N° | | MODIFICHE | | Foglio N° : 7 | |
| 1 | 2 | 3 | 4 | 5 | 6 |
| 7 | 8 | 9 | 10 | 11 | 12 |
| 13 | 14 | 15 | 16 | 17 | 18 |
| 19 | 20 | 21 | 22 | 23 | 24 |
| 25 | 26 | 27 | 28 | | |

DESCRIZIONE :
Quadro elettrico generale

| 1 | 2 | 3 | 4 | 5 | 6 | 7 | 8 | 9 | 10 | 11 | 12 | 13 | 14 | 15 | 16 | 17 | 18 | 19 | 20 | 21 | 22 | 23 | 24 | 25 | 26 | 27 | 28 |
|---|----------|-----------------------------|-----------------------------|--|---------------|----------------|---------|------|----|----|----|----|----|----|----|----|----|----|----|----|----|----|----|----|----|----|----|
| A | REF. | DEVICE | SPECIFICATIONS | FUNCTION | FACTORY | TYPE | ITEM N° | O.TY | | | | | | | | | | | | | | | | | | | |
| B | 20M1 | Circuit breaker | 3P-P.I. 6KA-4/6.3A | Main circuit breaker - (Rating see page 7) | TELEMECANIQUE | GV2 M10-4/6.3A | 766162 | 1 | | | | | | | | | | | | | | | | | | | |
| | 20M1 | Min. voltage relay | 380V | Unlooh main circuit | | GV2 AU385 | 164908 | 1 | | | | | | | | | | | | | | | | | | | |
| | 20M1 | Terminal box | IP55 | Terminal box for main circuit breaker | | GV2 MP02+V01 | 766198 | 1 | | | | | | | | | | | | | | | | | | | |
| | 2M2 | 3Phase motor | 0.15KW-400V-3000g/1° | Coolant motor pump | OMCC | PMU40L P170 | 331524 | 1 | | | | | | | | | | | | | | | | | | | |
| | 2M3 | 3Phase motor | 3KW-400V-1500g/1° | Circular motor | ELETTRADDA | FC 100 4Polos | 589288 | 1 | | | | | | | | | | | | | | | | | | | |
| C | 2U1 | Frequency drive unit | 3KW-400V-3~ | Control speed motor band | TELEMECANIQUE | 2BATV 28HU54N4 | 521240 | 1 | | | | | | | | | | | | | | | | | | | |
| | 2L1 | Filter (optional) | RC + Cavo 575V | Noise suppressor | MPM | 1.30809 | 334010 | 1 | | | | | | | | | | | | | | | | | | | |
| | 2S11 | Thermal switch | Classe B | Overcurrent motor band | TERMIK | | | 3 | | | | | | | | | | | | | | | | | | | |
| | 2SA1 | Polarity commutator switch | 2 Pos. - 12A + aux. contact | Reverse rotation for unblock saw | TECNOMATIC | HD12X207AR922 | 258610 | 1 | | | | | | | | | | | | | | | | | | | |
| D | AT1 | Station control 8+8 | IP 65 | Control unit and program | C.E.B. | R20 8+8 | 918677 | 1 | | | | | | | | | | | | | | | | | | | |
| | 3RP1 | Potentiometer | 5K0hm/308' ± 0.3%/IP65 | Control gradient bow | SIKO | SP2841001941 | 699743 | 1 | | | | | | | | | | | | | | | | | | | |
| | 3FU1 | Fuse block | 4mmq./6.3A | Primary protection transformer | CUNTA CLIP | 5TK 1 PA | 694520 | 1 | | | | | | | | | | | | | | | | | | | |
| | 3FU1 | Fuse | 5x25mm./size 2A | Primary protection transformer | WEBER | 5x25mm./2A | 390010 | 1 | | | | | | | | | | | | | | | | | | | |
| | 3FU2 | Fuse block | 4mmq./6.3A | Primary protection transformer | CUNTA CLIP | 5TK 1 PA | 694520 | 1 | | | | | | | | | | | | | | | | | | | |
| | 3FU2 | Fuse | 5x25mm./size 2A | Primary protection transformer | WEBER | 5x25mm./2A | 390010 | 1 | | | | | | | | | | | | | | | | | | | |
| | 3FU3 / 4 | Fuse block | 4mmq./6.3A | Secondary protection transformer 0-20-24 | CUNTA CLIP | 5TK 1 PA | 694520 | 1 | | | | | | | | | | | | | | | | | | | |
| | 3FU3 / 4 | Fuse | 5x20mm./size 6.3A | Secondary protection transformer 0-20-24 | WEBER | 5x20mm./6.3A | 390001 | 1 | | | | | | | | | | | | | | | | | | | |
| | 3FU5 / 6 | Fuse block | 4mmq./6.3A | Secondary protection transformer 0-18 | CUNTA CLIP | 5TK 1 PA | 694520 | 1 | | | | | | | | | | | | | | | | | | | |
| | 3FU5 / 6 | Fuse | 5x20mm./size 3.2A | Secondary protection transformer 0-18 | WEBER | 5x20mm./3.2A | 390001 | 1 | | | | | | | | | | | | | | | | | | | |
| | 3FC1 | Control circuit transformer | VA160/Ve 400 Vu1 0-20-24 | Main auxiliary supply | C.E. | T.T. CEI 14/6 | 931200 | 1 | | | | | | | | | | | | | | | | | | | |
| | | | Vu2 15-0-15 Vu3 0-9 | | | | | | | | | | | | | | | | | | | | | | | | |
| | | | Vu4 0-18 | | | | | | | | | | | | | | | | | | | | | | | | |
| I | 3SB1 | Pushbutton (emergency) | ø40mm. - Clearing rotation | Emergency stop button | Z.E. | TR | | 1 | | | | | | | | | | | | | | | | | | | |
| | | | | | BRETER | RM 065R + | 709170 | 1 | | | | | | | | | | | | | | | | | | | |
| J | 3SB1 | Normally close contact | NC - Red | Emergency stop button | CEMA | P9XER4RN | | | | | | | | | | | | | | | | | | | | | |
| | | | | | BRETER | V 40 + | 260231 | 1 | | | | | | | | | | | | | | | | | | | |
| | | | | | CEMA | P9U01UN | | | | | | | | | | | | | | | | | | | | | |
| K | 3SB1 | Normally open contact | NC - Green | Emergency stop button | BRETER | V 50 | 260397 | 1 | | | | | | | | | | | | | | | | | | | |
| | | | | | CEMA | P9B10UN | | | | | | | | | | | | | | | | | | | | | |

DISCENO N° : QE0150A2

FILE :

Data : 05.2000

Foglio N° : 8

MACCHINA TIPO: SIRIO 370 SH-E ESC 400V

DESCRIZIONE : General list of electrical equipments
Elenco generale componenti elettrici

| 1 | 2 | 3 | 4 | 5 | 6 | 7 | 8 | 9 | 10 | 11 | 12 | 13 | 14 | 15 | 16 | 17 | 18 | 19 | 20 | 21 | 22 | 23 | 24 | 25 | 26 | 27 | 28 | |
|---|---|----|---|---|---|---|---|---|----|----|----|----|----|----|----|----|----|----|----|----|----|----|----|----|----|----|----|--|
| | | | | | | | | | | | | | | | | | | | | | | | | | | | | |
| | | 3 | | | | | | | | | | | | | | | | | | | | | | | | | | |
| | | 2 | | | | | | | | | | | | | | | | | | | | | | | | | | |
| | | 1 | | | | | | | | | | | | | | | | | | | | | | | | | | |
| | | N° | | | | | | | | | | | | | | | | | | | | | | | | | | |
| | | 6 | | | | | | | | | | | | | | | | | | | | | | | | | | |
| | | | | | | | | | | | | | | | | | | | | | | | | | | | | |

MODIFICHE

