

# KALAMAZOO MACHINE TOOL

CT 350 A

ITEM #	PART #	QTY	ITEM #	PART #	QTY	ITEM #	PART #
1	713030	1	51	727770	1	101	
2	786845	1	52	718470	2	102	550687
3	699750	1	53	775918	8	103	976088
4	766198	1	54	715370	1	104	539534
5	164908	1	55	119630	1	105	715370
6	766162	1	56	119630	1	106	
7	978095	4	57	935470	0.3	107	506873
8	978095	8	58	AP3285	1	108	715370
9	303070	3	59	265846	1	109	533245
10	941640	3	60	182480	4	110	715370
11	F53653	1	61	715370	1	111	719123
12		1	62	349710	1	112	727187
13	205600	1	63	354020	1	113	716145
14	977650	4	64	720035	1	114	539317
15	749470	4	65	935470	1	115	539317
16	169440	1	66	720035	1	116	533245
17	536419	1	67	929300	2	117	715370
18	744100	1	68	695115	1	118	719123
19	205900	1	69	331699	1	119	727187
20	712020	1	70	349700	1	120	715370
21	970248	4	71	695115	1	121	788220
22	327201	2	72	939990	1	122	943681
23	536100	2	73	716145	1	123	513739
24	970273	4	74	695115	1	124	202202
25	260231	1	75	616170	1	125	734694
26	260397	1	76	260175	1	126	695115
27	970273	4	77	AP8090	1	127	331925
28	728800	1	78	AP9408	1	128	933716
29	327209	4	79	720050	1	129	716145
30		1	80	676982	1	130	734694
31	390001	1	81	976547	2	131	695115
32	709407	1	82	748695	2	132	331925
33	864825	1	83	267451	1	133	331550
34	720019	1	84	335748	1	134	331558
35	720020	1	85	748695	2	135	331568
36	721907	1	86	306500	2	136	727019
37	727793	1	87	940895	1	137	260165
38		1	88	936245	0.4	138	AS7280
39	718470	3	89	695115	1	139	
40	559092	5	90	734694	1	140	572750
41	558790	12	91	976113	4	141	
42	931200	1	92	727779	1	142	V72718
43		1	93	770050	1	143	747502
44		1	94	182962	1	144	307198
45	694820	5	95	699897	1	145	864825
46	260750	3	96	327311	1	146	727020
47	260795	1	97	720050	1	147	715370
48	260745	2	98	734694	1	148	717695
49	390001	3	99		1	149	
50	390010	2	100		1	150	506702



# KALAMAZOO MACHINE TOOL

CT 350 A

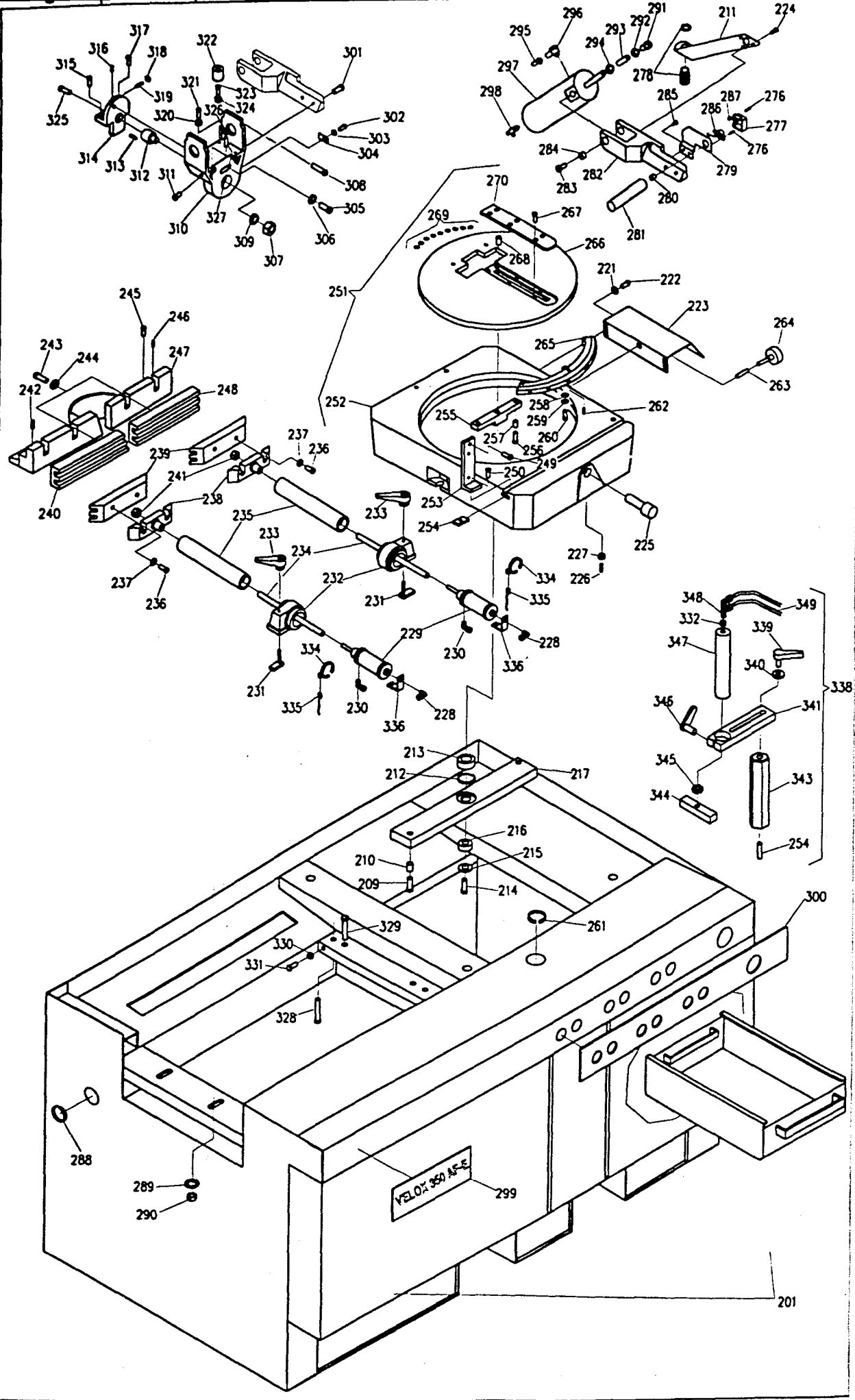
RCD

Dis. N

RI0154A3

Modifica

# KALAMAZOO MACHINE TOOL



201

ITEM #	PART #	QTY ITEM# PART #		QTY ITEM# PART #	
		QTY	PART #	QTY	PART #
201	27210	1	251 451570	1	301 984070
202	727187	1	252 144538	1	302 991270
203	539317	1	253 799275	1	303 747920
204	532245	1	254 943562	1	304 911026
205	716856	1	255 855364	1	305 988170
206	719123	1	256 980420	2	306 747145
207	720050	1	257 791223	2	307 307567
208	720050	1	258 744045	2	308 983535
209	981970	2	259 750011	2	309 745109
210	791223	2	260 978870	1	310 861791
211	698408	1	261 630975	1	311 995920
212	119592	1	262 789770	1	312 645998
213	289910	1	263 138836	1	313 789268
214	984141	1	264 962308	1	314 856813
215	742265	1	265 775583	1	315 974220
216	288083	1	266 318106	1	316 789770
217	855332	1	267 998734	6	317 975000
218	978095	2	268 941302	1	318 300900
219	744820	2	269 777703	225	319 943562
220	774332	1	270 668433	1	320 307720
221	747145	2	271 749470	4	321 995145
222	972670	2	272 977650	4	322 114976
223	773035	1	273 977650	4	323 979645
224	970273	3	274 744045	4	324 307720
225	613394	1	275 169449	1	325 974220
226	946320	1	276 975910	4	326 307720
227	300745	1	277 265795	1	327 961450
228	727022	1	278 718875	1	328 984207
229	221500	2	279 699741	1	329 988273
230	719245	1	280 179350	1	330 307720
231	929260	2	281 650000	1	331 996695
232	863100	2	282 354995	1	332 727770
233	536585	2	283 978870	2	333 970286
234	957031	2	284 167257	2	334 331800
235	221391	2	285 970273	2	335 774275
236	980420	4	286 699743	1	336 796940
237	744045	4	287 630640	1	337 796818
238	478094	2	288 630975	1	338 532050
239	485986	2	289 744998	2	339 536675
240	492537	1	290 305080	2	340 744987
241	294306	2	291 781000	1	341 169750
242	943220	2	292 303845	1	342 980420
243	979645	4	293 929338	1	343 646800
244	744045	4	294 303845	1	344 157509
245	980420	1	295 895115	1	345 303070
246	789770	2	296 716145	1	346 536474
247	793309	1	297 220107	1	347 222789
248	477906	1	298 715530	1	348 715795
249	980420	1	299 139612	1	349 934695
250	972670	1	300 139619	1	350 506101

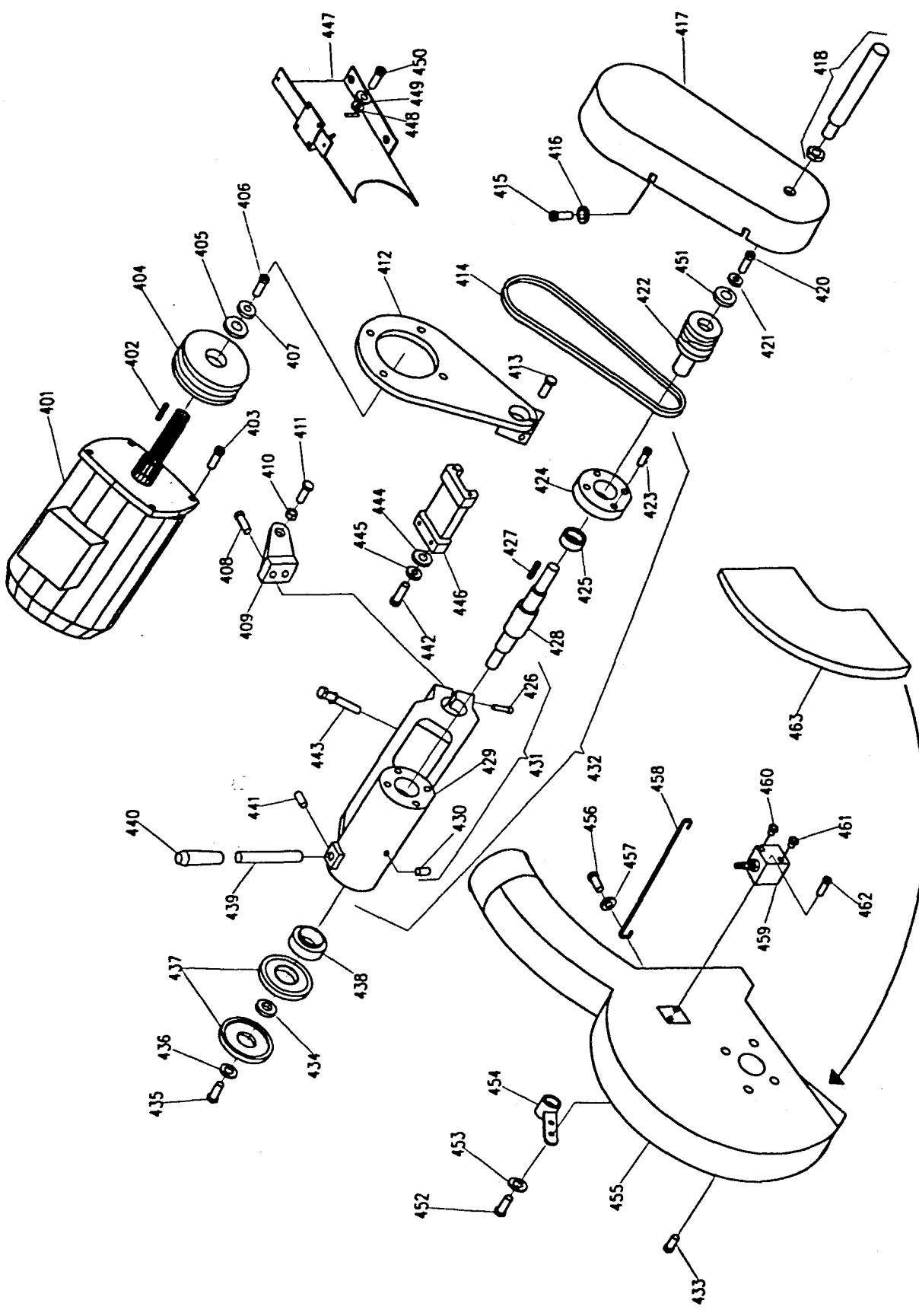


# KALAMAZOO MACHINE TOOL

CT 350 A

RCD Dis. N RI0154A3

Modifica



RCD \_\_\_\_\_ Dis. N R10154AJ

Modifica \_\_\_\_\_

# KALAMAZOO MACHINE TOOL

CT 350 A



ITEM # PART #	QTY	ITEM# PART #	QTY	ITEM # PART #	QTY	ITEM # PART #
401	1	451	1	741720	1	501
402	1	452	1	978095	2	502
403	4	453	4	751795	2	503
404	1	454	1	853500	1	504
405	1	455	1	198608	1	505
406	1	456	1	995000	1	506
407	1	457	1	749470	1	507
408	2	458	2	198608	1	508
409	1	459	1	615554	1	509
410	1	460	1	716870	1	510
411	1	461	1	716870	1	511
412	1	462	2	976084	2	512
413	1	463	1	354050	1	513
414	1	464	1		1	514
415	2	465	2		1	515
416	2	466	2		1	516
417	1	467	1		1	517
418	1	468	1		1	518
419	1	469	1		1	519
420	1	470	1		1	520
421	1	471	1		1	521
422	1	472	1		1	522
423	4	473	4		1	523
424	1	474	1		1	524
425	1	475	1		1	525
426	1	476	1		1	526
427	1	477	1		1	527
428	1	478	1		1	528
429	1	479	1		1	529
430	1	480	1		1	530
431	1	481	1		1	531
432	1	482	1		1	532
433	4	483	4		1	533
434	1	484	1		1	534
435	1	485	1		1	535
436	1	486	1		1	536
437	2	487	2		1	537
438	1	488	1		1	538
439	1	489	1		1	539
440	1	490	1		1	540
441	1	491	1		1	541
442	1	492	1		1	542
443	1	493	1		1	543
444	1	494	1		1	544
445	1	495	1		1	545
446	1	496	1		1	546
447	1	497	1		1	547
448	1	498	1		1	548
449	1	499	1		1	549
450	1	500	1		1	550



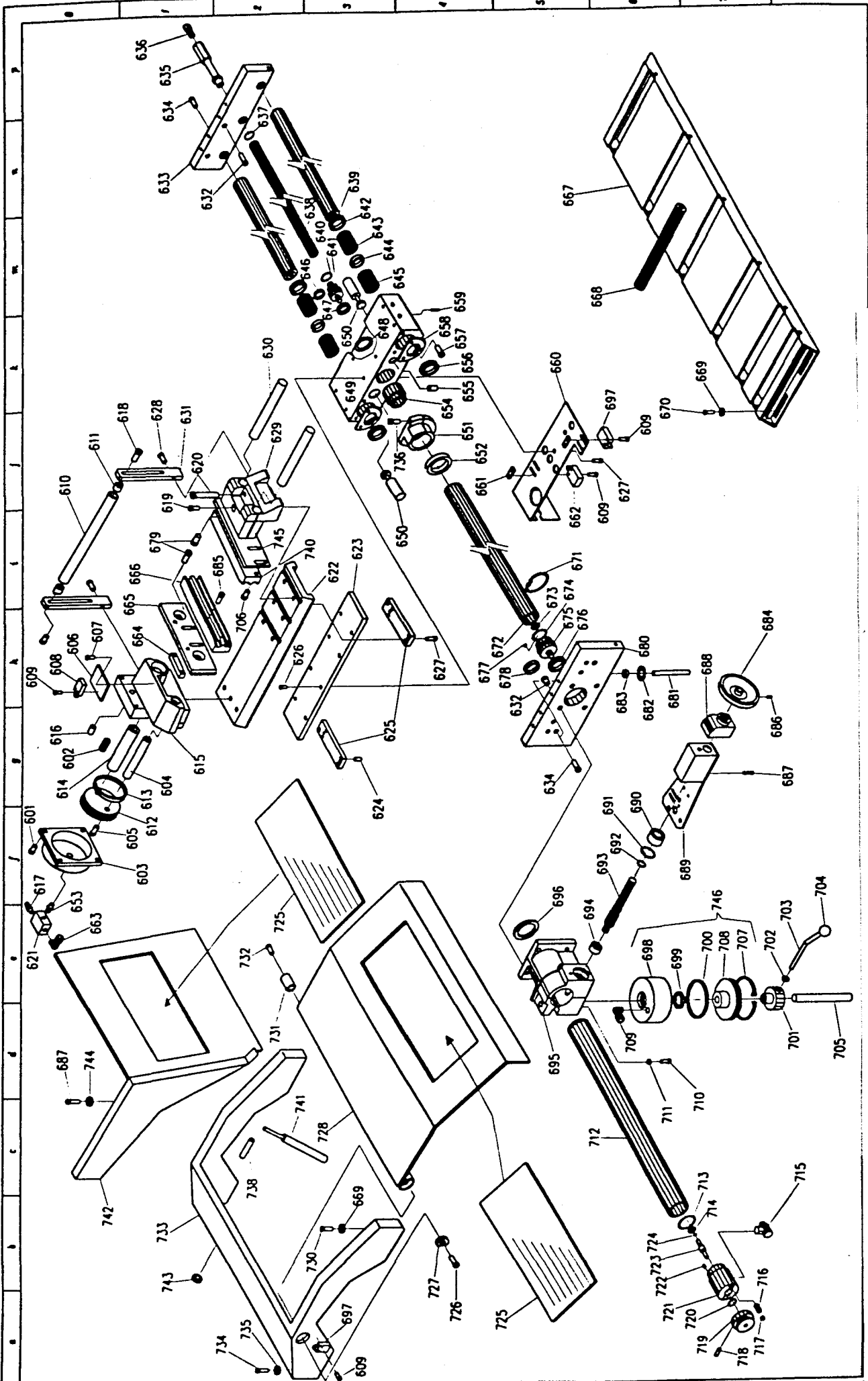
# KALAMAZOO MACHINE TOOL

CT 350 A

RCD

Dis. N RI0154A3

Modif:co



# KALAMAZOO MACHINE TOOL

CT 350 A

RCD

Dis. N R0154A3

Modifico

ITEM # PART #	QTY ITEM# PART #		QTY ITEM# PART #		QTY ITEM# PART #		
601	977650	4	651	499994	1	701	179850
602	547316	2	652	511140	1	702	303845
603	219850	1	653	616170	1	703	529020
604	512460	1	654	172150	1	704	513931
605	988380	2	655	942445	1	705	929370
606	673862	1	656	511144	1	706	978870
607	975917	2	657	970248	12	707	128229
608	521192	1	658	344193	4	708	690850
609	975918	8	659	944770	1	709	727021
610	759235	1	660	658520	1	710	978870
611	296700	2	661	661900	1	711	307720
612	690935	1	662	521192	1	712	222953
613	511047	1	663	715370	1	713	119475
614	512455	1	664	714600	1	714	511120
615	851818	1	665	490760	1	715	727020
616	792048	1	666	486010	1	716	547510
617	775943	1	667	758450	1	717	778800
618	983893	2	668	759286	6	718	943681
619	990610	1	669	744045	4	719	515625
620	984207	2	670	977650	4	720	127850
621	766643	1	671	128017	1	721	727039
622	190920	1	672	222958	1	722	943679
623	607010	1	673	511120	1	723	652893
624	943960	8	674	119460	1	724	119621
625	656305	2	675	691025	1	725	691133
626	978870	8	676	511045	1	726	968795
627	977650	6	677	943679	1	727	182880
628	997470	2	678	332201	1	728	200650
629	851813	1	679	964430	4	729	749470
630	512458	1	680	929009	1	730	970278
631	799270	2	681	929369	2	731	736000
632	973445	5	682	744998	4	732	957945
633	929003	1	683	305080	4	733	200600
634	973874	4	684	964259	1	734	978095
635	138898	1	685	978870	2	735	741720
636	720795	1	686	944204	6	736	981970
637	119450	1	687	976113	1	737	535032
638	222963	1	688	515715	1	738	653100
639	140295	2	689	522650	1	739	994370
640	119445	1	690	284900	1	740	486010
641	691030	1	691	128045	1	741	544810
642	511144	1	692	127829	1	742	200700
643	180342	1	693	114185	1	743	630638
644	325875	2	694	280765	1	744	748695
645	180342	2	695	851850	1	745	490770
646	332201	1	696	118410	1	746	532200
647	511043	1	697	521192	2	747	
648	511137	1	698	220100	1	748	
649	188201	1	699	511109	1	749	
650	308485	1	700	511047	1	750	
						NON	222900
						MODIFIED	
						VERSION	
						DATE	506303



# KALAMAZOO MACHINE TOOL

CT 350 A

RCD \_\_\_\_\_ Dis. N R10154A3  
 Modifica \_\_\_\_\_

DEVICE DESIGNATIONS

- AT Main control (keyboard CEB)
- B Proximity switch
- BQ Position transducer (encoder)
- C Capacitor
- FU Fuse block
- KM Control master relay
- HL Pilot light
- L Filter suppressor
- M Motor
- PA Ampermeter
- PC Pulse counter
- QM Circuit breaker
- RP Potentiometer
- SA Selector switch
- SB Pushbutton
- SQ Stroke-end
- SP Pressure switch
- ST Thermic switch
- TC Control circuit transformer
- TV Voltage transformer
- U Controller A.C.
- V Diode
- VC Rectifier
- X Terminal block
- XS Plug
- XP Receptacle
- YV Solenoid valve

CODE FOR NUMBERING AUXILIARY CONDUCTORS

- (ABCD)
- AB = page's number
- CD = conductor's progressive number

CODE FOR INITIALLING COMPONENTS

- (A B C)
- A = page's number
- B = component's initial
- C = progressive number

CODE FOR LOCATING RELAY CONTACTS

- (A . B)
- A = page's number
- B = column's number

CODE TO REFER LINE

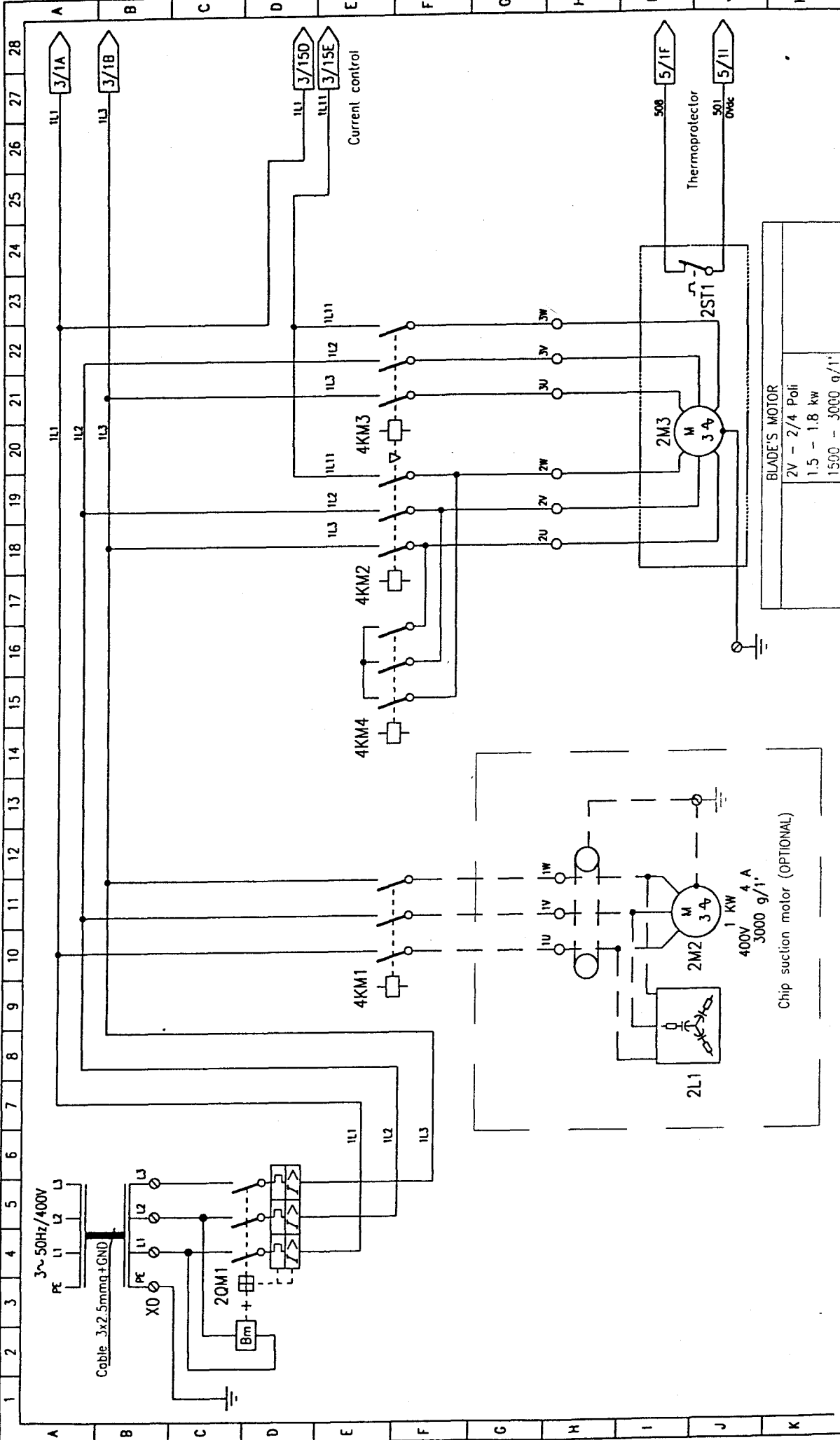
- (A / B)
- A = page's number
- B = column's number and line's letter



# KALAMAZOO MACHINE TOOL

CT 350 A

DISIGNO N° :	QE0093A2
FILE :	0093A201/c
Data :	12.1996
Foglio N° :	1/11



DISEGNO N° : OE0093A2  
 FILE : 0093A202/e  
 Data : 12.1996  
 Foglio N° : 2/11

BLADE'S MOTOR  
 2V - 2/4 Poli  
 1.5 - 1.8 kw  
 1500 - 3000 g/1'

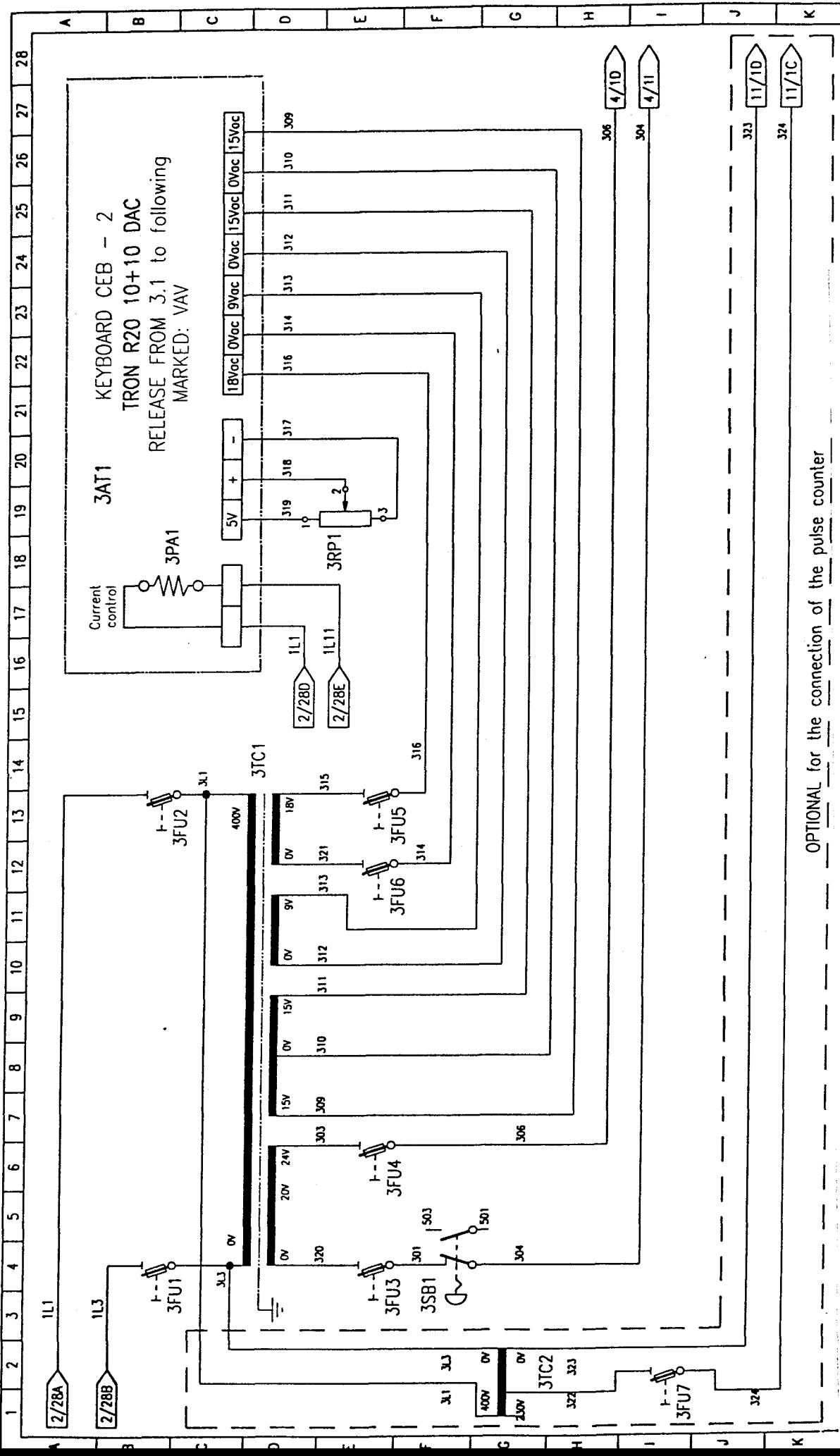
Chip suction motor (OPTIONAL)  
 2M2  
 1 kW  
 4 A  
 3000 g/1'



# KALAMAZOO MACHINE TOOL

CT 350 A

24 25 26 27 28



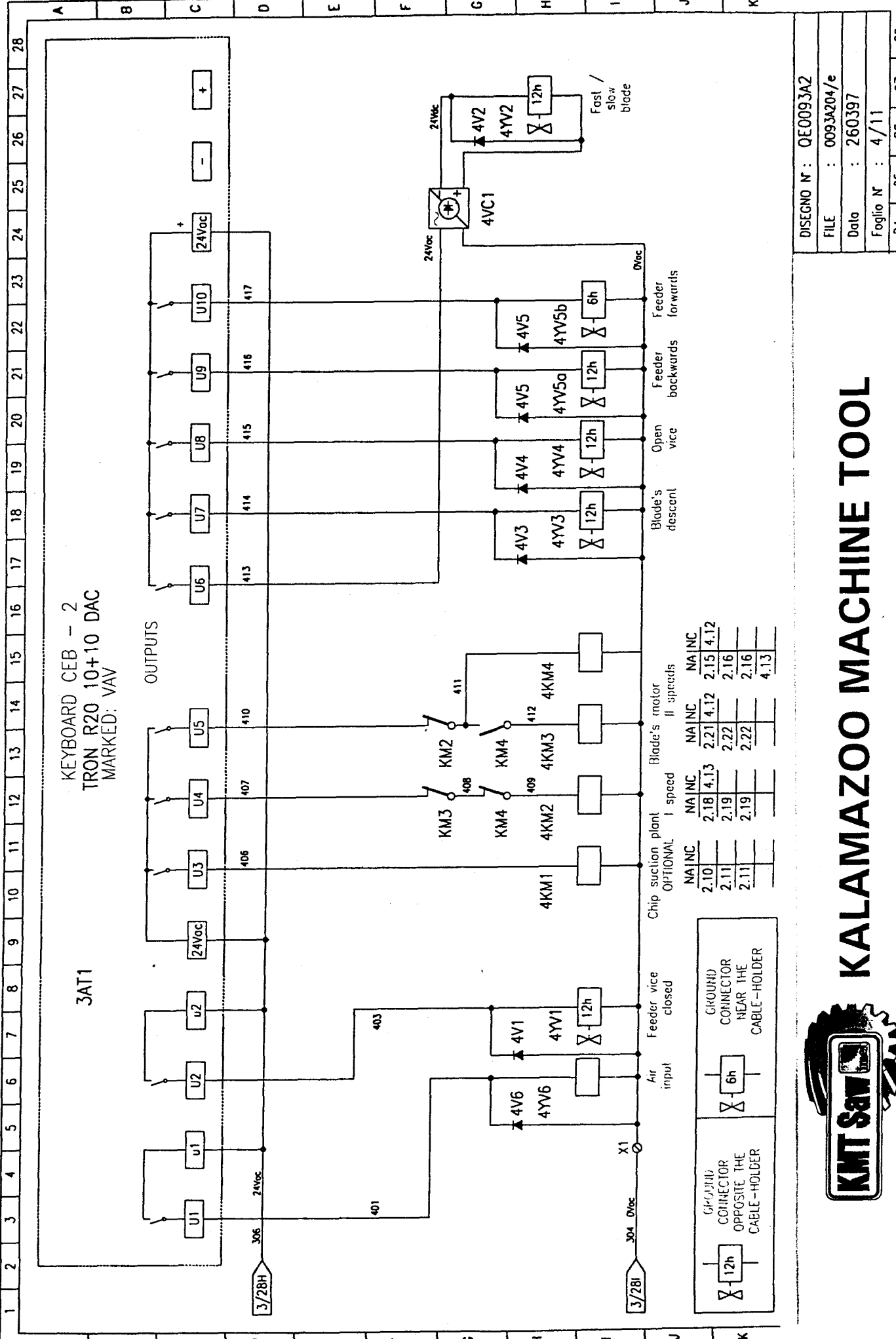
OPTIONAL for the connection of the pulse counter



# KALAMAZOO MACHINE TOOL

CT 350 A

DISIGNO N° :	QE009.3A2
FILE :	009.3A203/e
Data :	08.1996
Foglio N° :	3/11



DISCNO N° : QE0093A2  
FILE : 0093A204/e  
Data : 260397  
Foglio N° : 4/11



# KALAMAZOO MACHINE TOOL







REF.	DEVICE	SPECIFICATIONS	FUNCTION	FACTORY	TYPE	ITEM NO.	Q.TY
20M1	Overload protection	3P-P.I. 6KA-4/6.3A-1ar. 4.5A	Main circuit breaker (rating see page 7)	TELEMECANIQUE	GV2 M10-4/6.3A	766162	1
20M1	Min. voltage relay	400V	Minimum tension coil	TELEMECANIQUE	GV2 AU385	164908	1
20M1	Terminal box	IP55	Terminal box for main circuit breaker	TELEMECANIQUE	GV2 MP02+V01	766198	1
2M2	Spindle motor	1 Kw-400V-5500g/1'	Chip suction motor - OPTIGRAH	BRIANZA ASPIRA	FC 71 B5 2 POLI	562520	1
2M3	3-phase motor	1.5/1.8KW-400V-1500/3000g/1'	Blade's motor	ELETTROADDA	FC 90 2/4 POLI	568150	1
2L1	Filter (optional)	RC 1 cable 5/5V	Noise suppressor	MM	1.50809	554010	1
2S11	Thermoprotectors	Class B	Thermic protection of the blade's motor	TERMIK			3
3A11	Keyboard Release from 3.1	IP65-marking see page 7	Control unit and programming	C.E.B.	R20 10+10 DAC	XF91868	1
3RP1	Potentiometer	5K0hm/308/± 0.3%/IP65	Control of the blade's descent	SICK	SP2841001941	699743	1
3FU1	Fuse block	1 Polo /20A 500V	Protection of primary transformer	LEGRAND	01127	694500	1
3FU1	Fuse	10x38mm./calibro 2A	Protection of primary transformer	WEBER	10X38mm./2A	390111	1
3FU2	Fuse block	1 Polo / 20A 500v	Protection of primary transformer	LEGRAND	01127	694500	1
3FU2	Fuse	10x38mm./calibro 2A	Protection of primary transformer	WEBER	10X38mm./2A	390111	1
3FU3	Fuse block	4mmq./6.3A	Protection of secondary transformer 0-20-24V	CUNTIACLIP	SIK 1 PA	694520	1
3FU3	Fuse	5x20mm./calibro 6.3A	Protection of secondary transformer 0-20-24V	WEBER	5x20mm./6.3A	390001	1
3FU4	Fuse block	4mmq./6.3A	Protection of secondary transformer 0-24V	CUNTIACLIP	SIK 1 PA	694520	1
3FU4	Fuse	5x20mm./calibro 6.3A	Protection of secondary transformer 0-24V	WEBER	5x20mm./6.3A	390001	1
3FU5/6	Fuse block	4mmq./6.3A	Protection of secondary transformer 0-18V	CUNTIACLIP	SIK 1 PA	694520	1
3FU5/6	Fuse	5x20mm./calibro 3.2A	Protection of secondary transformer 0-18V	WEBER	5x20mm./3.2A	390001	1
3FU7	Fuse block - OPTIONAL	4mmq./6.3A	Protection of secondary transformer 0-18V	CUNTIACLIP	SIK 1 PA	694520	1
3FU7	Fuse - OPTIONAL	5x20mm./calibro 3.2A	Protection of secondary transformer 2.50V	WEBER	5x20mm./3.2A	390001	1
3TC1	Singlephase transformer	VA160/Ve 400 Vu1 0-20-24	Protection of secondary transformer 2.50V	WEBER	5x20mm./3.2A	390001	1
		Vu2 15-0-15 Vu3 0-9					
		Vu4 0-18	Low tension supply of auxiliary lines	C.E.	T.T. CEI 14/6	931200	1
3TC2	Singlephase transformer -OPTIONAL	VA 50 Ve400, Vu230	Supply of auxiliary lines for pulse counter	C.E.	T.M. CEI 14/6 50V	932500	1



# KALAMAZOO MACHINE TOOL

CT 350 A

DISEGNO N° : QE0093A2  
 FILE : 0093A208/e  
 Data : 12.1996  
 Foglio N° : 8/11

REF.	DEVICE						SPECIFICATIONS						FUNCTION						FACTORY						ITEM N°						Q.TY	
	SIGLA	COMPONENTE	CARATTERISTICHE	FUNZIONE	COSTRUTTORE	ARTICOLO	CODICE	IMET	Q.TA'	A	B	C	D	E	F	G	H	I	J	K	24	25	26	27	28							
3SB1	Emergency button	dia. 40 mm - Clearing rotation	Emergency stop button	BRETER	RM 065R	709170			1																							
3SB1	Closed contact	NC - Red	Emergency stop button	CEMA	P9XER4RN	260231			1																							
3SB1	Green contact	HC - Green	Emergency stop button	CEMA	P9B01UN	260397			1																							
3P41	Amplifier	integrated in the keyboard 3A11	Blade's motor absorption	CEMA	P9B10UN	-			-																							
4KM1	Control master relay	4KW-9A-24Vac	Chip suction motor - OPTIONAL	LOVATO	MC9-10 24V	260750																										
4KM2	Control master relay	5.7KW-12A-24Vac	Blade's motor I speed	LOVATO	BF12-01 24V	260783			1																							
4KM3	Control master relay	5.7KW-12A-24Vac	Blade's motor II speeds	LOVATO	BF12-01 24V	260783			1																							
4KM4	Control master relay	4KW-9A-24Vac	Blade's motor II speeds	LOVATO	MC9-10 24V	260750			1																							
4KM4	auxiliary contact	1NO+1NC - 9A	Blade's motor II speeds	LOVATO	G320/1	260795			1																							
4Y1	Plug with rectifier	AC/DC 24V	Solenoid valve plug 4Y1	MPM	S11209NR021	261175			1																							
4Y1 o 6	Diode	700V/1A	Noise suppressor		IN 40007	312207			1																							
4Y1	Solenoid valve 5/2	1/8" MANIFOLD 24Vac	Control closed vice	PNEUMAX	CFO 8285239 M2	331559			1																							
4Y2	Solenoid valve 2/2	CARTRIDGE M22 24V dc	Control speed fast/slow	COMAIROL	EVH 06C5 24C 00	331699			1																							
4Y3	Solenoid valve 5/2	1/8" MANIFOLD 24Vac	Control blade's descent	PNEUMAX	CFO 8285239 M2	331559			1																							
4Y4	Solenoid valve 5/2	1/8" MANIFOLD 24Vac	Control open vice	PNEUMAX	CFO 8285239 M2	331559			1																							
4Y5a			Control localer backwards																													
4Y5b	Double solenoid valve 5/2	1/8" MANIFOLD 24Vac 2 coils	Control feeder forwards	PNEUMAX	BAC 8285239 M2	331568			1																							
4Y6	Solenoid valve 3/2	1/8" MANIFOLD 24Vac 3 ways	Control air generator input	PNEUMAX	CFO 8285239 M2	331550			1																							



# KALAMAZOO MACHINE TOOL

DISEGNO N° : QE0093A2  
 FILE : 0093A209/e  
 Data : 12.1996  
 Foglio N° : 9/11

1	2	3	4	5	6	7	8	9	10	11	12	13	14	15	16	17	18	19	20	21	22	23	24	25	26	27	28			
REF.		DEVICE		SPECIFICATIONS											FUNCTION				FACTORY				TYPE				ITEM N°		Q.TY	
A	SIGLA	COMPONENTE	CARATTERISTICHE	FUNZIONE											COSTRUTTORE	ARTICOLO	CODICE IMET	Q.TA'												
B	5SP1	Pressure switch	1/8" - 0.15 Bar NO	Control air input											FLETHROTEC	PMN 2A T1	699897	1												
B	5SQ2	Magnetic stroke-end	IP65 complete with cable	Control closed vice											MPM	DCB18425+DS151+..	774275	1												
B	5SQ2	Magnetic stroke-end	IP65 complete with cable	Control closed vice											MPM	DCB18425+DS151+..	774275	1												
C	5SQ3	Waterlight stroke-end	IP65 complete with cable	Control bar's position											TELEMECANIQUE	XCMA1023	521145	1												
C	5SC4	Waterlight stroke-end	IP65 complete with cable	Control protection guard position											TELEMECANIQUE	XCMA1023	521145	1												
C	5SC5	Waterlight stroke-end	IP65 complete with cable	Control feeder forwards											TELEMECANIQUE	XCMA1023	521145	1												
C	5SC5	Waterlight stroke-end	IP65 complete with cable	Control feeder backwards											TELEMECANIQUE	XCMA1023	521145	1												
D	72	Terminal board	GND Terminals yellow/green	Connections external equipments											CONIACLIP	SL 4	559090	5												
D	72	Terminal board	Simple terminals 2.5mmq/4A	Connections external equipments											CONIACLIP	RK 2.5 4PA	558790	48												
E	7S1	Plug not supplied	4 Pin/10A + GND	External controls											ILME	CK03V+CKM04	786745	1												
E	XP1	Multipolar plug	4 Pin/10A + GND	External controls											ILME	CK31A+CKF04	699750	1												
E	X2	Terminal board	External Terminal	Final close											CONIACLIP	ES35	558810	3												
F	cv0	Flexible cable OUTPUT 5 m	4x2.5mmq.	Connection main supply													205213	1												
G	cv2 o 8	Flexible cable	2x0.75mmq.	Connection of solenoid valves and limit switch														6												
G	cv3	Flexible cable	3x0.25+Shield	Connection of potentiometer														1												
G	cv10	Flexible cable OUTPUT 1.5 m	2x0.75mmq.	Connection solenoid valve FAST/SLOW														1												
G	cv11	Flexible cable	1x1.5mmq	Connection blade motor														8												
G	cv12	Flexible cable OPTIONAL	4x1.5mmq	Connection chip suction motor - OPTIONAL													205065	1												
G	cv13	Flexible cable OPTIONAL	2x0.75mmq.	Connection of pulse counter - OPTIONAL														1												
I	gn1	Flexible tube length 0.8 m	PVC 3/4"	OUTPUTS for stroke-end											TEAFLEX	PAS-G23B	507386	1												
I	gn2	Flexible tube length 0.4 m	PVC 1"	OUTPUTS for solenoid valves											TEAFLEX	PAS-G29B	527352	1												
I	gn3	Flexible tube max. length	PVC 1/4"	OUTPUT for vice stroke-end											TEAFLEX	PAS-G10B	507395	1												
J	gn4	Flexible tube	PVC 1"	Connection control keyboard											TEAFLEX	PAS-G29B	507382	1												
J	gn5	Flexible tube max. length	PVC 1/4"	Output for vice stroke-end											TEAFLEX	PAS-G10B	507395	1												
J	gn6	Flexible tube length 2.7 m	PVC 1/2"	Output for motor											TEAFLEX	PAS-G17B	507392	1												
K	gn7	Flexible tube length 2.5 m	PVC 1/4"	Output for potentiometer											TEAFLEX	PAS-G10B	507395	1												



# KALAMAZOO MACHINE TOOL

DISSEGNO N° : QE0093A2

FILE : 0093A210/eE

Data : 210397

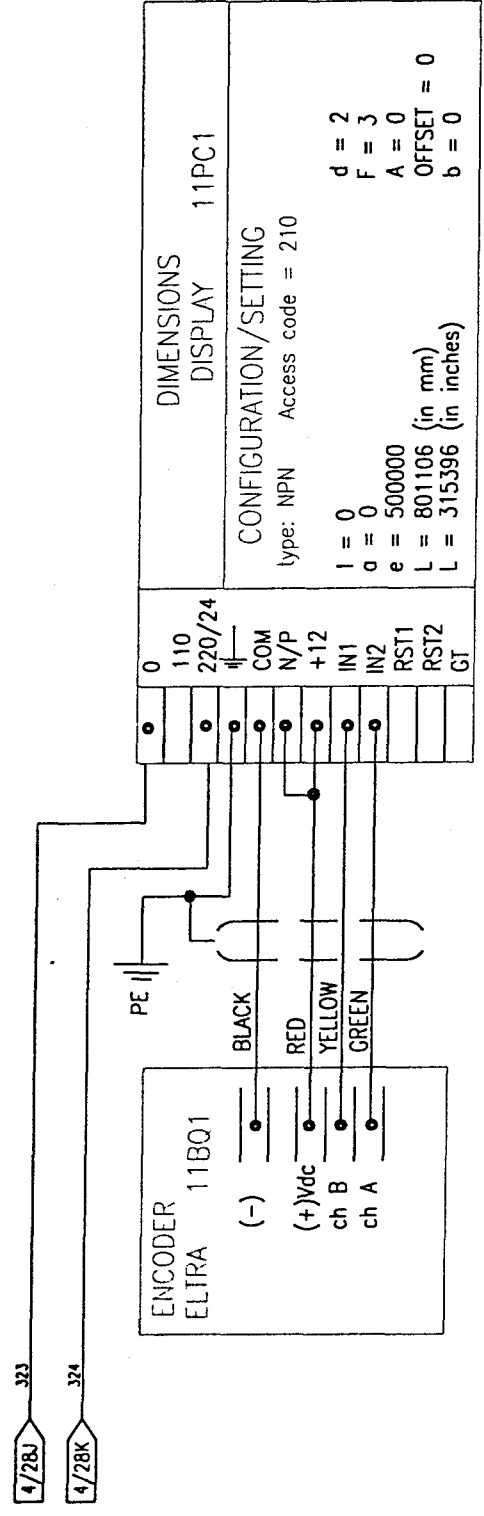
Foglio N° : 10/11

24 25 26 27 28

1 2 3 4 5 6 7 8 9 10 11 12 13 14 15 16 17 18 19 20 21 22 23 24 25 26 27 28

# OPTIONAL

Only for connection of pulse counter



REF.	DEVICE	SPECIFICATIONS	FUNCTION	FACTORY	TYPE	ITEM NO.	Q.TY
11BQ1	ENCODER	500 1/revolutions without 0	Pulse generator	ELIRA	EH38A850058/24C6X.4PR	3.51734	1
11PC1	Digital display	Alim. 230V AC	Pulse counter for feeding	REEL	B2X10E	260216	1



# KALAMAZOO MACHINE TOOL

CT 350 A

DISEGNO N° : QE0093A2				
FILE :				
Data :	12.1996			
Foglio N° :	11/11			
24	25	26	27	28