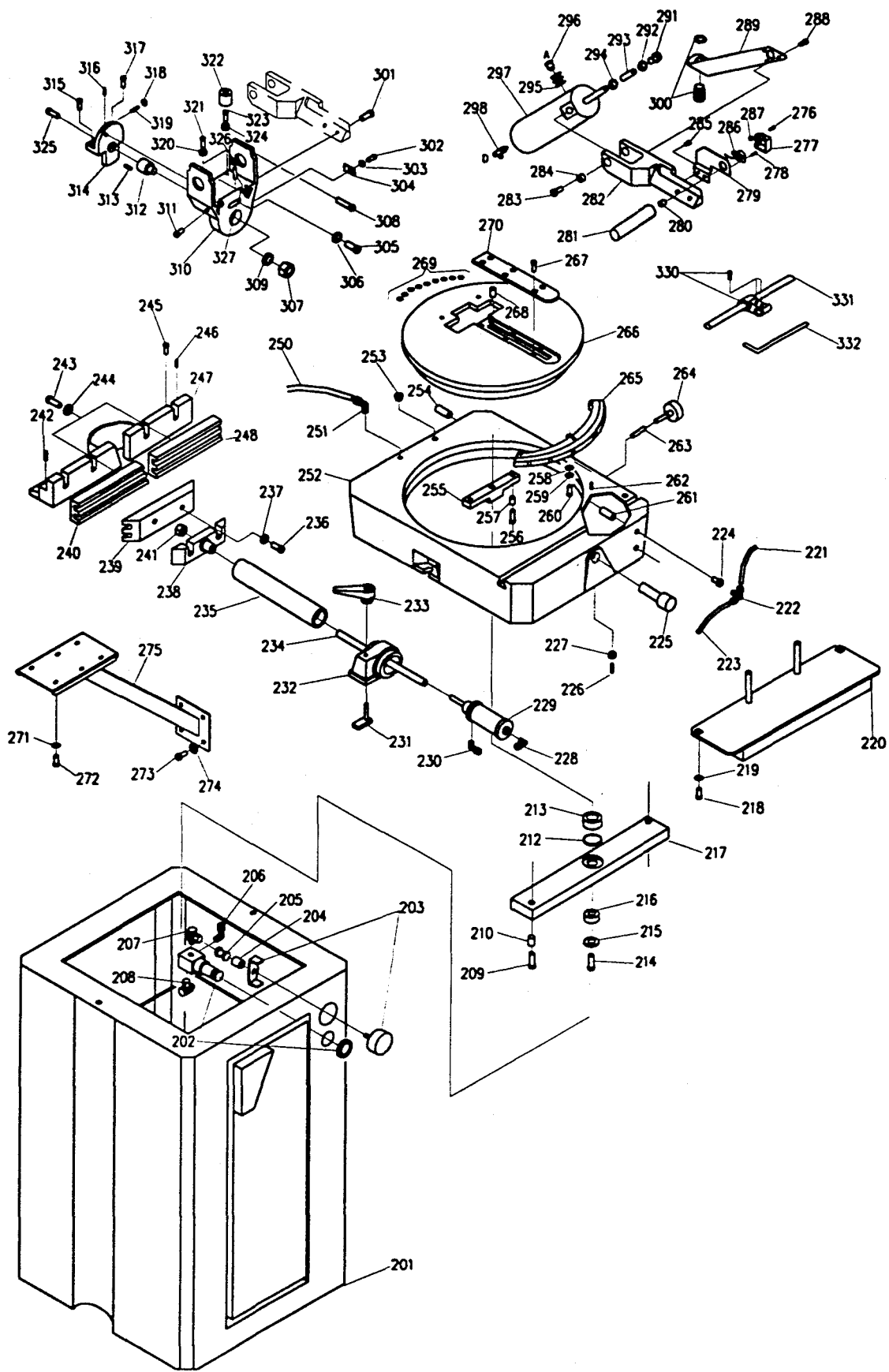


KALAMAZOO MACHINE TOOL

CT 350 SA

99 RCD Dis. N R10034A3

Modifica



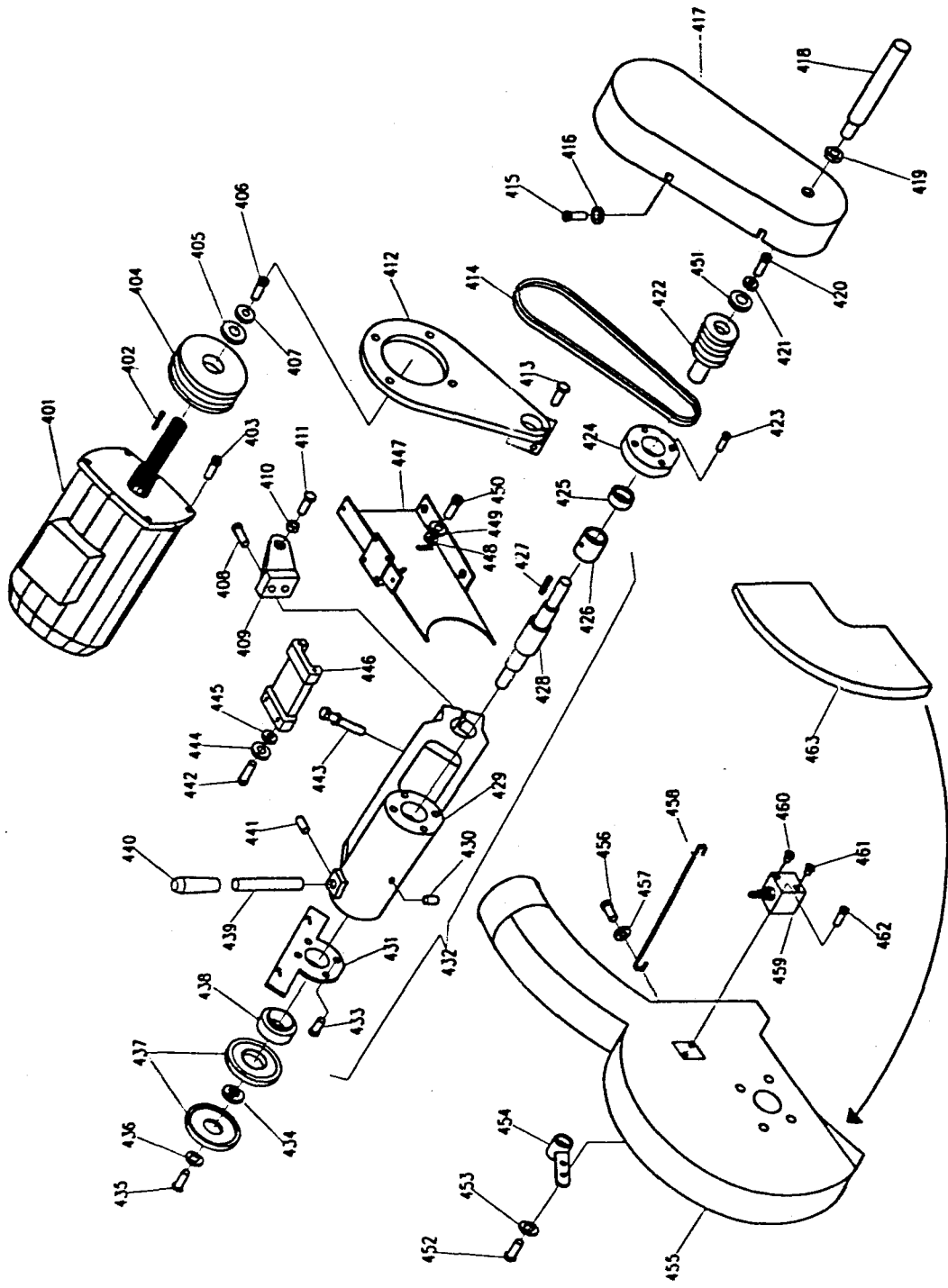
Dis. N R10034A3
RCD

Modifica

KALAMAZOO MACHINE TOOL

CT 350 SA





KALAMAZOO MACHINE TOOL

CT 350 SA

RCD

Dis. N R10034A3

Modifica

N°	CODICE	DESCRIZIONE	Q	N°	CODICE	DESCRIZIONE	Q	N°	CODICE	DESCRIZIONE	Q
1	712000		1	51			1	101			
2	709407		1	52	933716		1	102			
3	260231		1	53	695020		1	103			
4	260397		1	54	716145		1	104			
5	667770		6	55	331925		1	105			
6	728800		1	56	720035		1	106			
7	327209		1	57	720050		1	107			
8			1	58	720035		1	108			
9			1	59	935470		1	109			
10	788220		1	60	521580		2	110			
11	943681		1	61	977650		1	111			
12	513739		1	62	970200		8	112			
13	139923		1	63	266111		1	113			
14	976113		2	64	260745		4	114			
15	712111		1	65	694845		4	115	377201		2
16	727019		1	66	390001		2	116	390001		1
17	202202		1	67			1	117	747502		4
18	933716		1	68			1	118	966470		1
19	331925		1	69			1	119			
20	695020		1	70	931200		1	120			
21	716145		1	71	970200		10	121	749470		4
22	937000		1	72	266000		1	122	995000		1
23	716834		1	73	164908		1	123	260750		2
24	734694		1	74	766162		1	124	260795		1
25	331699		1	75	766198		1	125	260870		1
26	864825		1	76	629000		1	126	390010		2
27	182962		1	77	969915		2	127	559092		5
28	699897		1	78	630700		1	128	558810		1
29	719245		4	79	205213		1	129	865100		1
30	865936		1	80	718875		1	130	532500		1
31	327856		1	81	718862		1	131	572780		1
32	970248		2	82	507382		1	132			
33	775918		1	83	507382		1	133			
34	715370		1	84			1	134			
35	775918		1	85			1	135			
36	260125		1	86			4	136			
37	164010		1	87			2	137			
38	331611		2	88			1	138			
39	294002		2	89			2	139			
40	695020		1	90			1	140			
41	716145		1	91			1	141			
42	506873		1	92			1	142			
43	539534		1	93			1	143			
44	976084		2	94			2	144			
45	715370		1	95			1	145			
46	935470		1	96			1	146			
47	977485		3	97			3	147			
48	699750		1	98			1	148			
49	786845		1	99			1	149			
50			1	100			1	150			



KALAMAZOO MACHINE TOOL

CT 350 SA

RCD Dis. N R10034A3

Modifica

N°	CODICE	DESCRIZIONE	Q	N°	CODICE	DESCRIZIONE	Q	N°	CODICE	DESCRIZIONE	Q
201	230092		1	251	720050		1	301	984070		1
202	727187		1	252	144539		1	302	991270		1
203	539317		1	253	865720		1	303	747920		1
204	533245		1	254	721234		1	304	911026		1
205	716856		1	255	855364		1	305	988170		1
206	719123		1	256	980420		2	306	747145		1
207	720050		1	257	791223		2	307	307567		1
208	720050		1	258	744045		2	308	983535		1
209	981970		2	259	750011		2	309	745109		2
210	791223		2	260	978870		2	310	861791		1
211				261	717695		1	311	995920		1
212	119592		1	262	789770		1	312	645998		1
213	289910		1	263	138836		1	313	782868		1
214	984141		1	264	962308		1	314	656813		1
215	742265		1	265	775583		1	315	974220		2
216	288083		1	266	318106		1	316	789770		1
217	855332		1	267	998734		1	317	975000		1
218	978095		2	268	941302		2	318	300900		1
219	744820		2	269	777703		2	319	943562		1
220	774332		1	270	668433		1	320	307720		1
221	934695		1	271	749470		1	321	995145		4
222	721907		1	272	977650		1	322	114976		1
223	934695		1	273	977650		1	323	979645		1
224	727779		1	274	744045		1	324	307720		1
225	613394		1	275	169449		1	325	974220		1
226	946320		1	276	975910		1	326	307720		1
227	300745		1	277	265795		1	327	946380		1
228	727022		1	278	975910		1	328			1
229	221606		1	279	699741		1	329			1
230	719245		1	280	179350		1	330	725445		1
231	929760		1	281	650000		1	331	134120		1
232	863100		1	282	354995		1	332	726995		1
233	536585		1	283	978670		2	333			1
234	957031		1	284	167257		2	334			1
235	221391		1	285	970273		2	335			1
236	980420		2	286	699743		1	336			1
237	744045		2	287	630640		1	337			1
238	478094		1	288	970273		3	338			1
239	485986		1	289	698408		1	339			1
240	492537		1	290			1	340			1
241	294306		1	291	781000		1	341			1
242	943220		2	292	303845		1	342			1
243	979645		4	293	929338		1	343			1
244	744045		4	294	303845		1	344			1
245	980420		1	295	734694		3	345			1
246	789770		2	296	719061		1	346			1
247	793309		1	297	220107		1	347			1
248	477906		1	298	715501		1	348			1
249			1	299			1	349			1
250	934695		1	300	718875		1	350			1



KALAMAZOO MACHINE TOOL

CT 350 SA

RCD

Dis. N

R10034A3

Modifica

N°	CODICE	DESCRIZIONE	Q	N°	CODICE	DESCRIZIONE	Q	N°	CODICE	DESCRIZIONE	Q
401	568150		1	451	741720		1	501			
402	217820		1	452	978095		2	502			
403	968795		4	453	751795		2	503			
404	706100		1	454	853500		1	504			
405	741720		1	455	198608		1	505			
406	751795		1	456	978095		1	506			
407	995920		1	457	751795		1	507			
408	983893		2	458	198608		1	508			
409	146000		1	459	615554		1	509			
410	300900		1	460	716870		1	510			
411	974100		1	461	716870		1	511			
412	558200		1	462	976084		2	512			
413	987809		1	463	354050		1	513			
414	225570		1	464			1	514			
415	995000		2	465			1	515			
416	749470		2	466			1	516			
417	193403		1	467			1	517			
418	338750		1	468			1	518			
419	304620		1	469			1	519			
420	997470		1	470			1	520			
421	751795		1	471			1	521			
422	707007		1	472			1	522			
423	978095		4	473			1	523			
424	352000		1	474			1	524			
425	290670		1	475			1	525			
426	182000		1	476			1	526			
427	217820		1	477			1	527			
428	113602		1	478			1	528			
429	170228		1	479			1	529			
430	788995		1	480			1	530			
431	854100		1	481			1	531			
432	171800		1	482			1	532			
433	968795		4	483			1	533			
434	123270		1	484			1	534			
435	956844		1	485			1	535			
436	546914		1	486			1	536			
437	347245		2	487			1	537			
438	325545		1	488			1	538			
439	132828		1	489			1	539			
440	513095		1	490			1	540			
441	942445		1	491			1	541			
442	981195		1	492			1	542			
443	982500		1	493			1	543			
444	741720		1	494			1	544			
445	751795		1	495			1	545			
446	862800		1	496			1	546			
447	193900		1	497			1	547			
448	751795		1	498			1	548			
449	744820		1	499			1	549			
450	978095		1	500			1	550			



KALAMAZOO MACHINE TOOL

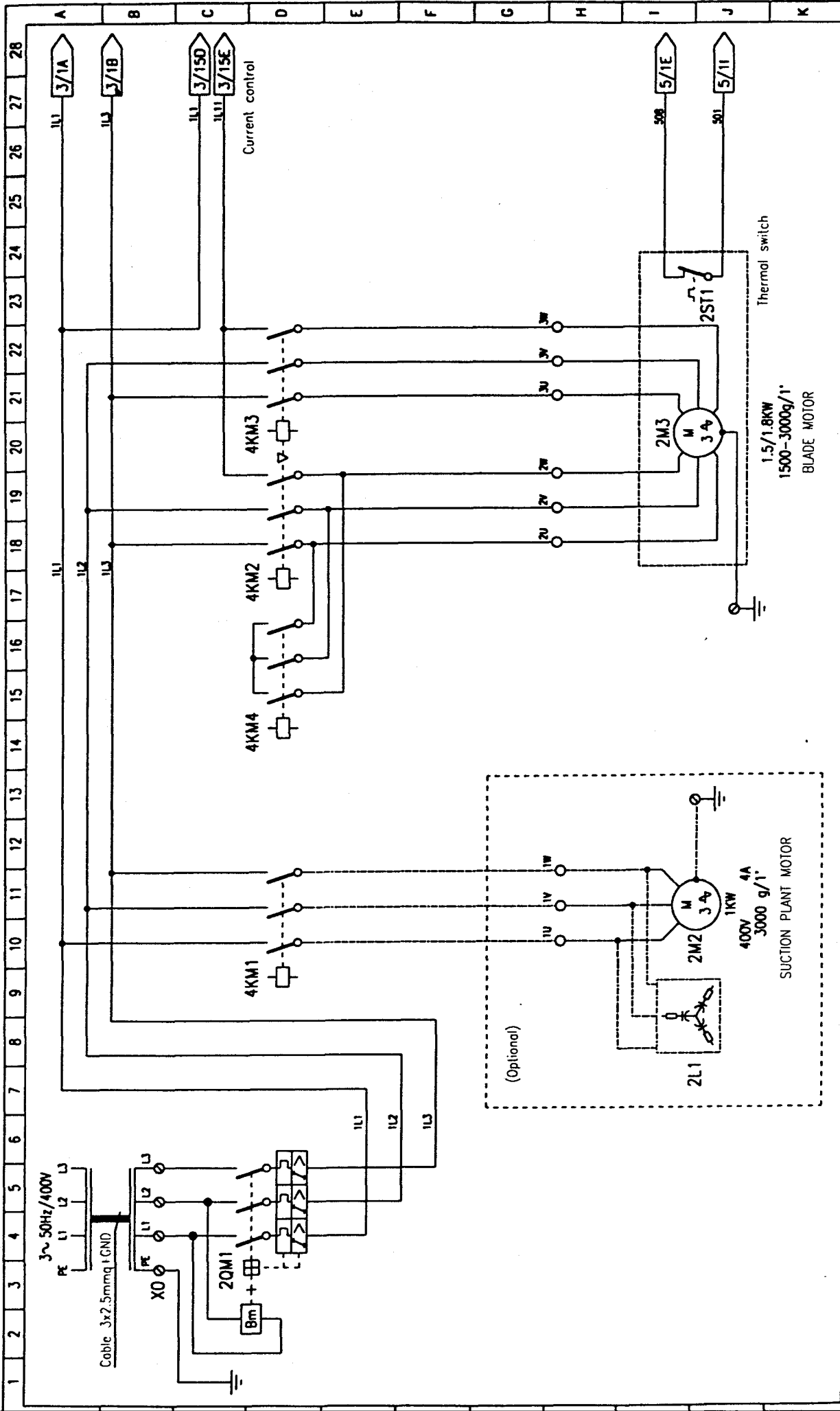
CT 350 SA

RCD

Dis. N

RI0034A3

Modifica

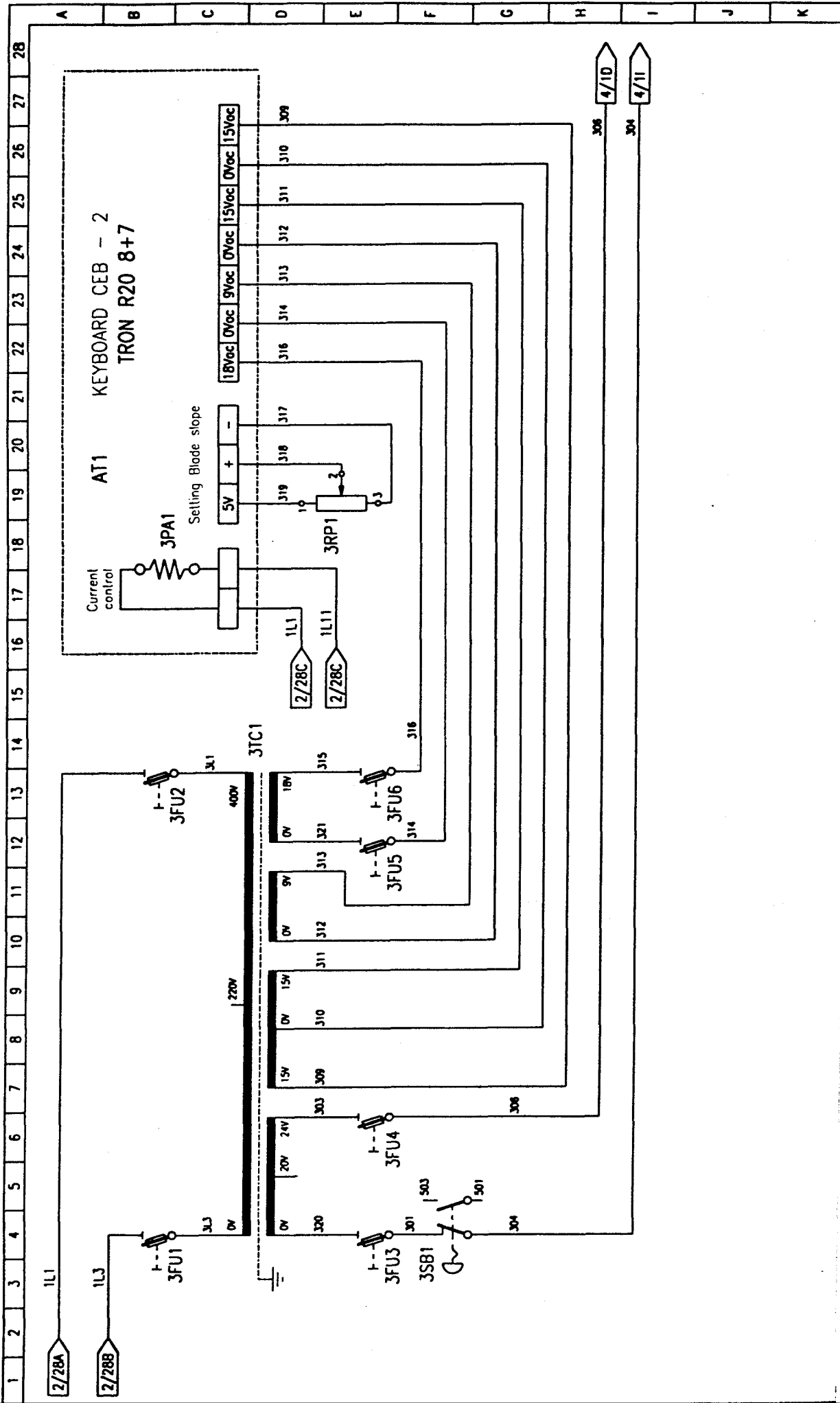


DISSEGNO N°	QE0011C2
FILE	: 0011C002/e
Data	: 11.1995
Foglio N°	: 2

CT 350 SA

KALAMAZOO MACHINE TOOL





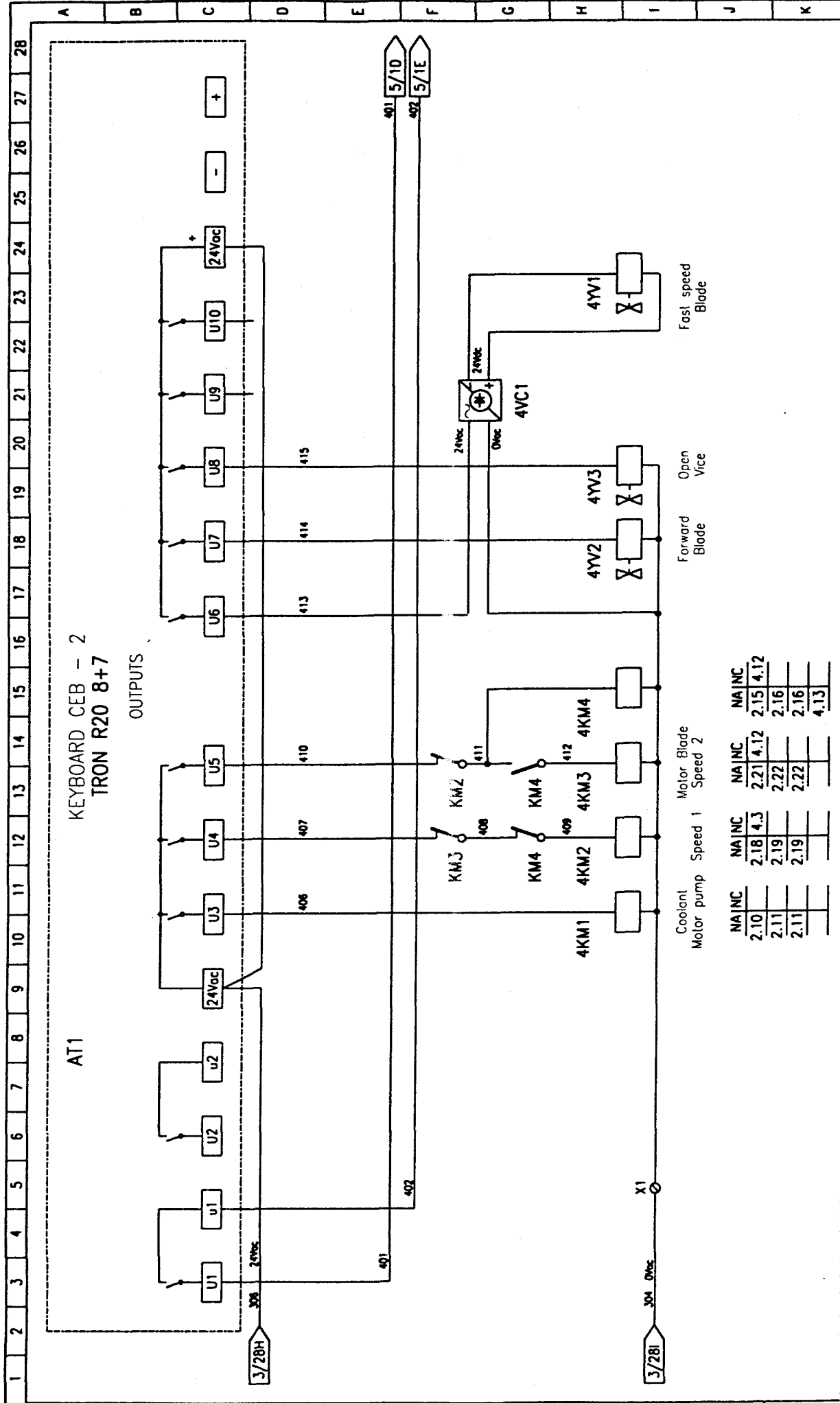
AT1
KEYBOARD CEB - 2
TRON R20 8+7

DISIGNO N° :	OE0011C2			
FILE :	0011C03/e			
Delta :	11.1995			
Foglio N° :	3			
24	25	26	27	28



KALAMAZOO MACHINE TOOL

CT 350 SA



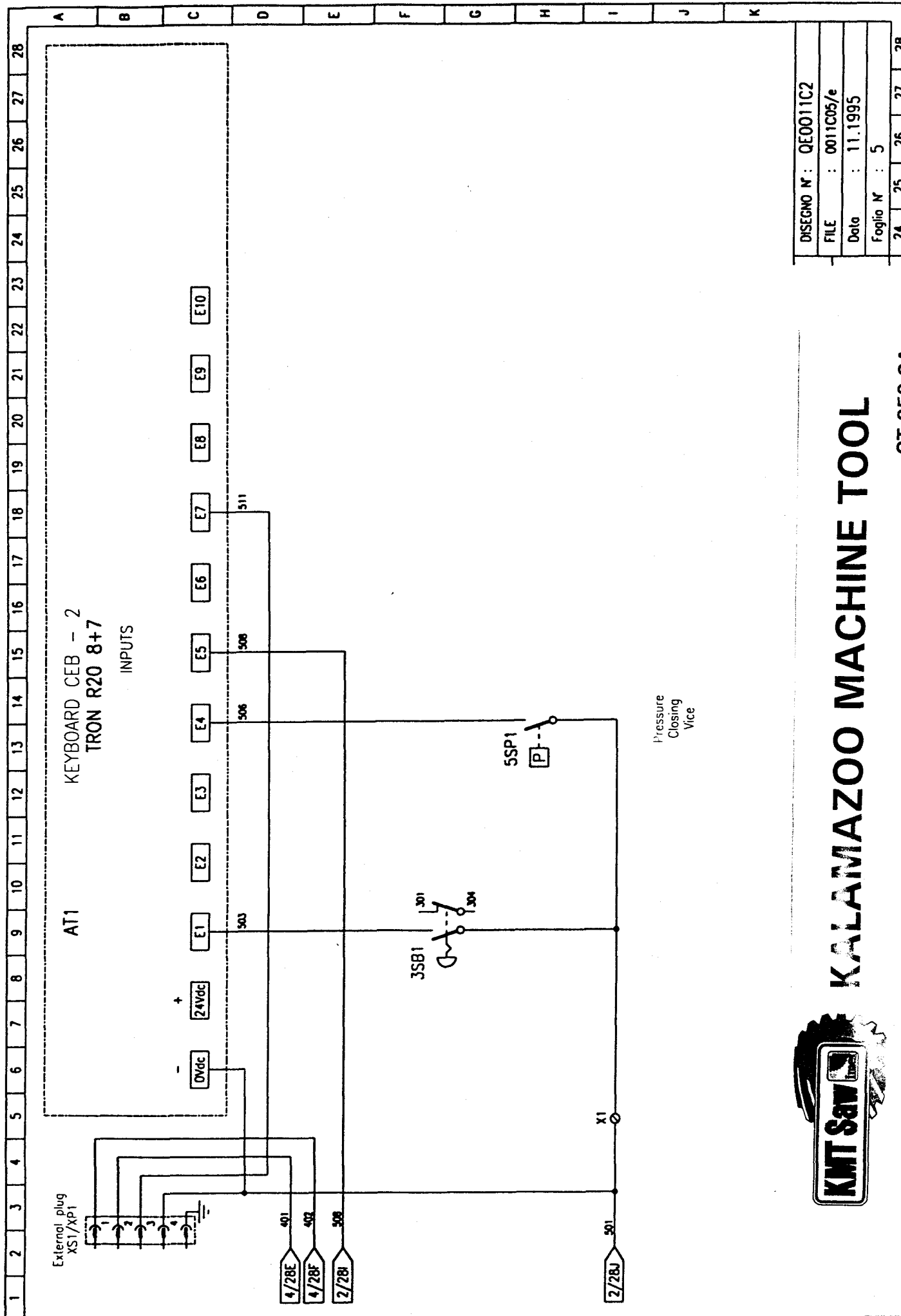
DISCENO N° :	QE0011C2
FILE :	0011C04/e
Data :	11.1995
Foglio N° :	4



KALAMAZOO MACHINE TOOL

CT 350 SA

24	25	26	27	28
----	----	----	----	----



1 2 3 4 5 6 7 8 9 10 11 12 13 14 15 16 17 18 19 20 21 22 23 24 25 26 27 28

External plug
XS1/XP1

AT1
KEYBOARD CEB - 2
TRON R20 8+7

INPUTS

E10

E9

E8

E7

E6

E5

E4

E3

E2

E1

24Vdc

0Vdc

511

508

506

503

4/28E

4/28F

2/28I

3SB1

5SP1

X1

2/28J

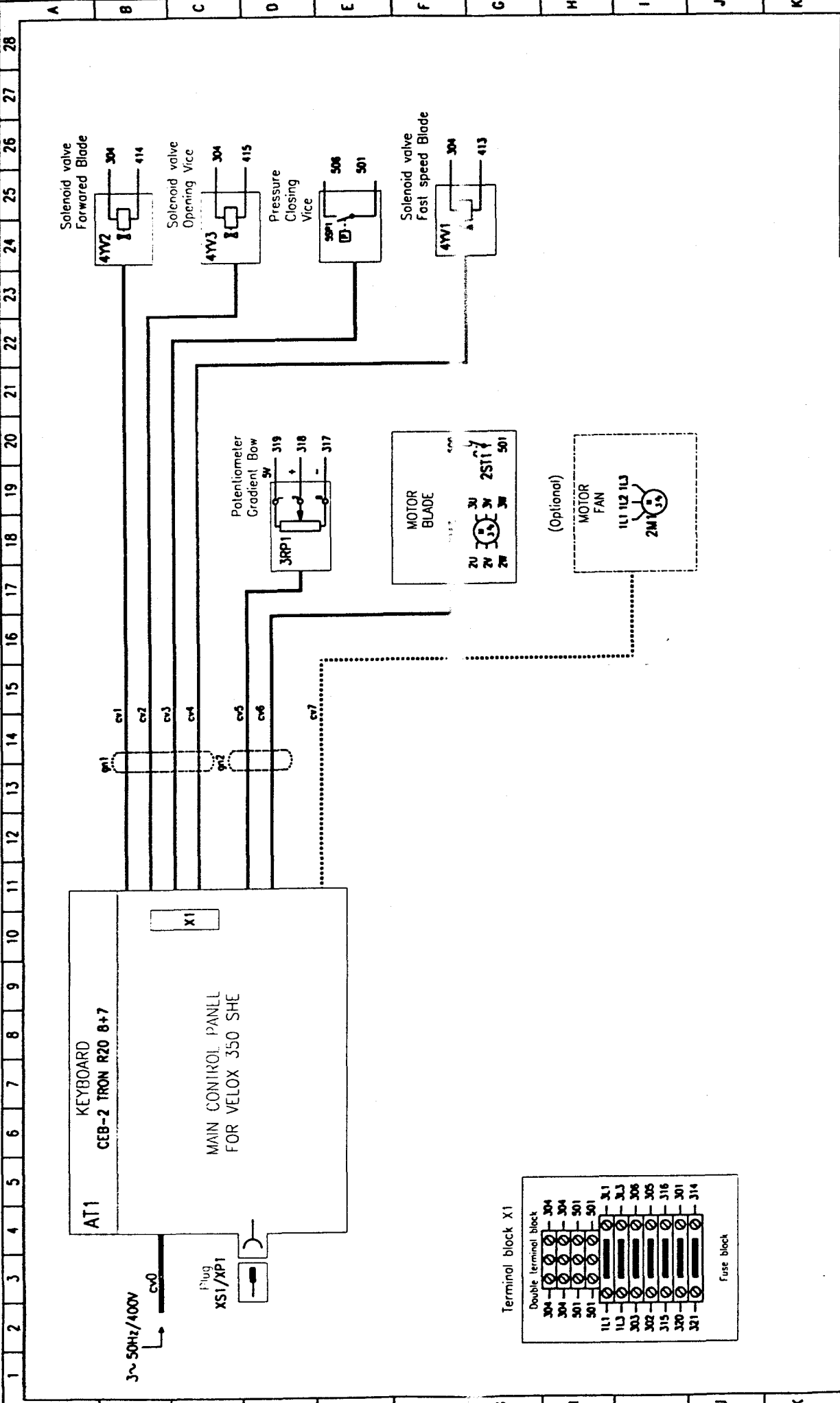
Pressure
Closing
Vice



KALAMAZOO MACHINE TOOL

CT 350 SA

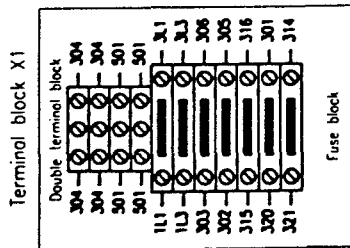
DISSEGNO N° :	QE0011C2			
FILE :	0011C05/e			
Data :	11.1995			
Foglio N° :	5			
24	25	26	27	28

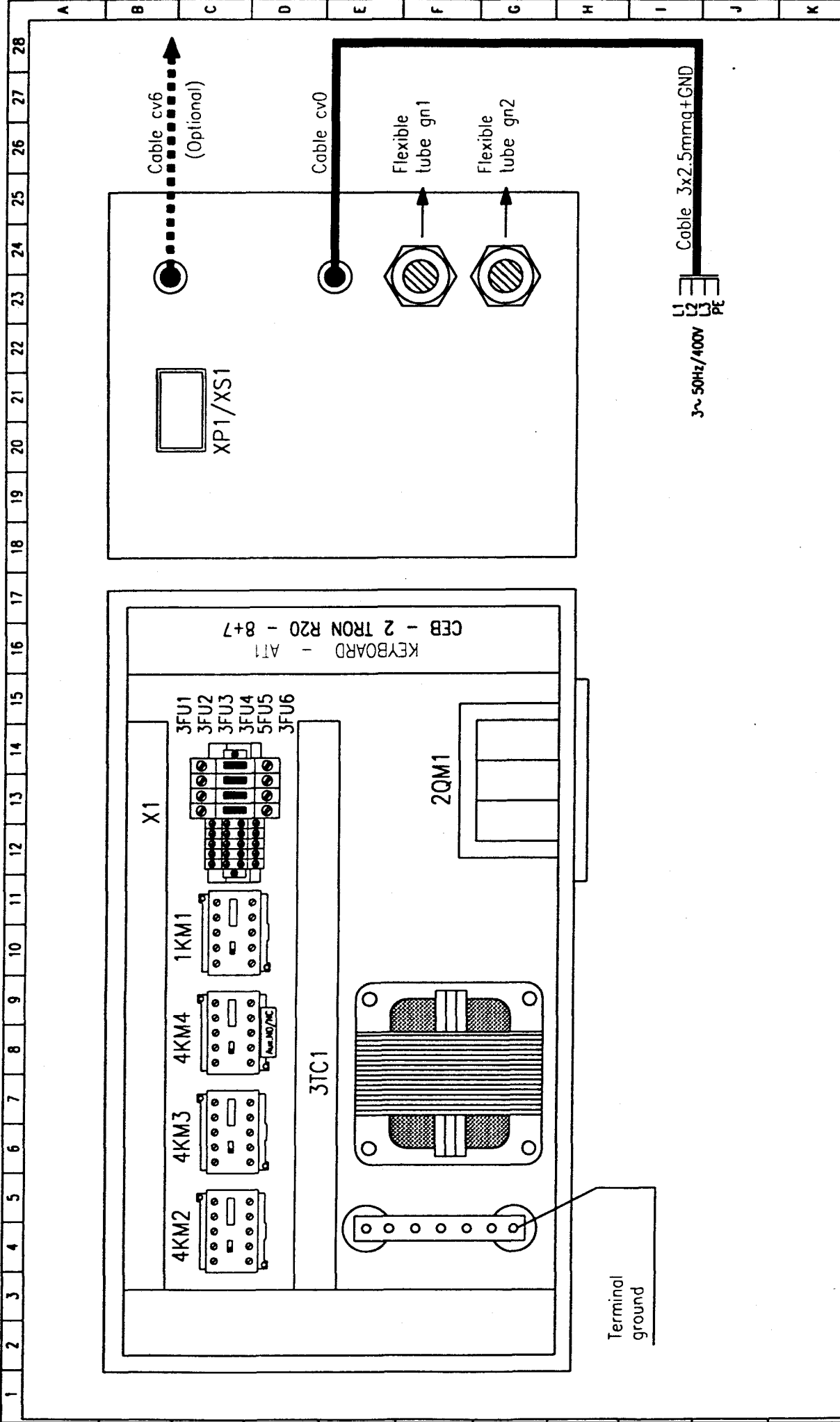


DISEGNO N° : QE0011C2
 FILE : 0011C06/e
 Data : 11.1995
 Foglio N° : 6
 24 25 26 27 28

KALAMAZOO MACHINE TOOL

CT 350 SA





1 2 3 4 5 6 7 8 9 10 11 12 13 14 15 16 17 18 19 20 21 22 23 24 25 26 27 28

A B C D E F G H I J K

DISEGNO N° :	QE0011C2
FILE :	0011C07/e
Data :	11.1995
Foglio N° :	7

KALAMAZOO MACHINE TOOL

KMT Saw

CT 350 SA

24 25 26 27 28

REF.	DEVICE	SPECIFICATIONS	FUNCTION	FACTORY	TYPE	ITEM N°	Q.TY
4KM1	Control master relay	4KW-9A-24Vac	Power coolant motor pump	LOVATO	MC9-10 24V	260750	1
4KM2	Control master relay	4KW-9A-24Vac	Power motor band - speed 1	C.G.E.	MC1A 10 24V		
4KM3	Control master relay	4KW-9A-24Vac	Power motor band - speed 2	LOVATO	MC9-01 24V	260745	1
4KM4	Control master relay	4KW-9A-24Vac	Power motor band - speed 2	C.G.E.	MC1A 01 24V		
4KM4	Auxiliary contact for master relay	1NO+1NC - 9A	Power motor band - speed 2	LOVATO	MC9-01 24V	260745	1
4Y1	Solenoid valve 2/2 (hydraulic)	Size M22 - 24Vdc	Control fast speed band	C.G.E.	MC1A 01 24V		
4Y2	Solenoid valve 5/2 (pneumatic)	CE10P 3 - 24Vac	Control forward band	LOVATO	MC9-10 24V	260750	1
4Y3	Solenoid valve 5/2 (pneumatic)	CE10P 3 - 24Vac	Control open vice	C.G.E.	MC1A 10 24V		
4VC1	Terminal connector	Ac/dc 24V	Connection solenoid valve 4YV1	LOVATO	G320/1	260795	1
XS1	Plug	1/8" - 0.15 Bar NO	Control close vice	C.G.E.	CBR2E 11T		
XP1	Receptacle	4 Poles/10A+GND	Remote control	COMATROL	EVH06C5 24C 00	331699	1
X1	Terminal block	4 Poles/10A+GND Double terminal 2.5mmq./4A	Remote control Connection external equipments	BONESI	EC138 B1AE	331611	1
				BONESI	EC138 B1AE	331611	1
				MPM	SP 999	260175	1
				ELETTROTEC	PMN ZA T1	699897	1
				ILME	CK03V+CKM04	786745	1
				ILME	CK31A+CKF04	699750	1
				CONTACTLIP	RKD 2.5 PA	559092	5



KALAMAZOO MACHINE TOOL

CT 350 SA

DISEGNO N° : QE0011C2

FILE : 0011C09/e

Data : 11.1995

Foglio N° : 9

