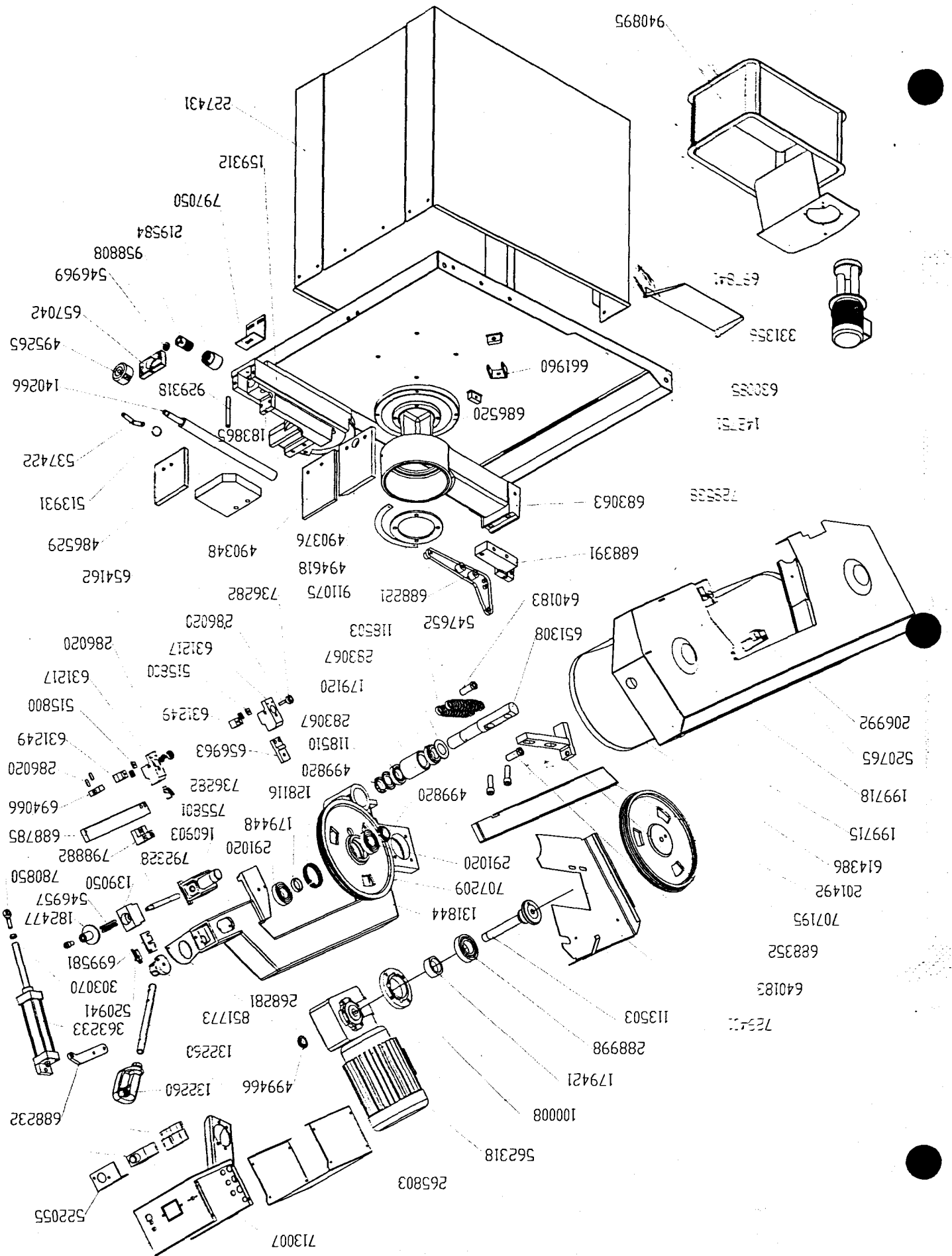


NA	NC
2.11	
2.21	
2.22	
3.13	

1	2	3	4	5	6	7	8	9	10	11	12	13	14	15	16	17	18	19	20	21	22	23	24	25	26	27	28	
															3 2 1 N°		DATA		MODIFICHE		MACCHINA TIPO: Bdsic270/60 GH ESC 230V60Hz 24V		DESCRIZIONE : Electrical drawing Schema elettrico generale		DISEGNO N° : QeUSA23060M24V 2		FILE : Data : 05.2006 Foglio N° : 3	



ENGLISH	ITALIANO	COD.
FLANGE FOR BONE REDUCT BAS.270	ADATTACR.RIDW63 BONE BASIC270	100008
REAR PULLEY SHAFT BASIC320	ALBERO PULEGGIA POST.BASIC270	113503
NYLOS SEAL 32007XAV	ANELLO N.LOS RING 32007XAV	118503
NYLOS SEAL 6206AV	ANELLO N.LOS RING 6206AV	118510
SEEGER INNER RING J72	ANELLO SEEGER J72 PULEGGE FORO 72	128116
SAW FRAME BASIC270	ARCO BASIC 270/60 LAV+PREM	131844
24V CONTROL LEVER BS230/60	ASTA COM 24V BS230/60 MANUALE	132260
24V CONTROL LEVER BS230/60	ASTA COM 24V BS230/60 MANUALE (IMPUG.T.RCHESE RAL5018)	132260
24V CONTROL LEVER BS230/60	ASTA COM 24V BS230/60 MANUALE (IMPUG.T.RCHESE RAL5018)	132260
CUP SPRING HOLDER FOR BASIC270	ASTUCCIO MOLLE NASTRO E-SIC270 BASIC270	139050
VICE CHROM.BAR BASIC270	BARRA CRCMATA MORSA BASIC270	140266

142751	BASAMENTO LAMIERA BASIC270	IRON SHEET BASE BASIC270
159312	LAVORATO	FIXED VICE BASIC 270 1X60°
160903	BLOCCO PORTA PUL ANT BASIC270	BAND TENSIONER SUPPOR BASIC270
172190	BUSSOLA PERNÒ BS280	D8X15 PLATE BLOCKING BUSH
179120	OSCL BASIC270	PIN BUSHER BASIC320
179421	BUSSOLA DIST PUL POST BASIC270	REAR PULLEY BUSHER BASIC320
179448	BUSSOLA DIST PUL ANT BASIC270	FRONT PULLEY BUSHER BASIC270
182477	BUSSOLA TENDINASTR. BS230 270	BUSH
183865	CARRELLÒ MORSA BASIC230 270	BS230/60 CARRIAGE VICE
199715	CARTER FISSO BASIC270	FIXED BAND GUARD BASIC270
199718	CARTER MOBILE BASIC270	MOBILBAND GUARD BASIC270
201492	CARTER COPRICALVI ARCO BASIC270	CABLE GUARD BASIC270
206992	CHIAVE DI AZIONAMENTO VF KEYD2 PIZZATO	CHIOCCIOLO CHIUS MORSA B BS230/60 CLOSURE VICE
219584	S230 270	HINGE
227431	COLONNA BASIC270 SMONTATA IN CARTONE	FLOOR STAND BASIC320
227431	COLONNA BASIC270 SMONTATA IN CARTONE	FLOOR STAND BASIC320
227431	COLONNA BASIC270 SMONTATA IN CARTONE	FLOOR STAND BASIC320
227431	COLONNA BASIC270 SMONTATA IN CARTONE	FLOOR STAND BASIC320
227431	COLONNA BASIC270 SMONTATA IN CARTONE	FLOOR STAND BASIC320
227431	COLONNA BASIC270 SMONTATA IN CARTONE	FLOOR STAND BASIC320
268281	COPRIFRANCORSA ANT NASTRO BS230/60	BAND STROKE-END COVER BS230/60
283067	CUSCINETTO 32007X CONICO VTF50 0	TAPERED BEARING 32007 VTF500
286020	CUSCINETTO 608 2ZR 8X22X7	BRUSH/PUMP CARRIAGE CONNECTION
288998	CUSCINETTO 6209 2RS 45X85X19	CARRIAGE CONNECTION 6209 ZZR
291020	CUSCINETTO 6207 2RSR 35X72X17	CARRIAGE CONNECTION 6207 35X72
303070	DADO ES M10 UN15588 6 S BRUNIA	HEXAGONAL NUT M10 UN15588 6 S
331356	EL.POMPA MON RPS-20 400-50 230 10.06KW- P 140MM-124-S1-SAME	EL. PUMP 2PH 230/400V RPS-20
363233	ARCO-REGOL.+TUBI FRENÒ BS280GH (PER KIT GRAVITA)	HYDRAULIC BRAKEVALVE BS280 GH
486529	GANASCIA MORSA DX BASIC270 1X60°	VICE CARRIAGE JAW BASIC320/60
490348	GANASCIA MORSA SX BS270 1X60°	RIGHT VICE JAW BASIC320/60
490376	GANASCIA MORSA SX BS270 1X60°	LEFT VICE JAW BASIC270
494618	GHIERA INTERF. ALTA F. BS230/270	PLATFORM INTERNAL LOCKRING BS2
495265	GHIERA VTEMORSA BS230/270	VICE SCREW HANDLE HOLDER BS230
499466	GHIERA GP LOCCANTE	SELF LOCKING RING M25X1,5

LOCANTE

513931	NERA D. 12X40 (MONT PRESS.) INSERTO QUADRO	BLACK HANDLE D. 12X40
515800	ODC4 2G WXP0274=GATTIA191DB10 SVAS 19.3X4 F4	SQUARE CARBURE PAD 19.3X4 F4
520765	INTER SICUR.FK3393-D1 CHIAV. 90° PIZZATO FINCORSA LEVA ABV121260 NAIS=OMRON	SAFETY SWITCH FK3393-D1
520941	D2VW5L151M-BS-230 LAMIERA X REGOL.VEL.BASIC230GH	STROKE-END ABV161660 BASIC230GH SHEET X SPEED REGUL
522055	MANIGLIA MORSE D. 12LUNGA BRUN. BS340 SIRIO DOPPIE/320	HANDLE D. 12 FOR SIRIO VICES
537422	MOLLA TAZZA 31.5X16.3X2 TENDIN AST BS280	CUP SPRING 31.5X16.3X2
546969	MOLLA TAZZA 25X12.2X1.5 MOLLA PER ARCO BS230- 280-330-3 40	CUP SPRING 25X12.2X1.5 SAW FRAME RETURN SPRING 340280
547652	PARASPRUZ.REFRIG.BAS. BASIC270	COOLANT SPLASH GUARD BASIC320
630085	PATTINO GUIDALAM.EISS.BASIC270	FIXED BAND GUIDE BASIC270
631217	PATTINO GUIDALAM.MOB.BASIC270	MOBIL BAND GUIDE BASIC270
640183	PERNO ATT.FRENO BASIC270GH PERNO OSCILLANTE	OSCILLATING PIN FOR BASIC270
651308	BASIC270 PIANO LATERALE APP.DX	WORKTABLE, DX PART BASIC270
654162	BASIC270 1X60° PIASTRA	REAR SUPPORT BAND GUIDE BASIC270
656963	ATT.PATTI POST.BASIC270 PIASTRA FRONT.MORSA BS230 270	ROTATION STOP BASIC320
661960	PIASTRA FERMO ROTAZ.PIAT.BS270 PIATTAFORMA GIREV.BASIC270 LAV	TURNING PLATFORM BASIC320
683063	PIATTELLO ORATA BASAM.BS230/270 LAVO	BASE PLATE BS230/60 BRAKE LOWER PLATE BASIC270GH BRAKE UPPER PLATE BASIC270GH UPPER SPRING HOLDER BASIC270GH LOWER SPRINGS HOLDER BASIC270
686520	RATO BASAM.BS230/270 LAVO	BEARINGS SUPPORT PLATE BASIC320
688221	PIATTO ATT.INF.CIL.GH BASIC270	PIATTO CUSCINETTO PORTA CUSCINETTO
688232	PIATTO ATT.SUP.CIL.GH BASIC270	PIATTO GUIDALAMA ANT.BASIC270
688352	PEZZO ATT.FOC.MOLLE GH BASIC270	PORTA ELETTROPOMPA X BASIC270 VASCHETTA ELECTROPUMP SUPPORT BASIC270
688391	PEZZO ATT.FOC.MOLLE INF.BASIC270	PIATTO GUIDALAMA ANT.BASIC270
688785	ANT.BASIC270 PORTA CUSCINETTO	BAND GUIDE PLATE BASIC320
694066	NASTRO BS270 (608ZZ) PORTA ELETTROPOMPA X	BEARINGS SUPPORT PLATE BS320
697841	DELTA BASIC270 VASCHETTA	ELECTROPUMP SUPPORT BASIC270
699581	PORTA FINCORSA ANT.NASTRO BS23 0/60	BAND FRONT STROKE-END HOLDER
707195	PULEGGIA D.320X14 POST.BS280	BACK PULLEY D.320X14 BS280
707209	PULEGGIA D.320X12 ANT.BS280	FRONT PULLEY D.320X12 BS280
713007	QUADRO COMANDO ELETTRO.BASIC270	EL.CONTROL BOX BASIC320

RIPARO ANTER.NASTRO	728538	BASIC270	RIPARO NASTRO	728566	RIPARO NASTRO
FRONT SAW-BLADE COVER		BASIC270	POSTR BASIC270		POSTR BASIC270
		BASIC270	RIPARO.PULEGGIA	729401	RIPARO.PULEGGIA
		BASIC270	POSTR BASIC270		POSTR BASIC270
		BASIC270	RUBINETTO ART.6310	736282	RUBINETTO ART.6310
		BASIC270	1/8"MF (DISTR.REFRIG.280		1/8"MF (DISTR.REFRIG.280
		BASIC270	AFIE)	755801	AFIE)
		BASIC270	SNODO UNIBALL SMG10	780850	SNODO UNIBALL SMG10
		BASIC270	M10 MASCHIO		M10 MASCHIO
		BASIC270	SPINA X TENDINASTRO	792328	SPINA X TENDINASTRO
		BASIC320	SQUADRETTA	797050	SQUADRETTA
		BASIC320	VICE FIXING PLATE BS280AFIE		VICE FIXING PLATE BS280AFIE
		BASIC320	STAFFA		STAFFA
		BASIC320	BLOCCO CAG GUIDALAMA	798882	BLOCCO CAG GUIDALAMA
		BASIC320	BS230/60		BS230/60
		BASIC320	SUPPORTO ASTA 24V	851773	SUPPORTO ASTA 24V
		BASIC320	BS230/60		BS230/60
		BASIC320	TARGHET.GRAD.BASE	911075	TARGHET.GRAD.BASE
		BASIC320	BASIC320PLUS 60°+60°		BASIC320PLUS 60°+60°
		BASIC320	TIRANTE M12X110	929318	TIRANTE M12X110
		BASIC320	VASCHELLA		VASCHELLA
		BASIC320	ELETTROPOMPA DELTA20	940895	ELETTROPOMPA DELTA20
		BASIC320	447X314X200 20 LITRI		447X314X200 20 LITRI
		BASIC320	GRIGIO		GRIGIO
		BASIC320	VITE SPINGIBAR.MORSA	958808	VITE SPINGIBAR.MORSA
		BASIC320	BS230/270		BS230/270
		BASIC320	ENDLESS SCREW BS230/60		ENDLESS SCREW BS230/60