

Date	10/02
Drawn	MRC
Part No.	R10098C3
Machine	
Date	

# KALAMAZOO MACHINE TOOL

H 280 M



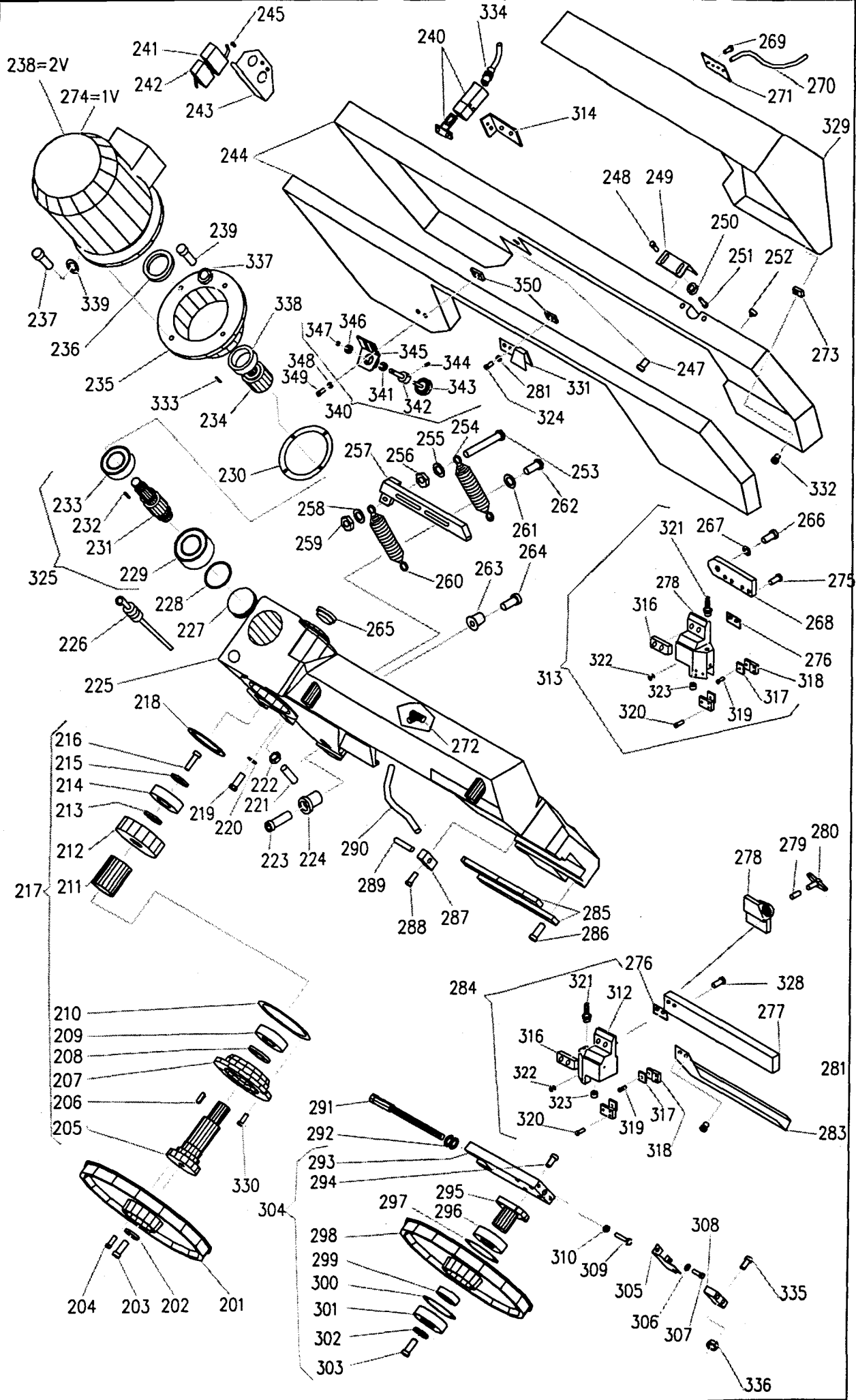
Nº	ITEM	DESCRIPTION	Nº	ITEM	DESCRIPTION	Q	Nº	ITEM	DESCRIPTION	Q	Nº	ITEM	DESCRIPTION	Q
1	759398	STEEL ROLLER 300 X 50 MM DIA	1	977650	SOCKET HEAD SCREW VTCE 8X16	2	101	975843	SOCKET HEAD SCREW VTCE 14X80	2	101	975843	SOCKET HEAD SCREW VTCE 14X80	2
2	744820	WASHER 8X24X2	4	513931	BALL HANDLE D.40 X 12	1	102	975843	SOCKET HEAD SCREW VTCE 14X80	1	102	975843	SOCKET HEAD SCREW VTCE 14X80	1
3	995145	HEXAGON SCREW VTE 8X20	4	307720	HEXAGONAL NUT M8	1	103	749535	FLAT WASHER D.14	1	103	749535	FLAT WASHER D.14	1
4	227379	IRON BASE BS 280 PLUS	1	946320	SOCKET SET SCREW VICE MBX35 B	1	104	288083	AXIAL BEARING 51102 15X28X9	1	104	288083	AXIAL BEARING 51102 15X28X9	1
5	510200	ELECTRIC PUMP FLAT SEAL D.130X102X2	1	547263	VICE SPRING	1	105	943562	SOCKET SET SCREW VCE 12X40 A	1	105	943562	SOCKET SET SCREW VCE 12X40 A	1
6	331416	COOLANT ELECTRIC PUMP P.90 AST30	1	144999	BRASS SLEEVE FOR VICE	1	106	142805	IRON SHEET BASE	1	106	142805	IRON SHEET BASE	1
7	744820	WASHER D.8	12			12	107	978095	SOCKET HEAD SCREW VTCE M8 X 20	1	107	978095	SOCKET HEAD SCREW VTCE M8 X 20	1
8	995920	SOCKET HEAD SCREW MBX25	12			12	108	303845	HEXAGONAL NUT M 12	4	108	303845	HEXAGONAL NUT M 12	4
9	696346	NYLON FITTING WES R1/2 WITH ELBOW	1			1	109				109			
10	935500	COOLANT TUBE D.8 X 14	4m			4m	110				110			
11	139626	ADHESIVE LABEL FOR BASE	1			1	111				111			
12	550999	CPL. TURNING PLATFORM W/PIN	1			1	112	331925	LOCKING RING TORRO WZ 12-20	2	112	331925	LOCKING RING TORRO WZ 12-20	2
13	068318	PIN & BEARING ASSEMBLY	1	136827	20 MM DIA ROD FOR LENGTH DEVICE	1	113				113			
14	065142	FILLISTER SCREW D4.8X9	1	726786	12 MM DIA. ROD FOR LENGTH DEVICE	1	114				114			
15	970200	COOLANT BALL VALVE 1/2"	4	725445	ALUMINIUM LOCKING DEVICE	1	115				115			
16	755995	IRON RING GUK M15X14 AUTOBL.	1	303845	HEXAGONAL NUT M12	1	116	735704	SUPPORT WASHER SS25X35X2	1	116	735704	SUPPORT WASHER SS25X35X2	1
17	499145	WASHER 24X17X4	1			1	117				117			
18	742783	VICE HANDLE	1	791640	CYLINDRICAL PIN 10X60 UN16.3644	1	118				118			
19	963615	RIGHT WEDGE FOR SLIDING VICE W/THREAD	1	536675	LOCKING HANDLE M12 X 45	1	119				119			
20	279160	LEFT WEDGE FOR SLIDING VICE W/HOLE	1	492590	RIGHT CAST IRON JAW	1	120				120			
21	279150	FLAT WASHER D.10	1	167257	20 MM. DIA BRASS BUSHING	1	121				121			
22	749470	SUPPORT WASHER SS22X32X2	1	492640	LEFT CAST IRON JAW	1	122				122			
23	735602	THREADED ROD M10X170	1			1	123				123			
24	929297	SUPPORT WASHER SS22X32X2	1	651426	TURNING PIN	1	124				124			
25	735602	ALUMINIUM VICE LOCKING HANDLE	1	119621	SEAL O-RING 171	1	125				125			
26	536523	VICE CAST IRON SUPPORT	1	283102	BEARING 32008XA 40X68X19	1	126				126			
27	851977	ROLLER SUPPORT	1	7878615	BALL 12 MM DIA FOR BASE	1	127				127			
28	698045	HEXAGONAL NUT M8	1	547316	SOCKET SET SCREW VCE14X20 A	1	128				128			
29	307720	WASHER D.8	2	946748	HEXAGONAL NUT M14	1	129				129			
30	744820	WASHER D.8	2	305000	BEARING 32005X 25X47X15	1	130				130			
31	957135	VICE SCREW	1	283011	SAFETY WASHER MB5	1	131				131			
32	944204	SOCKET SET SCREW VICE GRANO 8X10C	1	750100	LOCKING RING KM5	1	132				132			
33	978095	SOCKET HEAD SCREW VICE MBX20	2	497110	SPECIAL WASHER D.20	1	133				133			
34	657190	IRON FRONT PLATE	1	744045	SEL RING 22X47X7	1	134				134			
35	184921	SLIDING VICE TROLLEY	1	129736		1	135				135			
36	984258	HEXAGON SCREW VTE 10X25	2			2	136				136			
37	486394	TROLLEY VICE JAW	1			1	137				137			
38	280052	VICE ADJUSTMENT WEDGE	1			1	138				138			
39	788270	ELASTIC PIN 5 X10	1			1	139				139			
40	945432	SOCKET SET SCREW VCE GRANO 8X30 C	2			2	140				140			
41	307720	HEXAGONAL NUT M8	6			6	141				141			
42	946675	SOCKET SET SCREW VCE GRANO 12X60 A	2	777703	BALL 6 MM. DIA	205	142				142			
43	303845	HEXAGONAL NUT M12 UN15587	2	918500	ANGLE PLATE FOR PLATFORM	1	143				143			
44	169462	ELECTRIC BOARD SUPPORT	1	946748	SOCKET SET SCREW VCE 14X20A UN15923	1	144				144			
45	977650	SOCKET HEAD SCREW TCE 8X16 UN15931	6	165895	BUSH FOR JAWS POSITIONING	1	145				145			
46	749470	FLAT WASHER D.8	6	172378	CENTRAL BUSHING 40 MM. DIA	2	146				146			
47	529020	VICE LEVER	1	142719	BS 280 CAST IRON BASE	1	147				147			
48	330055	SLEEVE FOR FAST POSITIONING	1	973874	SOCKET HEAD SCREW ICE 12X35 UN15931	1	148				148			
49	546312	VICE SPRING	1			1	149				149			
50	157220	IRON PLATE FOR VICE	1			1	150				150			



# KALAMAZOO MACHINE TOOL

H 280 M

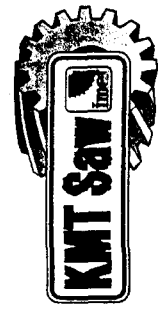
Reviz	10/02	Desig	MRC	Dis. No	R10098C3
Date					



Part No.	10/02
Drawn	
MRC	
Fig. No.	RI0098C3

# KALAMAZOO MACHINE TOOL

H 280 M



Q	NØ	ITEM	DESCRIPTION	Q	NØ	ITEM	DESCRIPTION	Q	NØ	ITEM	DESCRIPTION	Q	NØ	ITEM	DESCRIPTION	Q
1	251	970273	SOCKET HEAD SCREW VITE 8X12	1	301	291020	BEARING 6207EE 35X72X17	1	301	291020	BEARING 6207EE 35X72X17	1	301	291020	BEARING 6207EE 35X72X17	1
1	252	521585	PLASTIC FIXING PLATE	1	302	742333	WASHER 45X35X10.5	7	302	742333	WASHER 45X35X10.5	7	302	742333	WASHER 45X35X10.5	1
1	253	988375	HEXAGON SCREW VTE 12X80	2	303	964920	FLARED SOCKET SCREW VSP 10X30	1	303	964920	FLARED SOCKET SCREW VSP 10X30	1	303	964920	FLARED SOCKET SCREW VSP 10X30	1
1	254	547652	SAW FRAME RETURN SPRING	1	304	065866	FRONT PULLEY, SHAFT & SUPPORT ASSEMBLY	2	304	065866	FRONT PULLEY, SHAFT & SUPPORT ASSEMBLY	2	304	065866	FRONT PULLEY, SHAFT & SUPPORT ASSEMBLY	1
1	255	744987	WASHER D.12X30X4	2	305	699579	BLADE STROKE-END SUPPORT	2	305	699579	BLADE STROKE-END SUPPORT	2	305	699579	BLADE STROKE-END SUPPORT	1
1	256	303845	HEXAGONAL NUT M12	2	306	748695	WASHER D.8	2	306	748695	WASHER D.8	2	306	748695	WASHER D.8	2
1	257	688448	SPRING CONNECTION PLATE	1	307	994370	HEXAGON SCREW VTE 6X10 UN15739	1	307	994370	HEXAGON SCREW VTE 6X10 UN15739	1	307	994370	HEXAGON SCREW VTE 6X10 UN15739	2
1	258	744987	WASHER D.12X30X4	2	308	520864	BLADE TENSIONER MICROSWITCH	2	308	520864	BLADE TENSIONER MICROSWITCH	2	308	520864	BLADE TENSIONER MICROSWITCH	2
1	259	294306	SELF-LOCKING NUT M12	2	309	994800	HEXAGON SCREW VTE 6X30 UN15739	2	309	994800	HEXAGON SCREW VTE 6X30 UN15739	2	309	994800	HEXAGON SCREW VTE 6X30 UN15739	1
1	260	547652	SAW FRAME RETURN SPRING	1	310	308500	HEXAGONAL NUT M6	1	310	308500	HEXAGONAL NUT M6	1	310	308500	HEXAGONAL NUT M6	1
1	261	744987	WASHER D.12X30X4	2	311	984258	HEXAGON SCREW VTE 6X30 UN15739	2	311	984258	HEXAGON SCREW VTE 6X30 UN15739	2	311	984258	HEXAGON SCREW VTE 6X30 UN15739	4
1	262	974100	SOCKET HEAD SCREW TCE 12X30 UN15931	1	312	631167	BLADE GUIDE FRONT SUPPORT	1	312	631167	BLADE GUIDE FRONT SUPPORT	1	312	631167	BLADE GUIDE FRONT SUPPORT	1
1	263	179945	12 MM DIA STEEL BUSHING	1	313	631165	BLADE GUIDE REAR SUPPORT ASSEMBLY	1	313	631165	BLADE GUIDE REAR SUPPORT ASSEMBLY	1	313	631165	BLADE GUIDE REAR SUPPORT ASSEMBLY	1
1	264	974100	SOCKET HEAD SCREW VITE 12X40	1	314	522913	SAFETY MICROSWITCH SUPPORT PLATE	1	314	522913	SAFETY MICROSWITCH SUPPORT PLATE	1	314	522913	SAFETY MICROSWITCH SUPPORT PLATE	1
1	265	786162	OIL LIGHT 45 MM DIA	1	315	...	...	1	315	...	...	1	315	...	...	1
1	266	969630	SOCKET FLAT SCREW VSP 12X30 UN15933	1	316	661920	LOCKING PLATE M8	1	316	661920	LOCKING PLATE M8	1	316	661920	LOCKING PLATE M8	2
1	267	737845	FLARED WASHER D.35 X5	1	317	515800	SQUARE CARBIDE INSERT	1	317	515800	SQUARE CARBIDE INSERT	1	317	515800	SQUARE CARBIDE INSERT	4
1	268	688820	BLADE GUIDE REAR SUPPORT	1	318	697300	CARBIDE INSERT SUPPORT	1	318	697300	CARBIDE INSERT SUPPORT	1	318	697300	CARBIDE INSERT SUPPORT	4
1	269	970273	SOCKET HEAD SCREW VITE 8X12	2	319	965900	FLARED SOCKET SCREW VSP MAX8	2	319	965900	FLARED SOCKET SCREW VSP MAX8	2	319	965900	FLARED SOCKET SCREW VSP MAX8	4
1	270	936359	PLASTIC HOSE 6X9 MM	2	320	975913	SOCKET HEAD SCREW TCE M4X12	2	320	975913	SOCKET HEAD SCREW TCE M4X12	2	320	975913	SOCKET HEAD SCREW TCE M4X12	8
1	271	521951	IRON SHEET FOR COOLANT DISTRIB.	1	321	696080	NYLON HOSE ADAPTORS GES6 R1/8	1	321	696080	NYLON HOSE ADAPTORS GES6 R1/8	1	321	696080	NYLON HOSE ADAPTORS GES6 R1/8	1
1	272	327281	COOLANT DISTRIBUTOR	1	322	943662	SOCKET SET SCREW VCE MSX5	1	322	943662	SOCKET SET SCREW VCE MSX5	1	322	943662	SOCKET SET SCREW VCE MSX5	4
1	273	667765	LOCKING PLATE	3	323	515780	SPECIAL ROUND CARBIDE INSERT	3	323	515780	SPECIAL ROUND CARBIDE INSERT	3	323	515780	SPECIAL ROUND CARBIDE INSERT	2
1	274	589750	1 SPEED 4 POLES 3 PH. MOTOR V.400/230 B5	1	324	978095	SOCKET HEAD SCREW TCE M8 X 20	1	324	978095	SOCKET HEAD SCREW TCE M8 X 20	1	324	978095	SOCKET HEAD SCREW TCE M8 X 20	2
1	275	979645	SOCKET HEAD SCREW VITE 8X30	2	325	095892	ENDLESS SCREW m3 & BEARING ASSEMBLY	2	325	095892	ENDLESS SCREW m3 & BEARING ASSEMBLY	2	325	095892	ENDLESS SCREW m3 & BEARING ASSEMBLY	1
1	276	322058	SOCKET HEAD SCREW VITE 8X30	1	326	...	...	1	326	...	...	1	326	...	...	4
1	277	688800	BLADE GUIDE SLIDING BAR	1	327	...	...	1	327	...	...	1	327	...	...	2
1	278	798940	CAST IRON BLADE GUIDE SUPPORT	1	328	978870	SOCKET HEAD SCREW TCE 8X25 CL.8.8 UN15931	1	328	978870	SOCKET HEAD SCREW TCE 8X25 CL.8.8 UN15931	1	328	978870	SOCKET HEAD SCREW TCE 8X25 CL.8.8 UN15931	2
1	279	172190	INSIDE BRASS PIN M8	1	329	201480	SAWFRAME COVER	1	329	201480	SAWFRAME COVER	1	329	201480	SAWFRAME COVER	1
1	280	962930	LITTLE HANDLE M8	1	330	968020	FLARED SOCKET SCREW VSP 8X20 UN15933	1	330	968020	FLARED SOCKET SCREW VSP 8X20 UN15933	1	330	968020	FLARED SOCKET SCREW VSP 8X20 UN15933	4
1	281	744045	SPECIAL WASHER D20X5	2	331	728559	BLADE REAR COVER BS 280 PLUS	2	331	728559	BLADE REAR COVER BS 280 PLUS	2	331	728559	BLADE REAR COVER BS 280 PLUS	1
1	282	976090	SOCKET HEAD SCREW TCE 5X10 UN15931	2	332	970200	FILLISTER SCREW D.4.8 X19	2	332	970200	FILLISTER SCREW D.4.8 X19	2	332	970200	FILLISTER SCREW D.4.8 X19	3
1	283	728542	FRONTAL BLADE COVER	1	333	215123	KEY 8X7X15 UN16604	1	333	215123	KEY 8X7X15 UN16604	1	333	215123	KEY 8X7X15 UN16604	1
1	284	631163	FRONT BLADE GUIDE ASSEMBLY	2	334	630811	CABLE GLAND PG11 MIRKO	2	334	630811	CABLE GLAND PG11 MIRKO	2	334	630811	CABLE GLAND PG11 MIRKO	1
1	285	558347	BLADE TENSIONER PLATE GUIDE	1	335	975923	SOCKET HEAD SCREW VITE 4X25 UN15931	1	335	975923	SOCKET HEAD SCREW VITE 4X25 UN15931	1	335	975923	SOCKET HEAD SCREW VITE 4X25 UN15931	1
1	286	995145	HEXAGON SCREW VITE 8X20	6	336	294002	SELF-LOCKING HEXAGONAL NUT M4 DIN980	6	336	294002	SELF-LOCKING HEXAGONAL NUT M4 DIN980	6	336	294002	SELF-LOCKING HEXAGONAL NUT M4 DIN980	4
4	287	157206	BLADE TENSIONER THREADED PIECE	1	337	750011	SCHNORR WASHER D.8	1	337	750011	SCHNORR WASHER D.8	1	337	750011	SCHNORR WASHER D.8	4
4	288	979645	SOCKET HEAD SCREW VITE TCE 8X30	2	338	325859	MOTOR SHAFT SPACER	2	338	325859	MOTOR SHAFT SPACER	2	338	325859	MOTOR SHAFT SPACER	1
1	289	943627	SOCKET SET SCREW VCE 12X45 C	1	339	746370	FLAT WASHER D.10	1	339	746370	FLAT WASHER D.10	1	339	746370	FLAT WASHER D.10	4
1	290	936359	PLASTIC HOSE 6X9 MM	1	340	078568	BLADE BRUSH & SUPPORT ASSEMBLY	1	340	078568	BLADE BRUSH & SUPPORT ASSEMBLY	1	340	078568	BLADE BRUSH & SUPPORT ASSEMBLY	4
1	291	792334	BLADE TENSIONING PIN	1	341	286020	BEARING 608ZZ 8X7X22	1	341	286020	BEARING 608ZZ 8X7X22	1	341	286020	BEARING 608ZZ 8X7X22	1
1	292	546957	CUP SPRING 31.5X16.3X2	18	342	652539	BLADE BRUSH PIN 6 MM DIA	18	342	652539	BLADE BRUSH PIN 6 MM DIA	18	342	652539	BLADE BRUSH PIN 6 MM DIA	1
1	293	658663	FRONT PULLEY PLATE SUPPORT	1	343	785682	BLADE BRUSH 50 MM DIA	1	343	785682	BLADE BRUSH 50 MM DIA	1	343	785682	BLADE BRUSH 50 MM DIA	1
1	294	978870	SOCKET HEAD SCREW VITE 8X25	4	344	943681	SOCKET SET SCREW VCE 6X10A UN15923	4	344	943681	SOCKET SET SCREW VCE 6X10A UN15923	4	344	943681	SOCKET SET SCREW VCE 6X10A UN15923	1
1+1	295	113502	SHAFT FOR FRONT PULLEY	1	345	694280	BRUSH SUPPORT	1	345	694280	BRUSH SUPPORT	1	345	694280	BRUSH SUPPORT	1
2	296	291020	BEARING 35X72X17	1	346	286020	BEARING 608ZZ 8X7X22	1	346	286020	BEARING 608ZZ 8X7X22	1	346	286020	BEARING 608ZZ 8X7X22	1
5	297	128116	SEEGER INTERNAL J72	1	347	127655	SEEGER RING RS6 DIN6799	1	347	127655	SEEGER RING RS6 DIN6799	1	347	127655	SEEGER RING RS6 DIN6799	1
2	298	972709	FRONT PULLEY D.320	1	348	744045	SPECIAL WASHER D.20	1	348	744045	SPECIAL WASHER D.20	1	348	744045	SPECIAL WASHER D.20	2
1	299	327118	PULLEY SPACER	1	349	977650	SOCKET SET SCREW TCE 8X16 UN15931	1	349	977650	SOCKET SET SCREW TCE 8X16 UN15931	1	349	977650	SOCKET SET SCREW TCE 8X16 UN15931	2
1	300	128116	SEEGER INTERNAL RING J72	1	350	661920	BRUSH LOCKING PLATE	1	350	661920	BRUSH LOCKING PLATE	1	350	661920	BRUSH LOCKING PLATE	1

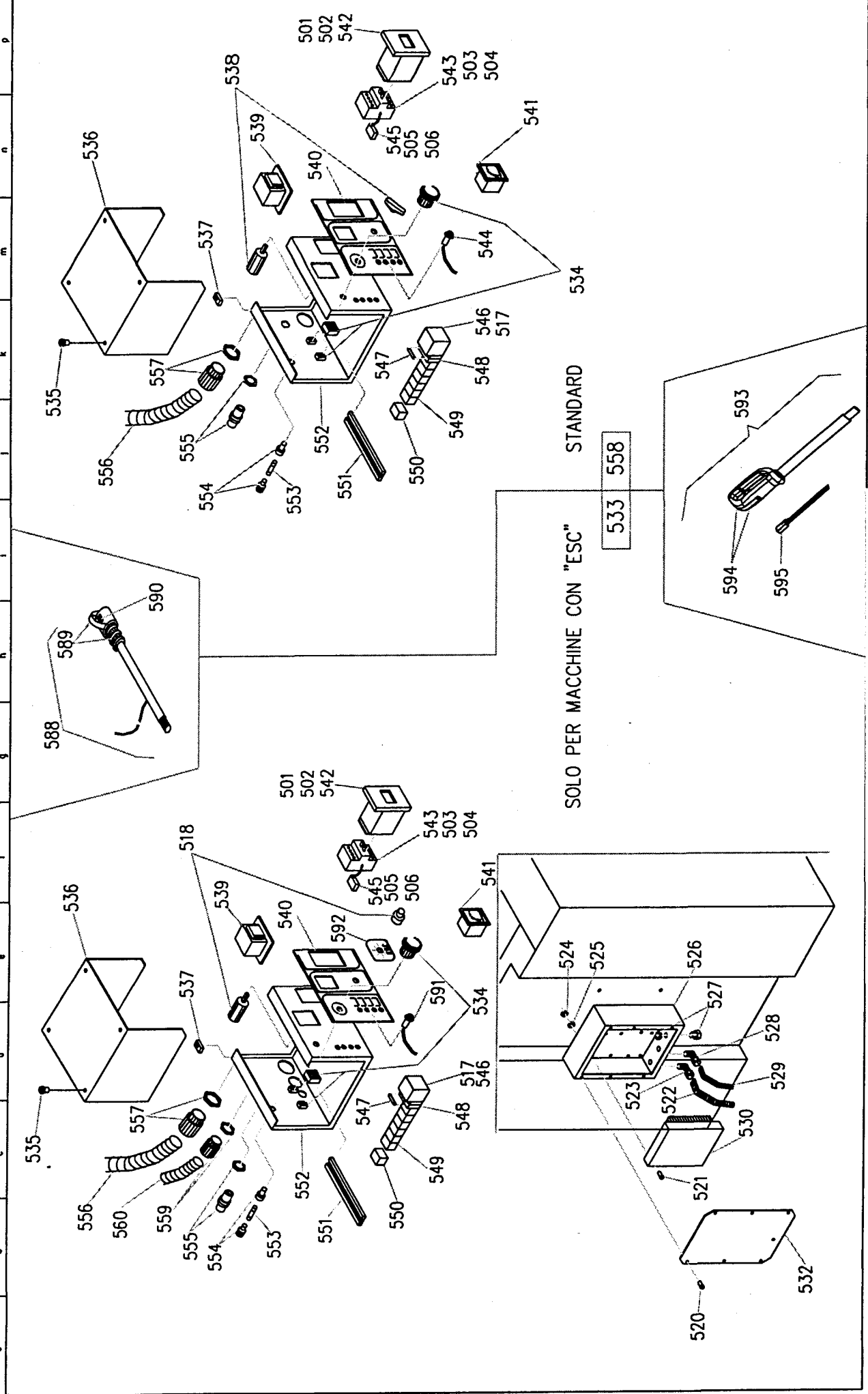
Date: 10/02  
 Order: MRC  
 Dis. No: R10098C3  
 Date:



# KALAMAZOO MACHINE TOOL

H 280 M

o b c d e f g h i j k l m n p



# KALAMAZOO MACHINE TOOL

H 280 M

Disegnato	Disegnato	Disegnato	Disegnato
10/02	MRC	RIO098C3	

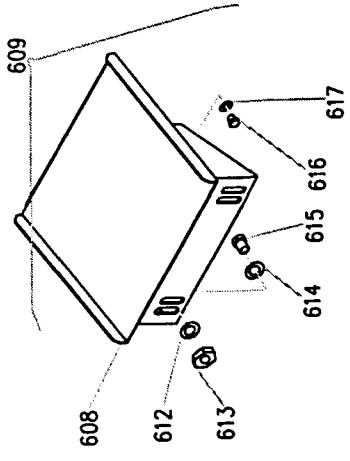
Nº	ITEM	DESCRIPTION	Nº	ITEM	DESCRIPTION	Q	Nº	ITEM	DESCRIPTION	Q	Nº	ITEM	DESCRIPTION	Q
501	765666	OVERLOAD PROT. BOX SIEMENS 3ZV19	1	551	700650	OMEGA SUPPORT 3F 35X7.5	1	601						
502	764666	OVERLOAD PROT. BOX LOVATO 11LMZ	1	552	713024	CONTROL PANEL BOX	1	602						
503	765555	OVERLOAD MOTOR PROT. SIEMENS 4- 6.3 A	1	553	390001	FUSE 5X20 AMPS	1	603						
504	764555	OVERLOAD MOTOR PROT. LOVATO 4 - 6.3 A	1	554	694765	PANEL FUSE HOLDER 5X25	1	604						
505	164605	MINIMUM TENSION COIL LOVATO V400	1	555	630700	CABLE GLAND PG11 RTA84213+DAD086564	1	605						
506	164803	MINIMUM TENSION COIL SIEMENS V400	1	556	507382	ELECTR. HOSE PMA PAS G29B 1"/PG29	m	606						
507				557	718862	ELECTR. FITTING, RIGHT PMA PG29 +DADO	1	607						
508				558	713041	CONTROL PANEL BOX BS280 PLUS COMPL.	1	608						
509				559	718859	STRAIGHT FITTING 3/4	1	609						
510				560	507386	ELECTR. HOSE PMA PAS G23B 3/4"	m	610						
511				561				611						
512				562				612						
513				563				613						
514				564				614						
515				565				615						
516				566				616						
517	260750	CONTACTOR MC910 2450AC NO LOVATO	1	567				617						
518	699748	ESC SPEED REGULATOR 10KA CEMA 080 PTZ	1	568				618						
519	261400	CONTACTOR MC910 2450AC NO	1	569				619						
520	970248	SOCKET HEAD SCREW TCE M6X12	6	570				620						
521	994800	HEXAGON SCREW VTE 6X30 UNIS739	4	571				621						
522	507386	ELECTR. HOSE PMA PAS23B 3/4" / PG21	m	572				622						
523	718859	STRAIGHT FITTING 3/4	1	573				623						
524	306500	EXAGONAL NUT M6 UNIS588	4	574				624						
525	748695	FLAT WASHER D6	8	575				625						
526	771982	INVERTER CASE	1	576				626						
527	864480	PLASTIC PLUG 3/4"	1	577				627						
528	718857	STRAIGHT FITTING 1/2	1	578				628						
529	507392	ELECTR. HOSE PMA PAST-17B 1/2 / PG16	m	579				629						
530	521200	INVERTER ALTIVAR 28A1V HU29N4	1	580				630						
531				581				631						
532	265808	COVER FOR INVERTER CASE	1	582				632						
533	713036	CONTROL PANEL BOX BS280PLUS/ESC COMPL.	1	583				633						
534	709285	EMERGENCY PUSHBUTTON	1	584				634						
535	970200	FILLISTER SCREW 4.8X16 U6954	4	585				635						
536	265814	COVER FOR CONTROL PANEL	1	586				636						
537	667765	FIXING PLATE RPE0166-4.8	4	587				637						
538	257909	SPEED SELECTOR 12A 1-0-2	1	588	132280	24V CONTROL LEVER ASSEMBLY	1	638						
539	932350	TRANSFORMER VAR.18W V240/415/24V 50-60Hz	1	589	513573	24V CONTROL LEVER PLASTIC HANDLE	1	639						
540	905265	LABEL FOR CONTROL PANEL	1	590	520821	24V CONTROL LEVER MICROSWITCH 24V AP65	1	640						
541	118282	ANALOG AMMETER 72x72 0-5A	1	591	786691	WARNING LIGHT SIGNALUX 3190 V24, COLOR...	4	641						
542	766196	OVERLOAD PROT. BOX GV2-MP04+V01 PADLOCK	1	592	139979	ADHESIVE LABEL FOR CONTROL PANEL BOX	1	642						
543	766162	OVERLOAD MOTOR PROT. GV2-M10 4-6.3 AMPS	1	593	132285	24V CONTROL LEVER ASSEMBLY	1	643						
544	786691	WARNING LIGHT SIGNALUX 3190 V24, COLOR...	3	594	513088	LEVER PLASTIC HANDLE, LIGHT BLU	1	644						
545	164902	MINIMUM TENSION COIL GV2-AU385 TELEMEC.	1	595	520921	LEVER MICROSWITCH ABV 161060	1	645						
546	260750	CONTACTOR MC910 2450AC NO	1	596				646						
547	390010	SPECIAL FUSE 5X25 AMPS...	2	597				647						
548	694765	PANEL FUSE HOLDER 5X25	2	598				648						
549	559092	TERMINAL CONNECTION VIKING 4mmq 500V	6	599				649						
550	558810	TERMINAL CONNECTION ES35	1	600				650						

Date: 10/02  
 Diseg: \_\_\_\_\_  
 MRC: \_\_\_\_\_  
 Dis. N.º: R10098C3  
 Date: \_\_\_\_\_

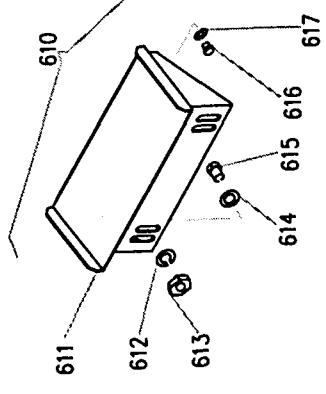


# KALAMAZOO MACHINE TOOL

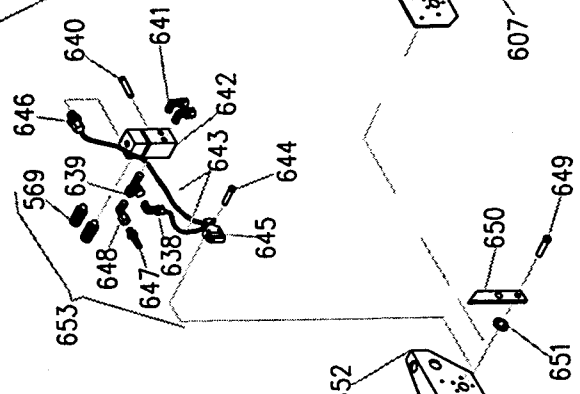
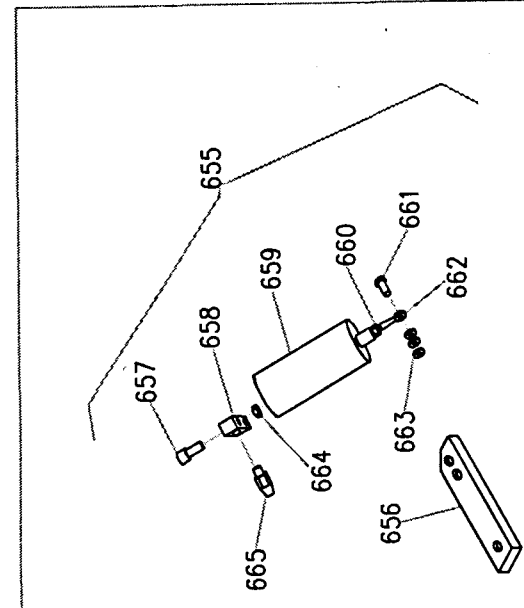
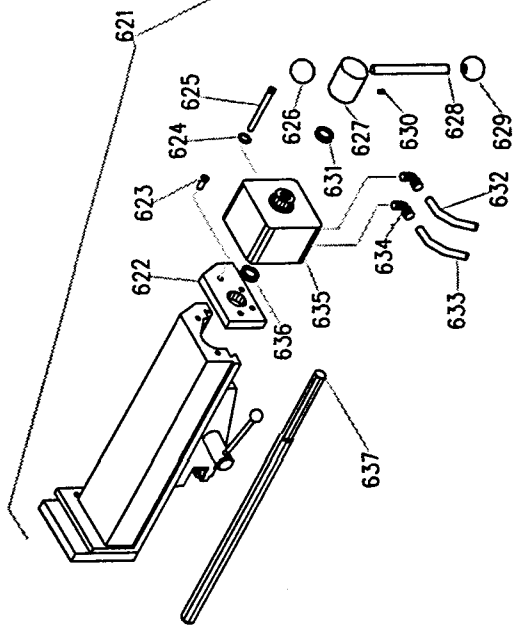
H 280 M



BAB2PS (RTD)



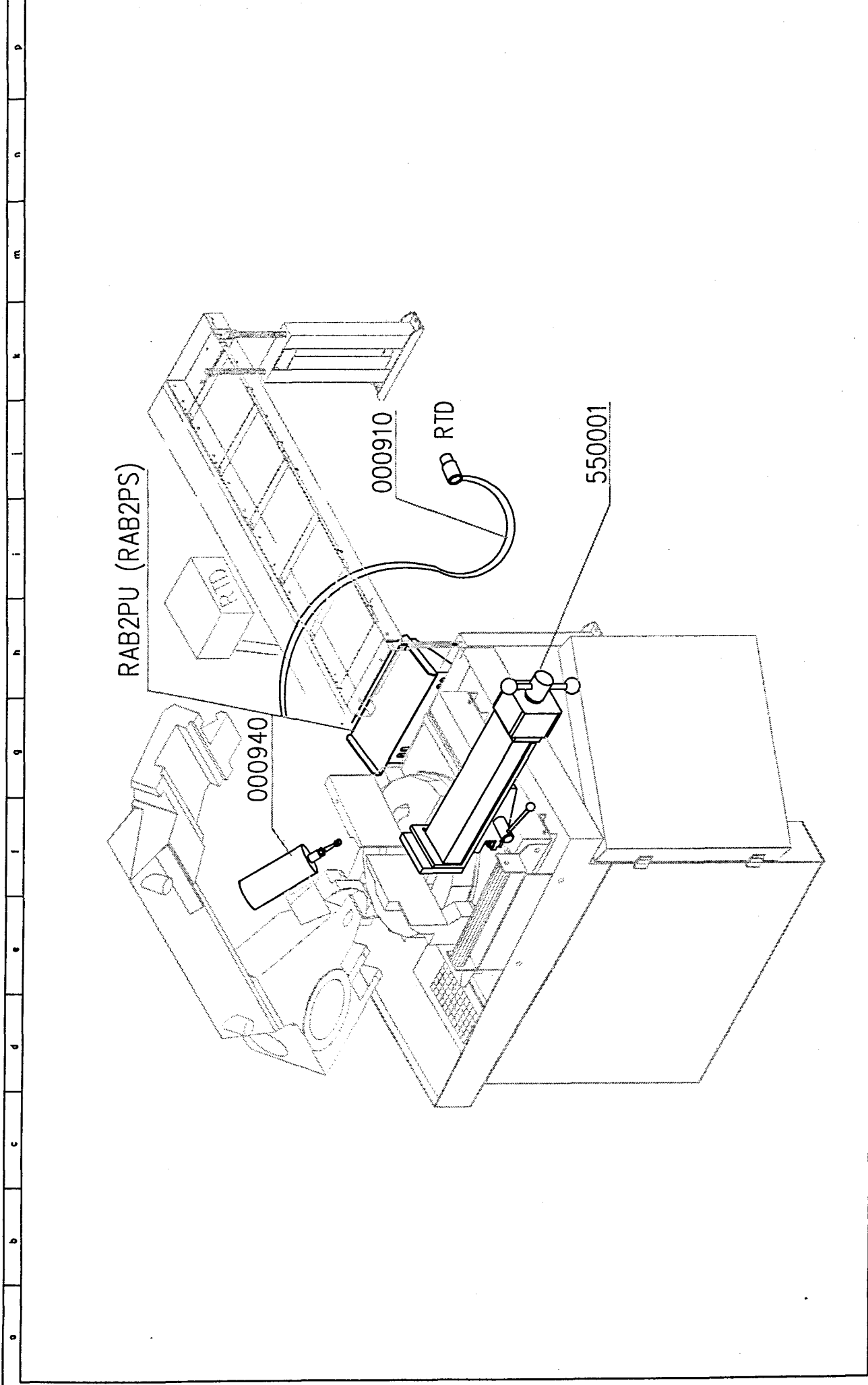
RAB2PU (RTS + RTM)



# KALAMAZOO MACHINE TOOL

H 280 M

Date	10/02	Disc#	MRC	Site No	RI0098C3
Data					



# KALAMAZOO MACHINE TOOL

H 280 M

Date	10/02	Deseg.	MRC	Grif. Nr. 1	RI0098C3
Date					
Date					

Nº	ITEM	DESCRIPTION	Q	Nº	ITEM	DESCRIPTION	Q	Nº	ITEM	DESCRIPTION	Q
601				651	747145	FLAT WASCHER D12	1	701			
602				652	699740	POTENTIOMETER SUPPORT	1	702			
603				653	506841	PNEUMATIC VICE ASSEMBLY BS280	1	703			
604				654	182859	CAM FOR PNEUMATIC STROKE-END BS280	1	704			
605				655	000940	HYDRAULIC BRAKE ASSEMBLY BS280	1	705			
606				656	688737	IRON PLATE FOR BRAKE	1	706			
607	970248	SOCKET HEAD SCREW VICE M6X12	1	657	976548	SOCKET HEAD SCREW M6X30 UNI 5931	2	707			
608	928825	UNLOADING PLATE BS280 PLUS	1	658	677558	IRON PLATE	1	708			
609	RAB7PS	UNLOADING ROLLER CONNECTION ASSEMBLY	1	659	362900	HYDRAULIC BRAKE	1	709			
610	RAB7PU	UNLOADING ROLLER CONNECTION ASSEMBLY	1	660	303070	EXAGONAL NUT M10 UNI5588	1	710			
611	928823	UNLOADING PLATE	1	661	984002	SOCKET HEAD SCREW TCE 10X35 UNI5931	1	711			
612	747145	FLAT WASHER D.12	2	662	780850	MALE JOINT UNIBALL SMG10	3	712			
613	303845	HEXAGONAL NUT M12	2	663	746370	FLAT WASCHER D10	2	713			
614	747145	FLAT WASHER D.12	2	664	306500	EXAGONAL NUT ES.M6 UNI5588	2	714			
615	986865	HEXAGON SCREW VTE M12X25	2	665	970203	SOCKET HEAD SCREW TCE M12X16 CH6 MK 600	1	715			
616	995090	HEXAGON SCREW VTE M8X16	2	666			2	716			
617	749470	WASHER D.8	2	667			2	717			
618	522108	PLATE FOR STROKE-END	1	668			1	718			
619	976547	SOCKET HEAD SCREW VICE M6X25	1	669			1	719			
620	169470	GUIDE RING	1	670			1	720			
621	550001	PNEUMATIC CPL VICE	1	671			1	721			
622	657186	IRON FRONT PLATE FOR PNEUMATIC VICE	1	672			1	722			
623	978095	SOCKET HEAD SCREW VICE 8X20	2	673			2	723			
624	744500	VICE WASHER D.9 X 15	6	674			6	724			
625	983556	SOCKET HEAD SCREW TCE 8X100 UNI5931	2	675			2	725			
626	513931	BALL HANDLE D.12 X 40	1	676			1	726			
627	495251	IRON RING FOR VICE HANDLE	1	677			1	727			
628	537249	VICE HANDLE ROD	1	678			1	728			
629	513931	BALL HANDLE D.40 X 12	1	679			1	729			
630	941302	SOCKET SET SCREW M10X14 B	1	680			1	730			
631	741509	VICE WASHER S520X28X2	1	681			1	731			
632	934695	NYLON PIN 4X6	1	682			1	732			
633	934695	NYLON PIN 4X6	1	683			1	733			
634	719245	RADD AIR FITTING RG6\8 6-1/8S6520	2	684			2	734			
635	227750	PNEUMATIC VICE CYLINDER BS280 D.100X10	1	685			1	735			
636	735602	SUPPORT WASHER 22X32X2	3	686			3	736			
637	957138	VICE SCREW	1	687			1	737			
638	719123	RADD AIR FITTING RG4/8=4	1	688			1	738			
639	723120	AIR FITTING T-FORM	1	689			1	739			
640	978084	SOCKET HEAD SCREW TCE M4X45 UNI5931	2	690			2	740			
641	719245	RADD AIR FITTING RG6/8=6	2	691			2	741			
642	775045	PNEUMATIC VALVE	1	692			1	742			
643	934306	AIR NYLON HOSE 2X4 PA11	0.6m	693			0.6m	743			
644	975923	SOCKET HEAD SCREW M4X25 UNI5931	2	694			2	744			
645	256670	PNEUMATIC STROKE END	1	695			1	745			
646	716856	RADD AIR FITTING RD 4/8	1	696			1	746			
647	695995	HOSE ADAPTER PG6-8	1	697			1	747			
648	716465	AIR FITTING ELBOW G-BMF=5020A 1/8	1	698			1	748			
649	984320	SOCKET HEAD SCREW TCE 10X40 UNI5739	1	699			1	749			
650	628570	BAR FOR PNEUMATIC CONTROL	1	700			1	750			

Date 10/02 \_\_\_\_\_ Diseg. \_\_\_\_\_ MRC \_\_\_\_\_ Dis. Ng R10098C3 \_\_\_\_\_

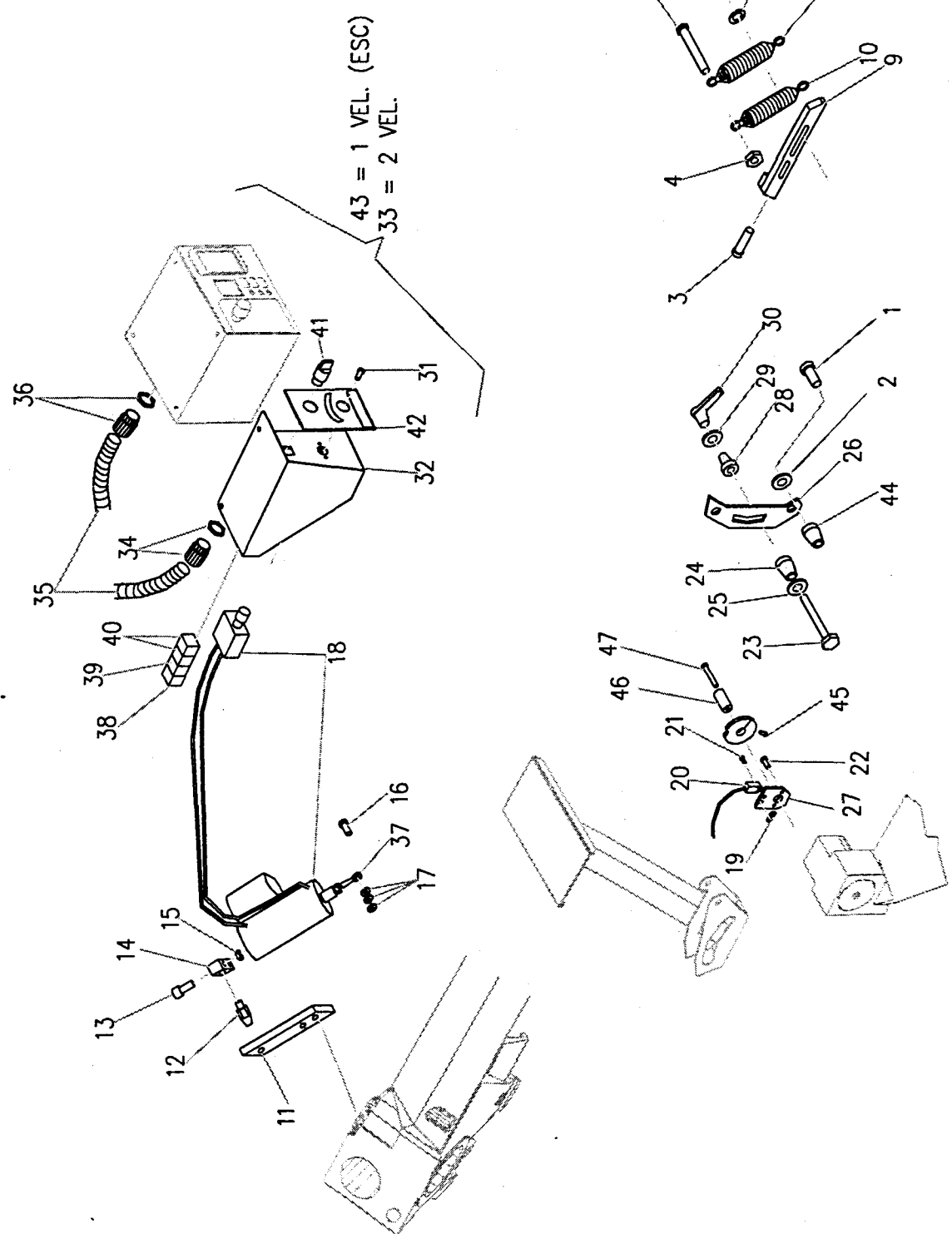
Date \_\_\_\_\_ Modifica \_\_\_\_\_



# KALAMAZOO MACHINE TOOL

H 280 M

o b c d e f g h i j k l m n p



Date	06/01	Diseno	MRC	Rev. No.	RI0197B2
Date					
Date					



# KALAMAZOO MACHINE TOOL

H 280 M

Nº	ITEM	DESCRIPTION	Q	Nº	ITEM	DESCRIPTION	Q	Nº	ITEM	DESCRIPTION	Q
1	974100	SOCKET HEAD SCREW M12X40	1	51				101			
2	744987	FLAT WASCHER	1	52				102			
3	961100	SPRING ADJUSTING SCREW	1	53				103			
4	306170	EXAGONAL NUT M16 UNI 5589	1	54				104			
5	975908	HEXAGON SCREW VTE 12X90	1	55				105			
6	969630	SOCKET HEAD SCREW TCE 12X30 UNI5933	1	56				106			
7	737845	WASCHER 35X12X6	1	57				107			
8	547652	SAW FRAME RETURN SPRING	1	58				108			
9	688226	SPRING CONNECTION PLATE	1	59				109			
10	547652	SAW FRAME RETURN SCREW	1	60				110			
11	688737	BRAKE SUPPORT	1	61				111			
12	970203	SOCKET HEAD SCREW TCE D12X16 CH6 MK 600	1	62				112			
13	976948	SOCKET HEAD SCREW M6X30	1	63				113			
14	677558	IRON PLATE	1	64				114			
15	306500	EXAGONAL NUT M6 UNI5588	1	65				115			
16	970203	SOCKET HEAD SCREW TCE M10X16 CH6 HK	3	66				116			
17	746370	FLAT WASCHER	1	67				117			
18	363233	CPL. HIDRAULIC BRAKE	1	68				118			
19	661900	STEEL PLATE	1	69				119			
20	521145	MICRO SWITCH	1	70				120			
21	975923	SOCKET HEAD SCREW M4X25	2	71				121			
22	970248	SOCKET HEAD SCREW M6X12	1	72				122			
23	988375	SOCKET HEAD SCREW M12X80	1	73				123			
24	179965	BUSCHING FOR SPRING	1	74				124			
25	744987	WASCHER 12X30X4	1	75				125			
26	522108	SPRING PLATE SUPPORT	1	76				126			
27	673863	MICRO SWITCH PLATE SUPPORT	1	77				127			
28	179965	EAR-RING	1	78				128			
29	744987	WASCHER 12X30X4	1	79				129			
30	536585	INDEXED HANDLE	1	80				130			
31	970248	SOCKET HEAD SCREW M6X12	2	81				131			
32	772376	ELECTRIC BOX	1	82				132			
33	242111	CONTROL PANEL BOX BS 280 GH 2 VEL.	1	83				133			
34	718857	ELECTRIC FITTING,RIGHT 1/2 TEAFLEX BFNO	1	84				134			
35	507392	ELECTRIC HOSE TEAFLEX PASTI78 1/2	m	85				135			
36	718857	ELECTRIC FITTING,RIGHT 1/2 TEAFLEX BFNO	1	86				136			
37	780850	MALE JOINT UNIBAL SMG10 MTO	1	87				137			
38	260231	ELECTRIC CONTACT NC, RED	1	88				138			
39	260235	ELECTRIC CONTACT NC, GREY	1	89				139			
40	260399	ELECTRIC CONTACT NC, YELLOW	2	90				140			
41	518518	3 POSITION SELECTOR	1	91				141			
42	139727	ADHESIVE LABEL BS280 GH	1	92				142			
43	242333	CONTROL PANEL BOX BS 280 GH 1 VEL. (ESC)	1	93				143			
44	179965	EAR-RING	1	94				144			
45	976547	SOCKET HEAD SCREW TCE M6X25	1	95				145			
46	169470	MICRO SWITCH BUSHING	1	96				146			
47	986620	SOCKET HEAD SCREW M10X60	1	97				147			
48				98				148			
49				99				149			
50				100				150			

Date	06/01	Proj	MRC
Proj. No.	R1019782		
Date			



# KALAMAZOO MACHINE TOOL

H 280 M

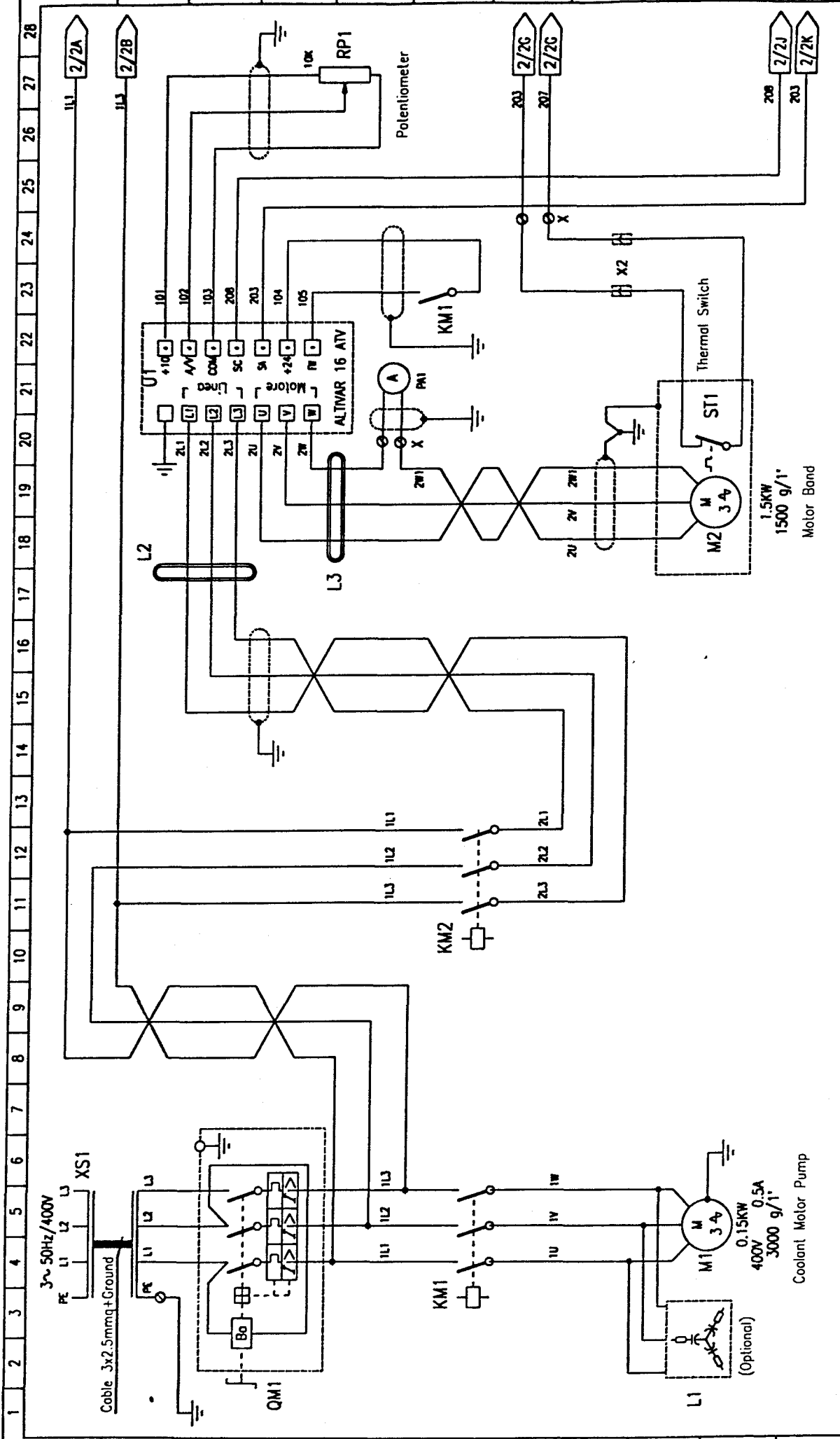
1	2	3	4	5	6	7	8	9	10	11	12	13	14	15	16	17	18	19	20	21	22	23	24	25	26	27	28
REF.	DEVICE	SPECIFICATIONS										FUNCTION	FACTORY	TYPE	ITEM N°	Q.TY											
XS1	Plug	3 P+Terra IEC 309 16A										Connection main supply	ILME	PE 1665 SV	787000	1											
X2	Insulation terminal	Sez. 1.5mmq										Connection thermal switch	K.E.	35038 + 35004	182942 + 182945	2											
X1	Terminal block	Double terminal block 2.5 mmq										Connection external equipments	CONTACLIP	RKD 2.5 PA	559092	6											
X	Terminal block	terminal block 2.5 mmq										Connection external equipments	SCHIAVI	ART16904	558853	1											
gn1	Flexible tube	PVC 1"										Connection external equipments	TEAFLEX	PAS-G298	507382	1											
gn2	Flexible tube	PVC 3/4"										Connection external equipments	TEAFLEX	PAS-G238	507386	1											
gn3	Flexible tube	PVC 1/2"										Connection external equipments	TEAFLEX	PAS-G17B	507392	1											
cv1	Flexible cable	N07W-K 4G2.5mmq.										Connection main supply			205065	1											
cv2	Flexible cable	3 X 0.75 + shield										Connection frequency drive unit (controls)				1											
cv3	Flexible cable	1 X 1.5 mmq + shield										Connection frequency drive unit ( power )				5											
cv4	Flexible cable	N07W-K 4G1.5mmq.										Connection coolant motor pump				1											
cv5/cv6	Flexible cable	N07V-K 2x1 mmq.										Connection limit switch carter and bond				1+1											
cv7	Flexible cable	N07V-K 2x1 mmq. Block										Connection pushbutton start/stop (handle)				1											
cv8	Flexible cable	1 X 1.5 mmq + shield										Connection frequency drive unit ( ammeter)				2											
cv8	Flexible cable	1 X 1.5 mmq + shield										Connection band MOTOR				5											
cv2	Flexible cable	2 X 0.75 + shield										Connection frequency drive unit (controls)				1											
cv2	Flexible cable	2 X 0.75										Connection frequency drive unit (controls)				1											



# KALAMAZOO MACHINE TOOL

DISEGNO N° : QE0058A3  
 FILE : QE0058A3/e  
 Data : 03.1996  
 Foglio N° : 5

H 280 M

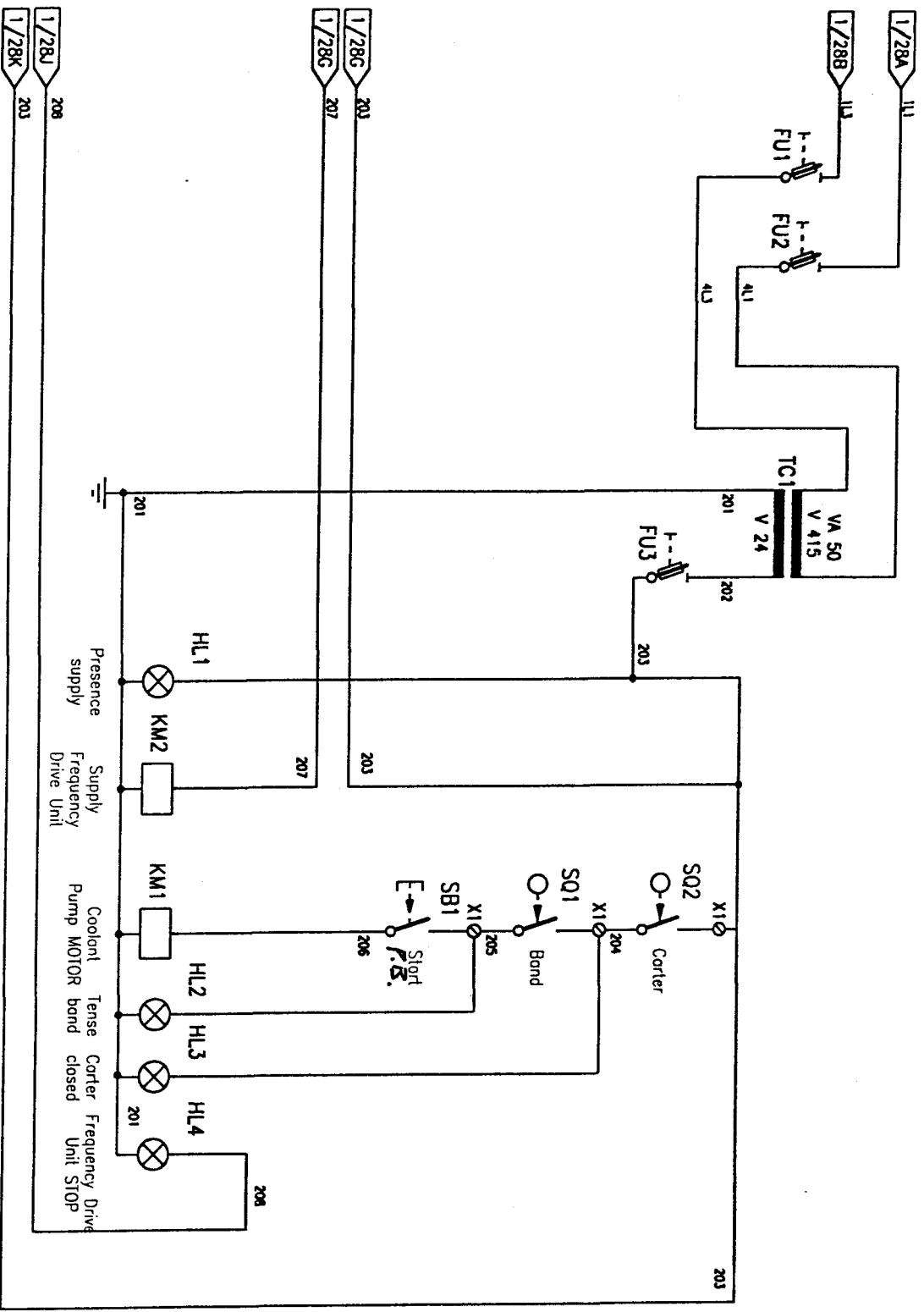


# KALAMAZOO MACHINE TOOL

H 280 M

DISCENO N° :	QE0058A3
FILE :	QE0058A3/e
Data :	03.1996
Foglio N° :	1

24	25	26	27	28
----	----	----	----	----



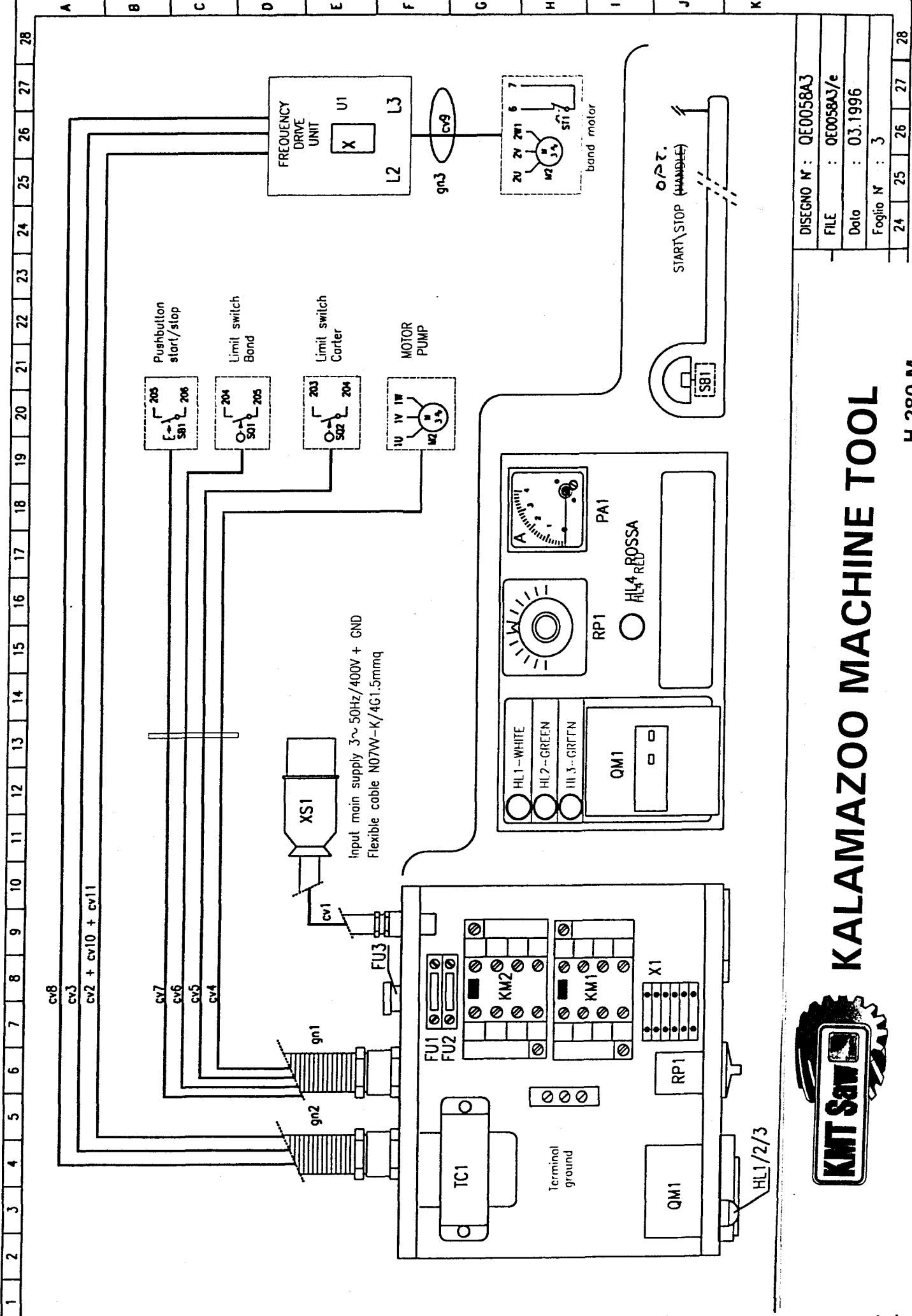
1 2 3 4 5 6 7 8 9 10 11 12 13 14 15 16 17 18 19 20 21 22 23 24 25 26 27 28



# KALAMAZOO MACHINE TOOL

H 280 M

DISEGNO N° : 0E0058A3	
FILE	: 0E0058A3/e
Date	: 03.1996
Foglio N°	: 2
24	25
26	27
28	



DISSEGNO N° :	QE0058A3
FILE :	QE0058A3/e
Data :	03.1996
Foglio N° :	3

24	25	26	27	28
----	----	----	----	----



# KALAMAZOO MACHINE TOOL

H 280 M

1	2	3	4	5	6	7	8	9	10	11	12	13	14	15	16	17	18	19	20	21	22	23	24	25	26	27	28
REF.	DEVICE	SPECIFICATIONS										FUNCTION	FACTORY	TYPE	ITEM N°	Q.TY											
FU1	Fuse block	4mmq. - 6A	Primary protection transformer	CONTAACLIP	STK1-PA	694520	1																				
FU1	Fuse	5x25mm. - Size 0.5A	Primary protection transformer	WEBER	5x25mm./0.5A	390010	1																				
FU2	Fuse block	4mmq. - 6A	Primary protection transformer	CONTAACLIP	STK1-PA	694520	1																				
FU2	Fuse	5x25mm. - Size 0.5A	Primary protection transformer	WEBER	5x25mm./0.5A	390010	1																				
FU3	Fuse block	Munting of panel	Secondary protection transformer	E.S.	PIF/30	694765	1																				
FU3	Fuse	5x20mm. - Size 0.8A	Secondary protection transformer	WEBER	5x20mm./0.8A	390001	1																				
KM1	Control master relay	4KW - 9A - 24Vac	Power coolant motor pump	LOVATO	MC9-10-24	260750	1																				
KM2	Control master relay	4KW - 9A - 24Vac	Power frequency drive unit	LOVATO	MC9-10-24	260750	1																				
M1	3Phase motor	0.15KW-400V- 3000g/1'	Coolant motor pump	OMCG	PMU40L P90	331416	1																				
M2	3Phase motor	1.5/1.8KW-400V-1500/3000g/1'	Circular motor	ELECTROADDA	B5 FC 90 2/4 POU	590050	1																				
L1	Filter (optional)	RC+Cable 575V	Noise suppressor	MPM	130809	334010	1																				
L2/L3	Toroidal core	Material N30	EMC Noise suppressor	S & M	R58 N30	930817	2																				
PA1	Ampermeter	0 / 5 a Mec 72X72	BAND motor current control	PANTEC	72/72 5A ANALOG.	118282	1																				
HL1/2/3	Pilot lights	IP44 + Cable 1.200mm-24V	Supply=White Bond=Green Carter=Green	SIGNALUX	ART3190 24V	786691	1+2																				
HL4	Pilot lights	IP44 + Cable 1.200mm-24V	STOP frequency drive unit = red	SIGNALUX	ART3190 24V	786691	1																				
QM1	Circuit breaker	3P/P.1.16KA/4-6.3A/Rate 4.5A	Main circuit breaker - Ampere rating 4.5	TELEMECANIQUE	GV2 M10/4-6.3A	766162	1																				
QM1	Min. vollege relay	400V	Unlooh main circuit	TELEMECANIQUE	GV2 AU385	164908	1																				
QM1	BOX	IP55	Box for main circuit breaker	TELEMECANIQUE	GV2 MP04 + V01	766196	1																				
RP1	Potentiometer	10K Ohm Relatin type, diam.6X50	Control speed band motor																								
RP1	Handle for Potentiometer	Hole diam. 22mm, rear type	Control speed band motor	CGE - CEMA	080 PTZ	699748	1																				
SB1	Pushbutton (handle)	6A 250 V	Control band motor	BREMAS	AP65	520821	1																				
SO1	Limit switch	IP00 - NC/0/NO	Control band position	PIZZATO	MS 06	520916	1																				
SO2	Limit switch	IP40 - NC/0/NO	Control carter closed	PIZZATO	MS32	520864	1																				
ST1	Thermal switch	Classe B	Overcurrent protection band motor	TERMIK			1																				
TC1	Control circuit transformer	50VA-VI 230/400-Vu 24 CE11418	Main auxiliary supply	C.E.	TM VASO	932500	1																				
U1	Frequency drive unit	1.5KW-400V/3 phase	Control speed circular motor	TELEMECANIQUE	ALTMAR 16ATV	521200	1																				



# KALAMAZOO MACHINE TOOL

H 280 M

DISEGNO N° : QE0058A3  
 FILE : QE0058A3/e  
 Data : 03.1996  
 Foglio N° : 4

24	25	26	27	28
----	----	----	----	----

1	2	3	4	5	6	7	8	9	10	11	12	13	14	15	16	17	18	19	20	21	22	23	24	25	26	27	28
REF.	DEVICE	SPECIFICATIONS										FUNCTION	FACTORY	TYPE	ITEM N°	Q.TY											
1U1	Frequency drive unit	1.5KW-230V										Control speed circular motor	TELEMECANIQUE	ALTIVAR 18ATV	521230	1											
2SB2	Pushbutton (Emergency)	Clearing rotation,										Emergency stop button	ELFIN	02OPTASRK	709285	1											
2SB2	Emergency contact	NO/NC										Emergency	ELFIN	020GE20		1											
X2	Insulation terminal	Sez. 1.5mmq										Connection thermal switch	K.E.	35038 + 35004	182942 + 182945	2											
X1	Terminal block	Double terminal block 2.5 mmq										Connection external equipments	CONTACTIP	RKD 2.5 PA	559092	9											
X	Insulation terminal	Sez. 1.5mmq										Connection thermal switch	K.E.	35038 + 35004	182942 + 182945	2											
2Y1	Solenoid valve	2/2 24V AC 1/4" size										Control bow lowering	PARKER	VE146-AJ-ABV	331690	1											
2Y2	Solenoid valve	2/2 24V AC 1/4" size										Control rapid approach	PARKER	VE146-AJ-ABV	331690	1											
gn1	Flexible tube	PVC 1" 90cm										Connection external equipments	TEAFLEX	PAS-C29B	507382	1											
cv2	Flexible cable	N07V-K 2x1 mmq. 60cm										Connection															
cv3	Flexible cable	N07V-K 2x1 mmq. 60cm										Connection															
cv4	Flexible cable	N07V-K 2x1 mmq. 1,4m										Connection															
cv5	Flexible cable	N07V-K 2x1 mmq. 40cm										Connection															
cv6	Flexible cable	N07V-K 2x1 mmq. 1m										Connection															
cv7	Flexible cable	N07W-K 4G1.5mmq. 1.5m										Connection															
cv8	Flexible cable	4G1.5mmq. scermolo 60cm										Connection			205065	1											
cv9	Flexible cable	N07V-K 2x1 mmq. 60cm										Connection				1											



# KALAMAZOO MACHINE TOOL

O N° : OE0114A3

: -  
: 10.1998  
N° : 5

25 26 27 28

H 280 M