

File	/10/02	Libroy	MRC	Dis. No.	R10033C3

KALAMAZOO MACHINE TOOL

H 280 SA



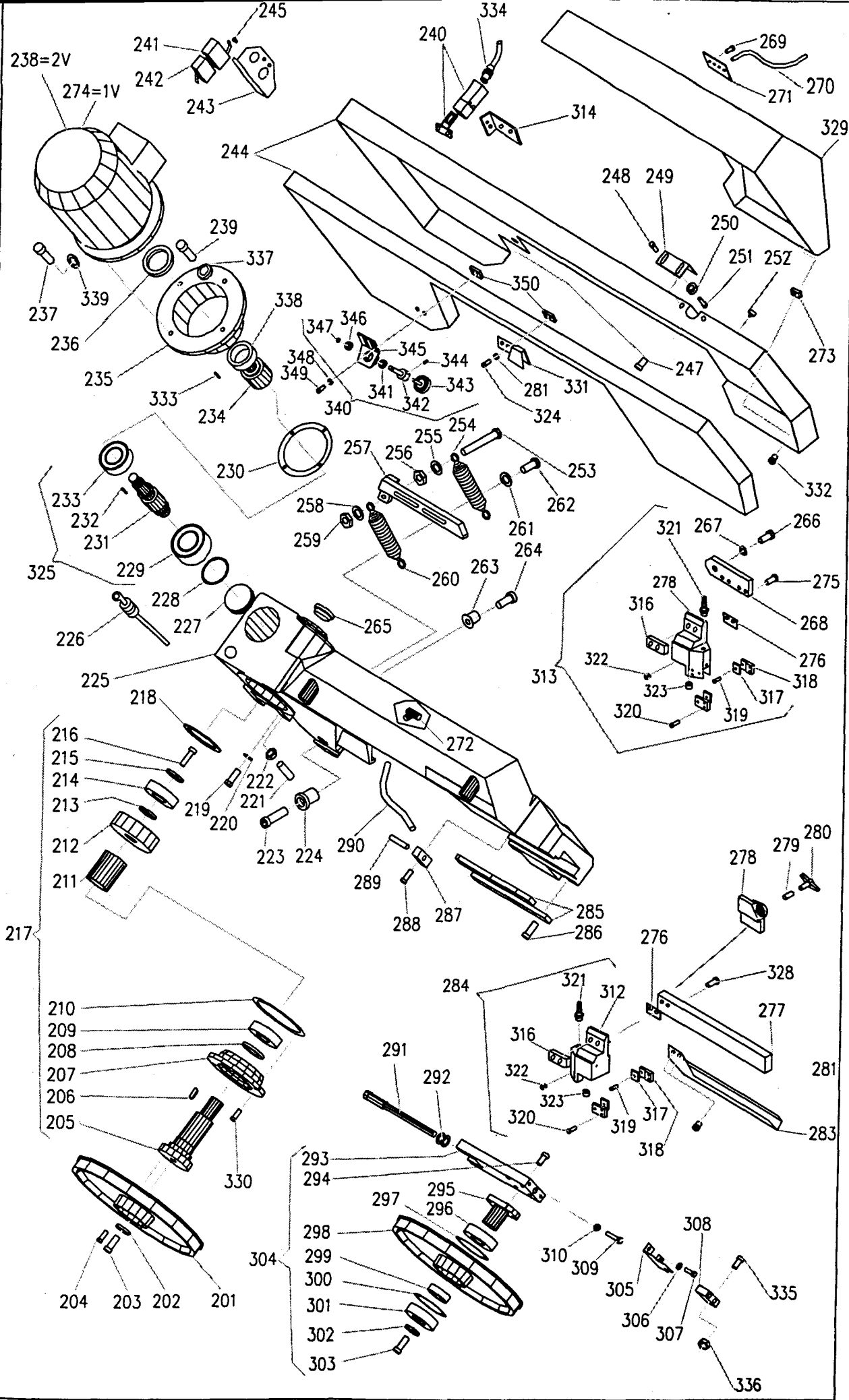
Nº	ITEM	DESCRIPTION	Q	Nº	ITEM	DESCRIPTION	Q	Nº	ITEM	DESCRIPTION	Q	Nº	ITEM	DESCRIPTION	Q
1	759398	STEEL ROLLER 300 X 50 MM DIA	1	51	307720	HEXAGONAL NUT M8	2	101	975843	SOCKET HEAD SCREW VICE 14X80	2	101	975843	SOCKET HEAD SCREW VICE 14X80	2
2	744820	WASHER 8X24X2	4	52	744820	WASHER D.8	2	102	975843	SOCKET HEAD SCREW VICE 14X80	2	102	975843	SOCKET HEAD SCREW VICE 14X80	2
3	995145	HEXAGON SCREW VICE 8X20	4	53	744045	SPECIAL WASHER D.20	4	103	749535	FLAT WASHER D.14	4	103	749535	FLAT WASHER D.14	3
4	227374	IRON BASE BS 280 PLUS	1	54	978095	SOCKET HEAD SCREW VICE M8 X 20	4	104	288083	AXIAL BEARING 51102 15X28X9	4	104	288083	AXIAL BEARING 51102 15X28X9	1
5	510200	ELECTRIC PUMP FLAT SEAL D.130X102X2	1	55	529020	VICE LEVER	1	105	943562	SOCKET SET SCREW VICE 12X40 A	1	105	943562	SOCKET SET SCREW VICE 12X40 A	4
6	331416	COOLANT ELECTRIC PUMP P.90 AST30	1	56	330055	SLEEVE FOR FAST POSITIONING	1	106	142800	IRON SHEET BASE	1	106	142800	IRON SHEET BASE	1
7	616628	NIPLO 1/2 X 1/2	1	57	546312	VICE SPRING	1	107	144999	BRASS SLEEVE FOR VICE	1	107	144999	BRASS SLEEVE FOR VICE	1
8	722172	AIR FITTING "T" 1/2"	1	58	157220	IRON PLATE FOR VICE	1	108	303845	HEXAGONAL NUT M 12	1	108	303845	HEXAGONAL NUT M 12	1
9	696346	NYLON FITTING WES R1/2 WITH ELBOW	1	59	307720	HEXAGONAL NUT M8	1	109	986865	SOCKET HEAD SCREW VICE M12X25	1	109	986865	SOCKET HEAD SCREW VICE M12X25	4
10	935500	COOLANT TUBE 0.8 X 14	m4	60	946320	SOCKET SET SCREW VICE M8X35 B	1	110	744987	SPECIAL WASHER D.20	1	110	744987	SPECIAL WASHER D.20	2
11	755995	COOLANT BALL VALVE 1/2"	1	61	495251	IRON RING FOR VICE HANDLE	1	111	129736	SEAL O-RING 47X22X7	1	111	129736	SEAL O-RING 47X22X7	1
12	694925	HOSE ADAPTER 1/2	1	62	513931	BALL HANDLE D40X12	1	112	331925	LOCKING RING TORRO W2 12-20	1	112	331925	LOCKING RING TORRO W2 12-20	1
13	935493	COOLANT TUBE 13X19	1	63	136827	20 MM DIA ROD FOR LENGTH DEVICE	1	113	741509	VICE WASHER SS20X28X2	1	113	741509	VICE WASHER SS20X28X2	2
14	690814	COOLANT SPRAY GUN	1	64	726786	12 MM DIA ROD FOR LENGTH DEVICE	1	114	983556	SOCKET HEAD SCREW TCE 8X100 UN15931	1	114	983556	SOCKET HEAD SCREW TCE 8X100 UN15931	2
15	976545	SOCKET HEAD SCREW M6X20 UN15931	4	65	725445	ALUMINIUM LOCKING DEVICE	1	115	744500	VICE WASHER D.9 X 15	1	115	744500	VICE WASHER D.9 X 15	6
16	547263	VICE SPRING	1	66	303845	HEXAGONAL NUT M12	1	116	735704	SUPPORT WASHER SS25X35X2	1	116	735704	SUPPORT WASHER SS25X35X2	1
17	513931	BALL HANDLE D.40 X 12	1	67	978095	SOCKET HEAD SCREW M8X20	1	117				117			
18	537249	VICE HANDLE ROD	1	68	744820	WASHER D8	1	118				118			
19	941334	SOCKET SET SCREW M10X10 C	1	69	791640	CYLINDRICAL PIN 10X60 UN16364A	1	119				119			
20	513931	BALL HANDLE D.12 X 40	1	70	536675	LOCKING HANDLE M12 X 45	1	120				120			
21	222750	PNEUMATIC VICE CYLINDER BS280 D.100X10	1	71	492590	RIGHT CAST IRON JAW	1	121				121			
22	719245	SQUARE AIR FITTING RG6\8	2	72	172180	20 MM DIA BRASS BUSHING	1	122				122			
23	279150	LEFT WEDGE FOR SLIDING VICE W/HOLE	1	73	492640	LEFT CAST IRON JAW	1	123				123			
24	749470	FLAT WASHER D10	1	74	065142	TURNING PIN & BEARING ASSEMBLY	1	124				124			
25	279160	RIGHT WEDGE FOR SLIDING VICE W/THREAD	1	75	651426	TURNING PIN	1	125				125			
26	536527	ALUMINIUM VICE LOCKING HANDLE	1	76	119621	SEAL O-RING 171	1	126				126			
27	851977	VICE CAST IRON SUPPORT	1	77	283102	BEARING 32008XA 40X68X19	1	127				127			
28	929297	THREADED ROD M10X170	1	78	778615	BALL 12 MM DIA FOR BASE	1	128				128			
29	550000	CPL. PNEUMATIC VICE BS280 PLUS	2	79	547316	SPRING	1	129				129			
30	331178	COMPLETE COOLANT PUMP	2	80	946748	SOCKET SET SCREW VICE14X20 A	1	130				130			
31	957138	VICE SCREW	1	81	305000	HEXAGONAL NUT M14	1	131				131			
32	735602	SUPPORT WASHER 22X32X2	3	82	683202	CPL. TURNING PLATFORM W/PIN	1	132				132			
33	978095	SOCKET HEAD SCREW VICE 8X20	2	83	283011	BEARING 32005X 25X47X15	1	133				133			
34	657186	IRON FRONT PLATE FOR PNEUMATIC VICE	1	84	750100	SAFETY WASHER M85	1	134				134			
35	184921	SLIDING VICE TROLLEY	1	85	497110	LOCKING RING KM5	1	135				135			
36	984258	HEXAGON SCREW VICE 10X25	2	86	179350	BRASS SPACER FOR POTENTIOMETER	1	136				136			
37	486394	TROLLEY VICE JAW	1	87	995090	SOCKET HEAD SCREW M8X16	1	137				137			
38	280052	VICE ADJUSTMENT WEDGE	1	88	699740	PLATE SUPPORT FOR POTENTIOM.	1	138				138			
39	788270	ELASTIC PIN 5 X10	2	89	699743	POTENTIOMETER	1	139				139			
40	945432	SOCKET SET SCREW VICE GRANO 8X30 C	6	90	265795	COVER FOR POTENTIOMETER	1	140				140			
41	307720	HEXAGONAL NUT M8	6	91	975910	SOCKET HEAD SCREW VICE M4X5	2	141				141			
42	946675	SOCKET SET SCREW VICE GRANO 12X60 A	2	92	975910	SOCKET HEAD SCREW VICE M4X5	2	142				142			
43	303845	HEXAGONAL NUT M12 UN15587	2	93	139631	ADHESIVE LABEL FOR BASE	1	143				143			
44	169462	ELECTRIC BOARD SUPPORT	1	94	777703	BALL 6 MM DIA	205	144				144			
45	169462	EXAGONAL NUT M10	1	95	918500	ANGLE PLATE FOR PLATFORM	1	145				145			
46	983916	SOCKET HEAD SCREW TCE M10X30 UN15931	1	96	946748	SOCKET SET SCREW VICE 14X20A UN15923	1	146				146			
47	977650	SOCKET HEAD SCREW M6X14 UN15931	4	97	165895	BUSH FOR JAWS POSITIONING	2	147				147			
48	749470	FLAT WASHER D8	1	98	172378	CENTRAL BUSHING 40 MM. DIA.	1	148				148			
49	759398	STEEL ROLLER 300 X 50 MM DIA	1	99	142719	BS 280 CAST IRON BASE	1	149				149			
50	698045	ROLLER SUPPORT	1	100	973874	SOCKET HEAD SCREW TCE 12X35 UN15931	4	150				150			



KALAMAZOO MACHINE TOOL

H 280 SA

Date	/10/02	Disc.	MRC	Dra. No	RI0033C3



Date	10/02	Part No.	RI003303
Drawn		MRC	
Check			
Part			

KALAMAZOO MACHINE TOOL

H 280 SA



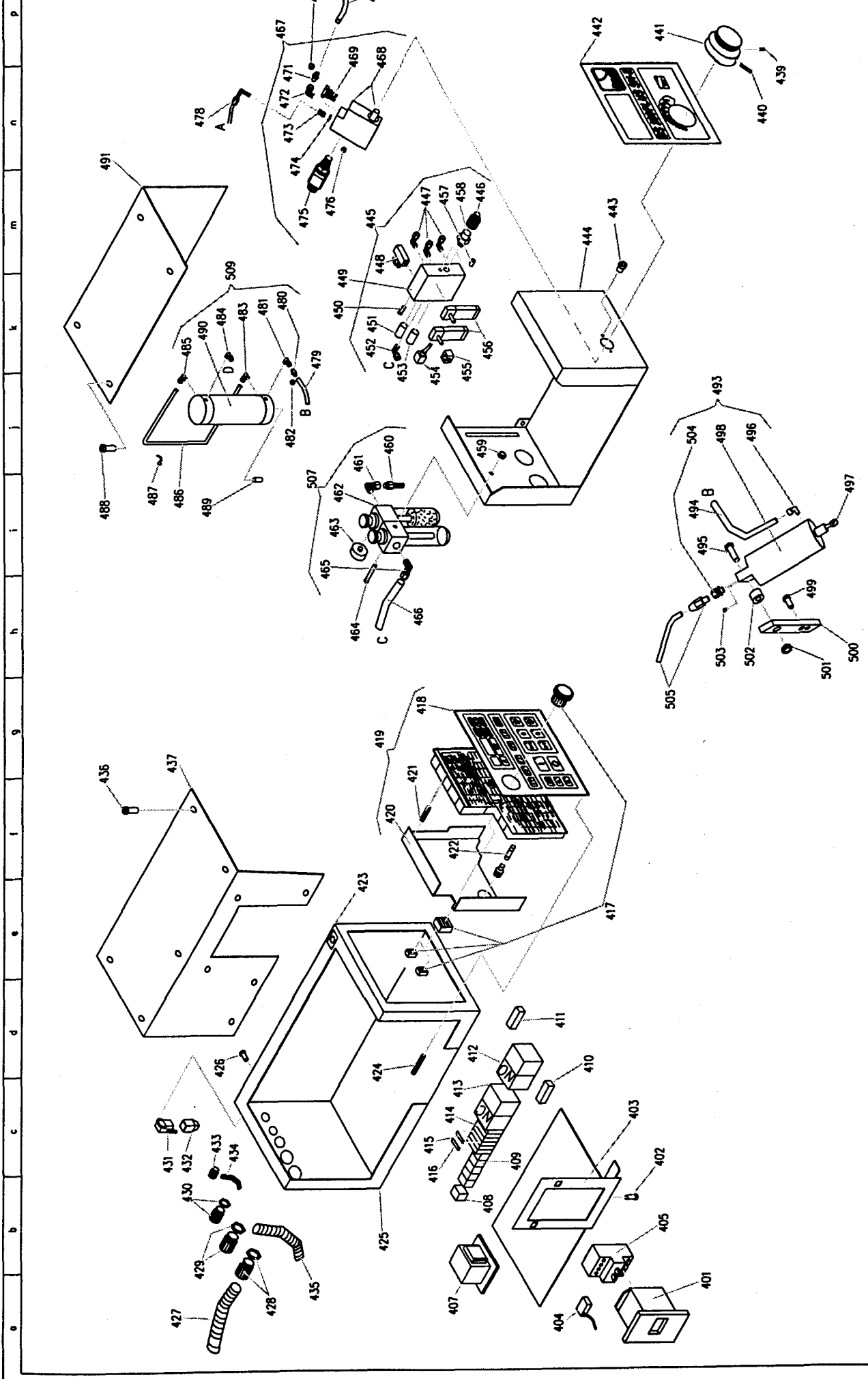
No	ITEM	DESCRIPTION	Q	No	ITEM	DESCRIPTION	Q	No	ITEM	DESCRIPTION	Q	No	ITEM	DESCRIPTION	Q
201	707195	REAR PULLEY 320 MM DIA	1	251	970273	SOCKET HEAD SCREW VICE 8X12	1	301	291020	BEARING 6207EE 35X72X17	1	301	291020	BEARING 6207EE 35X72X17	1
202	546938	CUP SPRING 40X20.4X2.5	1	252	521585	PLASTIC FIXING PLATE	7	302	742333	WASHER 45X35X10.5	1	302	742333	WASHER 45X35X10.5	1
203	956844	LEFT HANDED THREAD SCREW M14X30	1	253	988375	HEXAGON SCREW VTE 12X80	2	303	964920	FLARED SOCKET SCREW VSP 10X30	1	303	964920	FLARED SOCKET SCREW VSP 10X30	1
204	977650	SOCKET HEAD SCREW VICE 8X16	1	254	547652	SAW FRAME RETURN SPRING	1	304	065866	FRONT PULLEY, SHAFT & SUPPORT ASSEMBLY	1	304	065866	FRONT PULLEY, SHAFT & SUPPORT ASSEMBLY	1
205	113517	SHAFT FOR REAR PULLEY	1	255	744987	WASHER D.12X30X4	2	305	699579	BLADE STROKE-END SUPPORT	1	305	699579	BLADE STROKE-END SUPPORT	1
206	216270	KEY 8X7X25	1	256	303845	HEXAGONAL NUT M12	2	306	748695	WASHER D.8	2	306	748695	WASHER D.8	2
207	349584	REDUCTOR CLOSING FLANGE	1	257	688448	SPRING CONNECTION PLATE	1	307	994370	HEXAGON SCREW VTE 6X10 UNI5739	2	307	994370	HEXAGON SCREW VTE 6X10 UNI5739	2
208	129107	SEAL RING 55X70X8	1	258	744987	WASHER D.12X30X4	2	308	520864	BLADE TENSIONER MICROSWITCH	1	308	520864	BLADE TENSIONER MICROSWITCH	1
209	288995	BEARING 6209 45X85X19	1	259	294306	SELF-LOCKING NUT M12	2	309	994800	HEXAGON SCREW VTE 6X30 UNI5739	1	309	994800	HEXAGON SCREW VTE 6X30 UNI5739	1
210	511330	FLAT SEAL FOR FLANGE D.145X110	1	260	547652	SAW FRAME RETURN SPRING	2	310	306500	HEXAGONAL NUT M6	1	310	306500	HEXAGONAL NUT M6	1
211	322160	CROWN SPACER	1	261	744987	WASHER D.12X30X4	2	311	984258	HEXAGON SCREW VTE 6X30 UNI5739	4	311	984258	HEXAGON SCREW VTE 6X30 UNI5739	4
212	276674	BRONZE CROWN m3	1	262	974100	SOCKET HEAD SCREW VICE 12X30 UNI5931	1	312	631167	BLADE GUIDE FRONT SUPPORT	1	312	631167	BLADE GUIDE FRONT SUPPORT	1
213	735755	SUPPORT WASHER 30X42X2.5	1	263	179945	12 MM DIA STEEL BUSHING	1	313	631165	BLADE GUIDE REAR SUPPORT ASSEMBLY	1	313	631165	BLADE GUIDE REAR SUPPORT ASSEMBLY	1
214	288726	BEARING 6206 30X62X16	1	264	974100	SOCKET HEAD SCREW VICE 12X40	1	314	522913	SAFETY MICROSWITCH SUPPORT PLATE	1	314	522913	SAFETY MICROSWITCH SUPPORT PLATE	1
215	742282	FLARED WASHER 40X30X10.5	1	265	786162	OIL LIGHT 45 MM DIA	1	315	661920	LOCKING PLATE M8	2	315	661920	LOCKING PLATE M8	2
216	964920	SOCKET FLAT SCREW VSP 10X30	1	266	969630	SOCKET FLAT SCREW VSP 12X30 UNI5933	1	316	515800	SQUARE CARBIDE INSERT	4	316	515800	SQUARE CARBIDE INSERT	4
217	011351	REAR PULLEY SHAFT ASSEMBLY	1	267	737845	FLARED WASHER D.35 X5	1	317	697300	CARBIDE INSERT SUPPORT	4	317	697300	CARBIDE INSERT SUPPORT	4
218	544666	CUP SPRING FOR BEARING	1	268	688920	BLADE GUIDE REAR SUPPORT	1	318	965900	FLARED SOCKET SCREW VSP M4X8	4	318	965900	FLARED SOCKET SCREW VSP M4X8	4
219	986740	HEXAGON SCREW VTE 12X16	1	269	970273	SOCKET HEAD SCREW VICE 8X12	2	319	965900	SOCKET HEAD SCREW VICE M4X12	8	319	965900	SOCKET HEAD SCREW VICE M4X12	8
220	734745	ALUMINIUM WASHER 1/4"	1	270	936359	IRON SHEET FOR COOLANT DISTRIB.	1	320	696080	NYLON HOSE ADAPTORS GES6 R1/8	1	320	696080	NYLON HOSE ADAPTORS GES6 R1/8	1
221	943562	SOCKET SET SCREW VTE 12X40 A	1	271	521951	COOLANT DISTRIBUTOR	1	321	943562	SOCKET SET SCREW VCE M5X5	4	321	943562	SOCKET SET SCREW VCE M5X5	4
222	303845	HEXAGONAL NUT M12	1	272	327281	LOCKING PLATE	3	322	978095	SPECIAL ROUND CARBIDE INSERT	2	322	978095	SPECIAL ROUND CARBIDE INSERT	2
223	975898	SOCKET HEAD SCREW VICE 16X45	1	273	667765	1 SPEED 4 POLES 3 PH. MOTOR V.400/230 B5	1	323	978095	ENDLESS SCREW m3 & BEARING ASSEMBLY	1	323	978095	ENDLESS SCREW m3 & BEARING ASSEMBLY	1
224	177280	BUSHING D.16 FOR TURNING PIN	1	274	589750	SOCKET HEAD SCREW VICE 8X30	2	324	978095	SOCKET HEAD SCREW VICE M8 X 20	2	324	978095	SOCKET HEAD SCREW VICE M8 X 20	2
225	131826	CAST IRON SAW FRAME	1	275	979645	BLADE GUIDE SPACER	2	325	095892	SOCKET HEAD SCREW VICE 8X20	1	325	095892	SOCKET HEAD SCREW VICE 8X20	1
226	865362	OIL INLET PLUG	1	276	322058	BLADE GUIDE SLIDING BAR	1	326				326			
227	315285	ADJUSTMENT DISC	1	277	688800	CAST IRON BLADE GUIDE SUPPORT	1	327	978870	SOCKET HEAD SCREW VICE 8X25 CL.8.8 UNI5931	2	327	978870	SOCKET HEAD SCREW VICE 8X25 CL.8.8 UNI5931	2
228	119395	SEAL O-RING 159	1	278	798940	INSIDE BRASS PIN M8	1	328	201480	SAWFRAME COVER	1	328	201480	SAWFRAME COVER	1
229	286302	BEARING 31305 A	1	279	172190	LITTLE HANDLE M8	1	329	968020	FLARED SOCKET SCREW VSP 8X20 UNI5933	4	329	968020	FLARED SOCKET SCREW VSP 8X20 UNI5933	4
230	511300	FLAT SEAL 120X80	1	280	962930	SPECIAL WASHER D20X5	2	330	728559	BLADE REAR COVER BS 280 PLUS	1	330	728559	BLADE REAR COVER BS 280 PLUS	1
231	958928	ENDLESS SCREW m3	1	281	744045	SOCKET HEAD SCREW VICE 5X10 UNI5931	2	331	970200	FILLISTER SCREW D.4.8 X19	1	331	970200	FILLISTER SCREW D.4.8 X19	1
232	214700	KEY 6X6X20	1	282	976090	FRONTAL BLADE COVER	1	332	920700	KEY 8X7X15 UNI6604	1	332	920700	KEY 8X7X15 UNI6604	1
233	286795	BEARING 30305A 25X62X15.13	1	283	728542	FRONT BLADE GUIDE ASSEMBLY	2	333	215123	CABLE GLAND PG11 MIRKO	1	333	215123	CABLE GLAND PG11 MIRKO	1
234	500316	NYLON COUPLING M24 D.19X24	1	284	631163	BLADE TENSIONER PLATE GUIDE	1	334	630811	SOCKET HEAD SCREW VICE 4X25 UNI5931	1	334	630811	SOCKET HEAD SCREW VICE 4X25 UNI5931	1
235	523762	MOTOR AND SAW FRAME COUPLING	1	285	658347	HEXAGON SCREW VTE 8X20	6	335	975923	SELF-LOCKING HEXAGONAL NUT M4 DIN980	1	335	975923	SELF-LOCKING HEXAGONAL NUT M4 DIN980	1
236	128702	SEAL RING 25X35X7	1	286	995145	BLADE TENSIONER THREADED PIECE	1	336	294002	SCHNORR WASHER D.8	4	336	294002	SCHNORR WASHER D.8	4
237	984258	HEXAGON SCREW VTE 10X25	4	287	157206	SOCKET SET SCREW VICE 12X45 C	1	337	750011	MOTOR SHAFT SPACER	1	337	750011	MOTOR SHAFT SPACER	1
238	590050	ELECTR. MOTOR 2/4 POLES FC90 B5 400 VOLT	1	288	979645	SOCKET SET SCREW VICE 12X45 C	2	338	325859	FLAT WASHER D.10	1	338	325859	FLAT WASHER D.10	1
239	978095	SOCKET HEAD SCREW VICE 8X20	4	289	943627	PLASTIC HOSE 6X9 MM	1	339	746370	BLADE BRUSH & SUPPORT ASSEMBLY	1	339	746370	BLADE BRUSH & SUPPORT ASSEMBLY	1
240	520765	SAFETY LIMIT SWITCH	1	290	936359	BLADE TENSIONING PIN	1	340	078568	BEARING 608Z2 8X7X22	1	340	078568	BEARING 608Z2 8X7X22	1
241	182969	ELECTRIC SWITCH PROTECTION	1	291	792334	CUP SPRING 31.5X16.3X2	18	341	286020	BLADE BRUSH 50 MM DIA	1	341	286020	BLADE BRUSH 50 MM DIA	1
242	520964	ELECTRIC SWITCH W/LEVER	1	292	546957	FRONT PULLEY PLATE SUPPORT	1	342	625259	SOCKET SET SCREW VCE 6X10A UNI5923	1	342	625259	SOCKET SET SCREW VCE 6X10A UNI5923	1
243	688310	EL SWITCH & TUBE SUPPORT	1	293	658663	SHAFT FOR FRONT PULLEY	4	343	785682	BRUSH SUPPORT	1	343	785682	BRUSH SUPPORT	1
244	201515	NEW BLADE COVER ASSEMBLY	1+1	294	978870	BEARING 35X72X17	1	344	943681	BEARING 608Z2 8X7X22	1	344	943681	BEARING 608Z2 8X7X22	1
245	995090	HEXAGON SCREW TE 8X16 UNI5739	2	295	113502	SEGER INTERNAL J72	1	345	694280	SPECIAL WASHER D.20	2	345	694280	SPECIAL WASHER D.20	2
246			2	296	291020	PULLEY SPACER	1	346	286020	SOCKET SET SCREW VICE 8X16 UNI5931	2	346	286020	SOCKET SET SCREW VICE 8X16 UNI5931	2
247	970273	SOCKET HEAD SCREW VICE 8X12	5	297	128116	SEGER INTERNAL RING J72	1	347	127655	BRUSH LOCKING PLATE	1	347	127655	BRUSH LOCKING PLATE	1
248	970273	SOCKET HEAD SCREW VICE 8X12	2	298	707209		1	348	744045		1	348	744045		1
249	796778	BLADE COVER BEARING SUPPORT	1	299	327118		1	349	977650		1	349	977650		1
250	286020	BEARING 608Z2 8X22X7	1	300	128116		1	350	661920		1	350	661920		1



KALAMAZOO MACHINE TOOL

H 280 SA

Date	Pages	MRC	RI0033C3
/10/02			



KALAMAZOO MACHINE TOOL

H 280 SA

Date /10/02

MRC

R10033C3

o b c d e f g h i j k l m n p

No	ITEM	DESCRIPTION	Q	No	ITEM	DESCRIPTION	Q	No	ITEM	DESCRIPTION	Q
401	766196	OVERLOAD PROT. BOX GV2-MP04+V01 PADLOCK.	1	451	775918	AIR FLOW REGULATOR SN/8	1	501	303070	EXAGONAL NUT M10	1
402	969915	SOCKET HEAD SCREW VICE M6X10	2	452	715370	RAPID AIR FITTING, ELBOW RG=8-1/4	1	502	167248	BRASS SPACER FOR BOW	1
403	629000	INSIDE PANEL FOR ELECTRIC CONTROL	1	453	775918	AIR FLOW REGULATOR SN/8	1	503	943681	SOCKET SET SCREW ICE GRANO M6X10	1
404	164908	MINIMUM TENSION COIL GV2-AU385 TELEMEC.	1	454	260125	ELECTR. REGULATOR 2 POS.=CNNT=USR102/N9	2	504	716834	SIREIGHT AIR FITTING 1\4 X8	1
405	766162	OVERLOAD MOTOR PROT. GV2-M10 4-6.3 AMPS	1	455	164010	"BONESI" COIL 50Hz x EC138	2	505	933569	TUBOFLEX OIL R7 1\4	1
406				456	331611	AIR VALVE "BONESI" EC13881AE	2	506			
407	931200	TRANSFORMER 160VA V220-380	1	457	865100	AIR PLUG VCE 1/8GAS DIN906	1	507	S50687	CPL. AIR TREATMENT UNIT	1
408	558810	TERMINAL CONNECTION ES35	1	458	699897	PRESSURE SWITCH PM0.15-3A I=1 1/8	1	508			
409	559092	TERMINAL CONNECTION VIKING 4mmq 500V	5	459	294002	EXAGONAL NUT M4 AUTOBLOCK	1	509	S50687	CPL. OIL TANK	1
410	260820	CONTACTOR JUNCTION	1	460	695115	HOSE ADAPTER PC8-4	1	510			
411	260795	ELECTR. CONTACT AUX.G320/1 NO+NC	1	461	716145	FITTING, ELBOW G-4MF=5020A1/4	1	511			
412	260750	CONTACTOR MC910 2450AC NO	1	462	506873	AIR UNIT	1	512			
413	260745	CONTACTOR MC901 2450	4	463	539534	AIR PRESSURE GAUGE 11-12-040 12 BAR 1/8"	1	513			
414	694765	PANEL FUSE HOLDER 5X25	4	464	976088	SOCKET HEAD SCREW TCE 4X50 UNI5931	2	514			
415	390010	SPECIAL FUSE 5X25 AMPS.	6	465	715370	RAPID AIR FITTING RG 8-1/4	1	515			
416	390001	SPECIAL FUSE 5X20 AMPS.	4	466	935470	AIR NYLON HOSE 6X8 MM	1	516			
417	709285	EMERGENCY PUSHBUTTON	4	467	S72780	OIL FLOW REGULATOR ASSEMBLY	1	517			
418	918600	FRONT PANEL FOR CONTROL	1	468	727019	OIL FLOW REGULATOR	1	518			
419		CPL. KEYBOARD FOR CONTROL	1	469	202202	ONE-WAY CARTRIDGE RC060500	1	519			
420	728800	REAR COVER FOR KEYBOARD	1	470	331925	HOSE CLAMP TORRO W2 12-20	1	520			
421	327209	HEXAGONAL SPACER	4	471	695115	HOSE ADAPTER PC8-4	1	521			
422	390001	SPECIAL FUSE 5X20 AMPS.	1	472	716145	OIL FITTING, ELBOW G-4MF=5020A 1/4"	1	522			
423	667770	FIXING PLATE RPE0166-4.8	1	473	716874	OIL FITTING, ELBOW E211-108L 3/8X8	1	523			
424	327201	HEXAGONAL SPACER	2	474	734694	COPPER WASHER 1/4"	2	524			
425	712000	CONTROL PANEL BOX	1	475	331699	AIR VALVE "BONESI"	1	525			
426	970278	SOCKET HEAD SCREW M8X16	1	476	864825	AIR PLUG +SEAL 1/8"	1	526			
427	507382	ELECTR. HOSE PMA PASG298 1"	1	477	933716	OIL PLASTIC HOSE CARBOIL NI10X17	1	527			
428	718862	ELECTR. FITTING PMA	1	478	937210	OIL HOSE R7 1/4 LENGTH 1200 DB:IDI R/1-90"	1	528			
429	718875	AIR FITTING, ELBOW 1" TEAFLEX BWFO G043	1	479	933716	OIL PLASTIC HOSE CARBOIL 10X17	1	529			
430	718859	STREIGHT AIR FITTING 3/4" + EXAGONAL SCREW	1	480	695115	HOSE ADAPTER PC8-4	1	530			
431	699750	WALL SOCKET	1	481	716145	FITTING, ELBOW G/4 MF	1	531			
432	786845	PLUG FOR WALL SOCKET	1	482	331925	HOSE CLAMP TORRO W2 12-20	1	532			
433	630700	CABLE GLAND PG13.5 + DADO	1	483	720035	AIR FITTING, ELBOW GTN 6X8/8	1	533			
434	205213	4 POLES CABLE	1	484	720050	AIR RAPID FITTING, ELBOW RG6/4	1	534			
435	507382	ELECTR. HOSE PMA PASG298 1"	1	485	720035	AIR FITTING, ELBOW GTN 6X8/8	1	535			
436	970200	PHILLISTER SCREW	10	486	935470	AIR NYLON HOSE 6X8 MM	1	536			
437	266000	COVER FOR CONTROL BOARD	1	487	521580	HOSE CLAMP	1	537			
438				488	970200	FILLISTER SCREW 4.8X16 U6954	2	538			
439	943681	SOCKET SET SCREW VICE GRANO M6X10	1	489	865936	OIL PLUG 1/4GAS DIN906G	8	539			
440	788220	ELASTIC PIN 4X20	1	490	774307	OIL TANK	1	540			
441	513739	HANDLE FOR REGULATOR	1	491	266111	COVER FOR CONTROL PANEL	1	541			
442	139923	LABEL FOR CONTROL PANEL	1	492			1	542			
443	976113	SOCKET HEAD SCREW TCE M6X14	2	493	Q22285	CPL. BOW CYLINDER	1	543			
444	712111	CONTROL BOX	1	494	934695	AIR NYLON HOSE 4X6 PA11	1	544			
445	Q32500	AIR DISTRIBUTOR ASSEMBLY	1	495	984141	SOCKET HEAD SCREW M10X60 UNI5931	1	545			
446	182962	PRESSURE SWITCH COVER	1	496	720050	RADD AIR FITTING D6 1/4"	1	546			
447	719245	RAPID AIR FITTING, ELBOW RG6/8=6	3	497	780850	MALE JOINT UNIBALL M10	1	547			
448	727020	AIR FLOW REGULATOR	1	498	222828	BOW CYLINDER	1	548			
449	327856	AIR DISTRIBUTOR	1	499	973445	SOCKET HEAD SCREW M12X30	1	549			
450	970248	SOCKET HEAD SCREW VICE M6X12	2	500	688737	STEEL PLATE FOR CYLINDER	1	550			

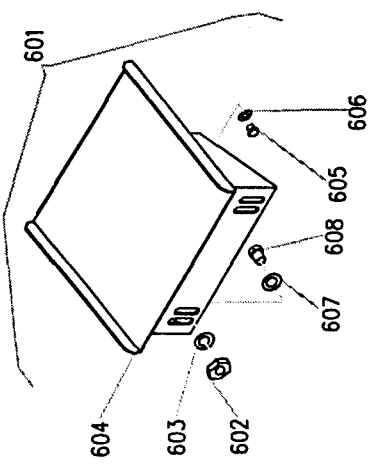


KALAMAZOO MACHINE TOOL

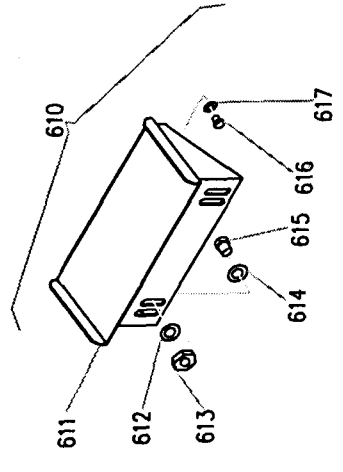
H 280 SA

Date	10/02	Disegn	MRC	Fig. No	R10033C3
Date					

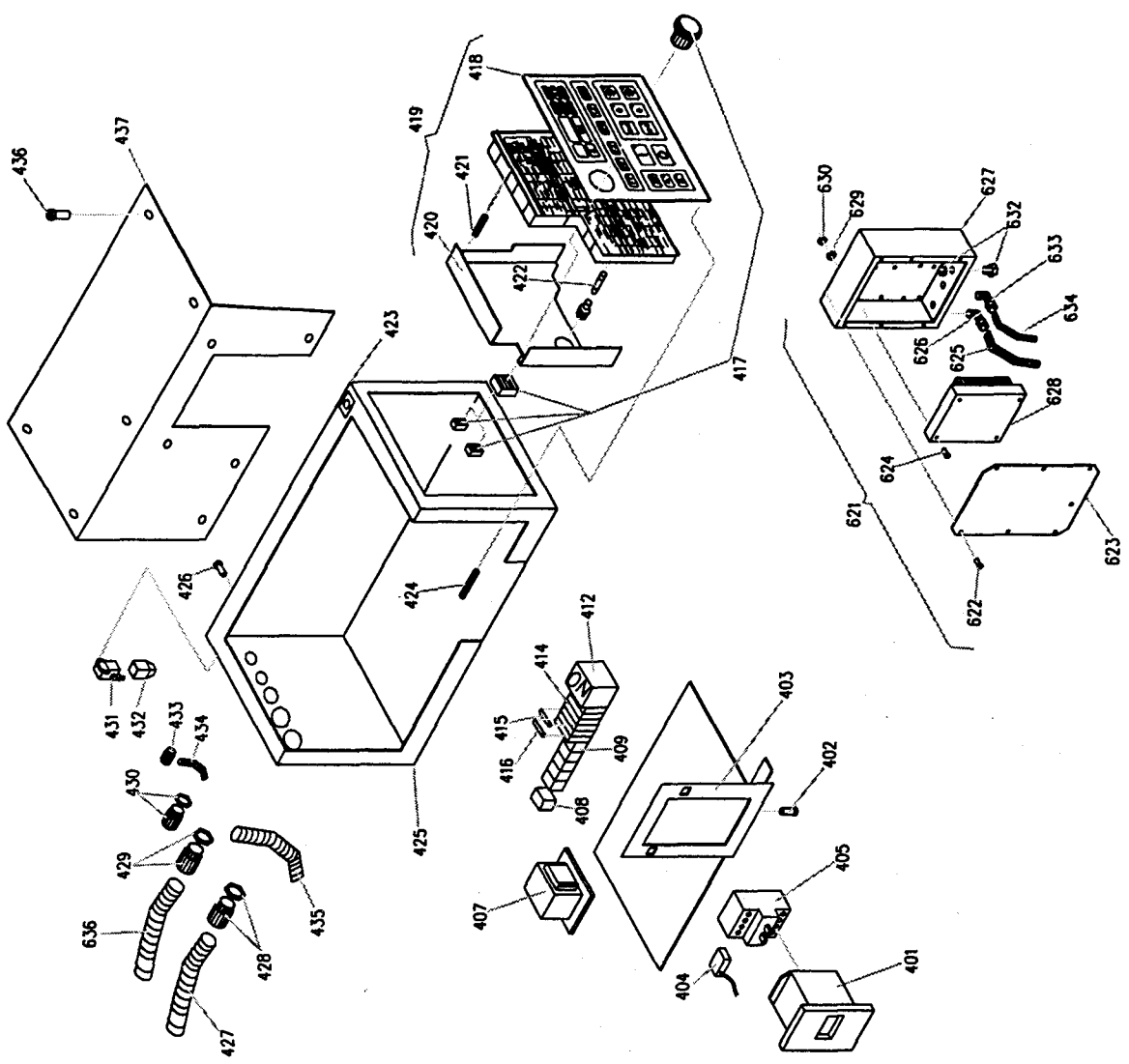
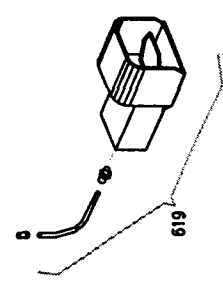
e o b c d e f g h i j k l m n p



RAB2PS (RTS + RTM + RTD)



RAB2PU (RTS + RTM)



SOLO MACCHINE CON "ESC"



KALAMAZOO MACHINE TOOL

H 280 SA

Data	/010/02	Disegno	MRC	File	459	RIC0033C3

DEVICE DESIGNATIONS

AT Main control
 B Proximity switch
 C Capacitor
 FU Fuse block
 KM Control master relay
 HL Pilot light
 L Filter suppressor
 M Motor
 PA Ampermeter
 QM Circuit breaker
 RP Potentiometer
 SA Selector switch
 SB Pushbutton
 SQ Limit switch
 SP Pressure switch
 ST Thermic switch
 TC Control circuit transformer
 TV Voltage transformer
 U Controller A.C.
 V Rectifier diode
 VC Rectifier bridge
 X Terminal block
 XS Plug
 XP Receptacle
 YV Solenoid valve

CODE TO NUMBER AUXILIARY CONDUCTORS
(ABCD)

AB = page's number
 CD = progressiv's conductor's number

CODE TO INITIALLING FOR ELECTRIC EQUIPMENT
(A B C)

A = page's number
 B = device designation
 C = progressiv's number

CODE TO LOCATE OF RELAY CONTACTS
(A . B)

A = page's number
 B = column's number

CODE TO REFER LINE
(A / B)

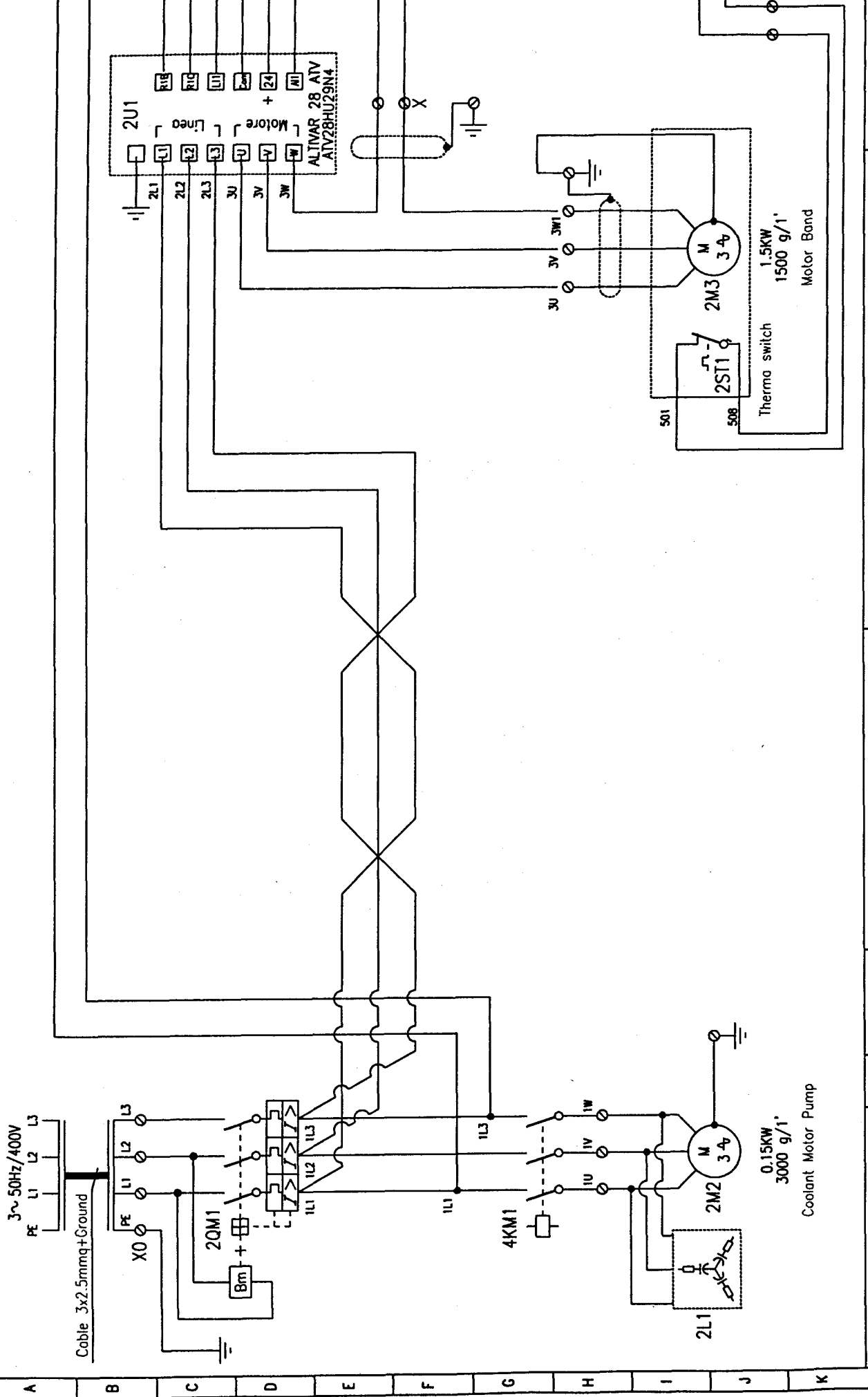
A = page's number
 B = column's number and letter's line



KALAMAZOO MACHINE TOOL

H 280 SA

1 2 3 4 5 6 7 8 9 10 11 12 13 14 15 16 17 18 19 20 21 22 23 24 25 26



FILE	:	-
Data	:	09.20
Foglio N°	:	2
24	25	26

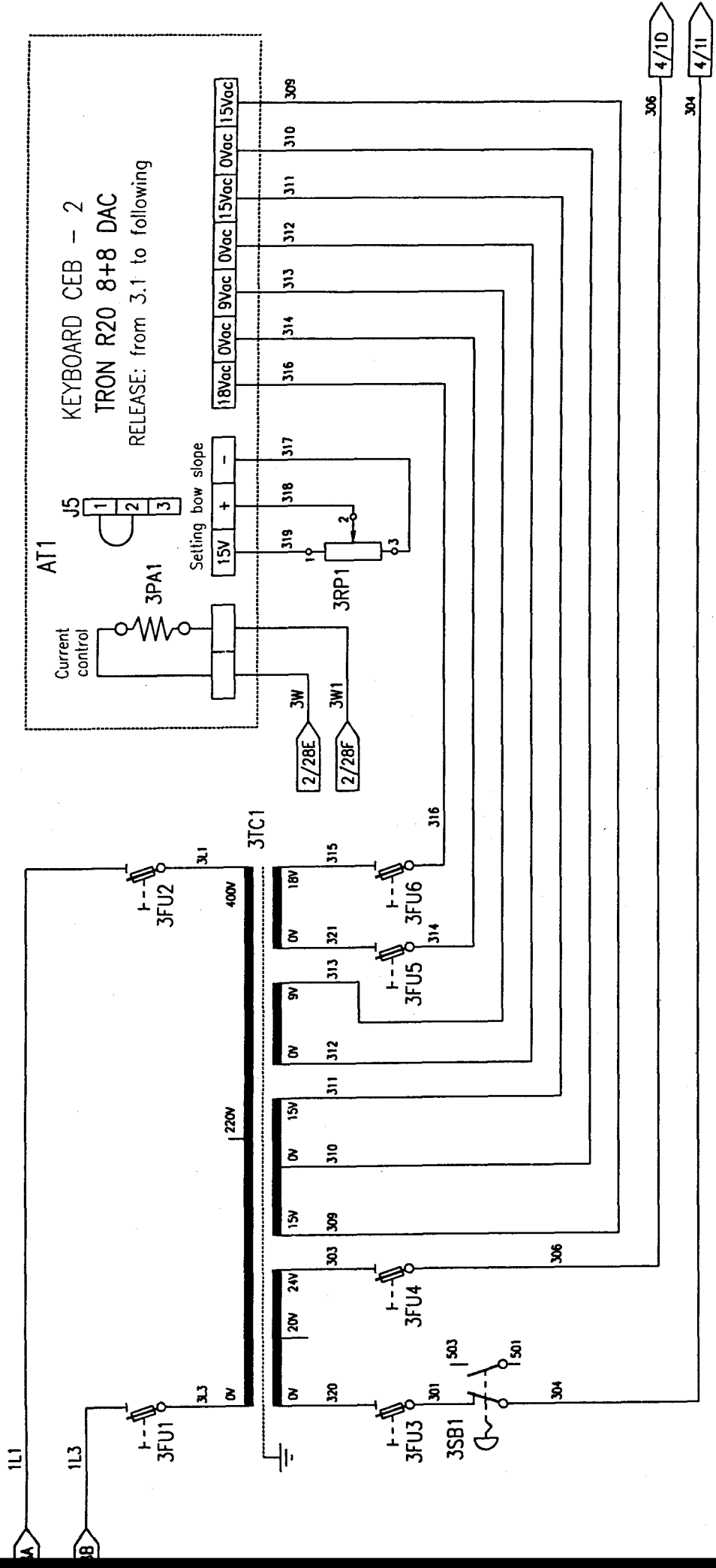
DISSEGNO N° : GE001



KALAMAZOO MACHINE TOOL

H 280 SA

2 3 4 5 6 7 8 9 10 11 12 13 14 15 16 17 18 19 20 21 22 23 24 25 26 27 28



KALAMAZOO MACHINE TOOL

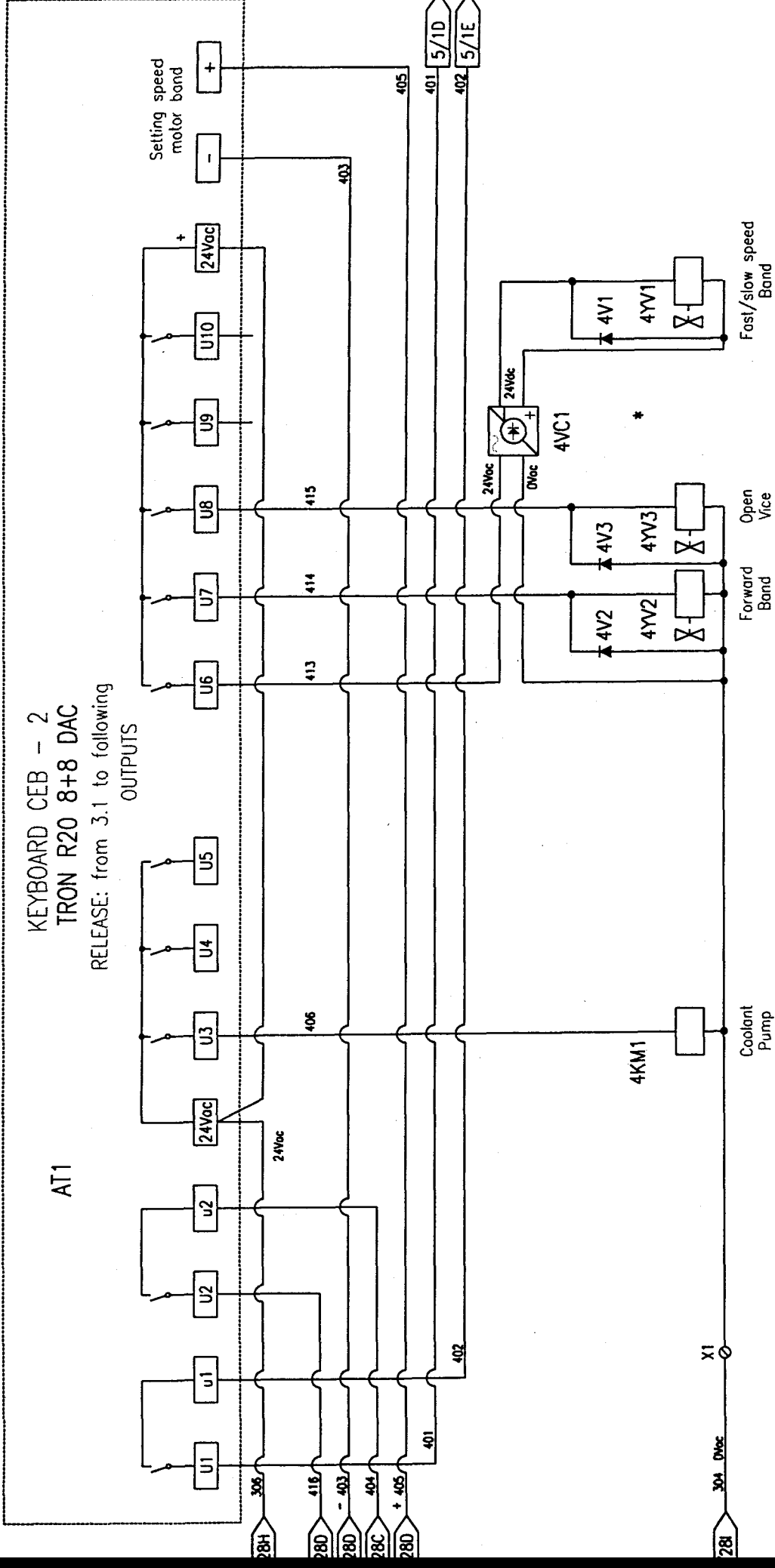
H 280 SA

DISEGNO N° : QE0012F2	
FILE	: -
Data	: 09.2001
Foglio N°	: 3
24	25
26	27
28	28

KEYBOARD CEB - 2
TRON R20 8+8 DAC

RELEASE: from 3.1 to following

OUTPUTS



NA	INC
2.10	
2.11	
2.11	

DISEGNO N° : QE0012F2

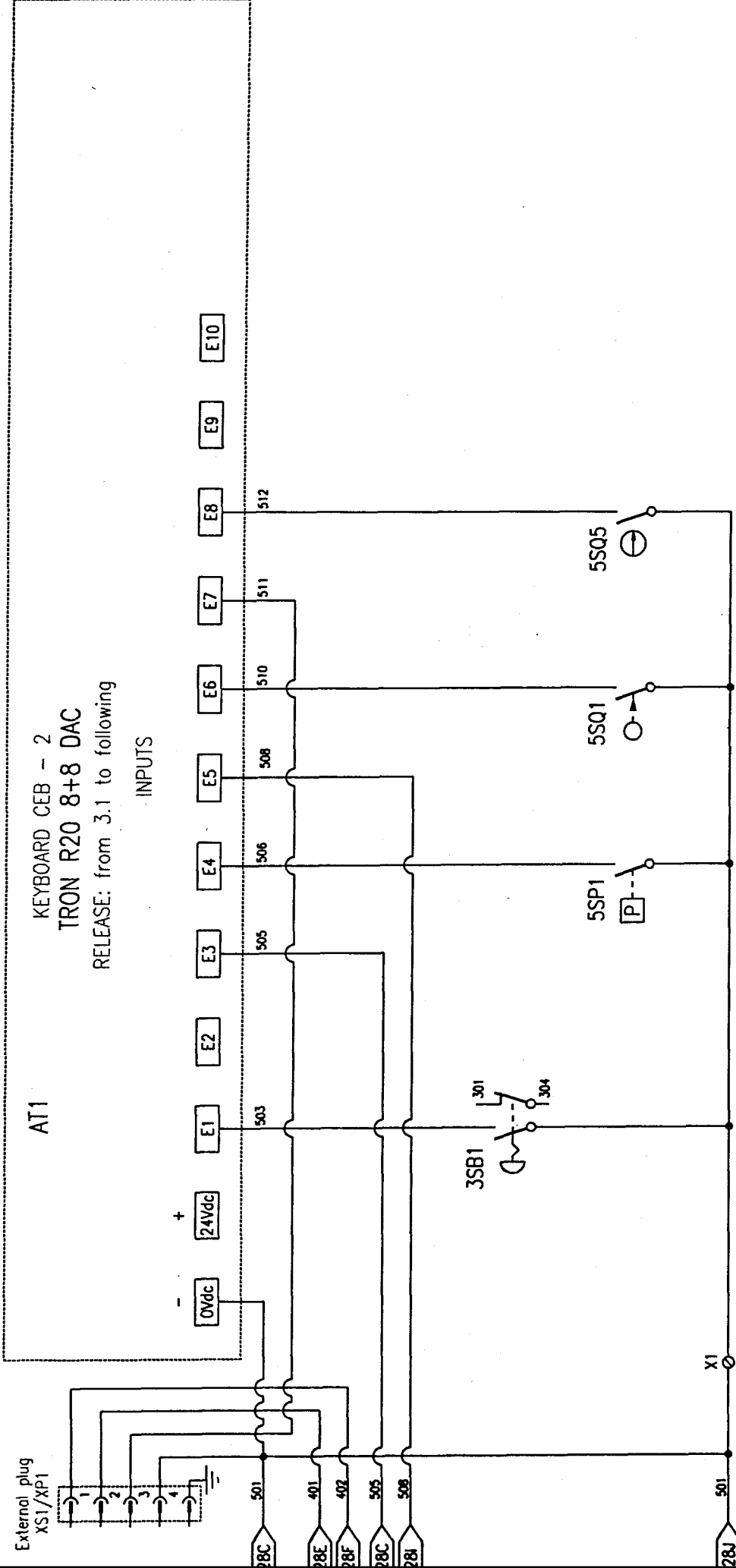
FILE	:	-
Data	:	09.2001
Foglio N°	:	4



KALAMAZOO MACHINE TOOL

H 280 SA

24	25	26	27	28
----	----	----	----	----



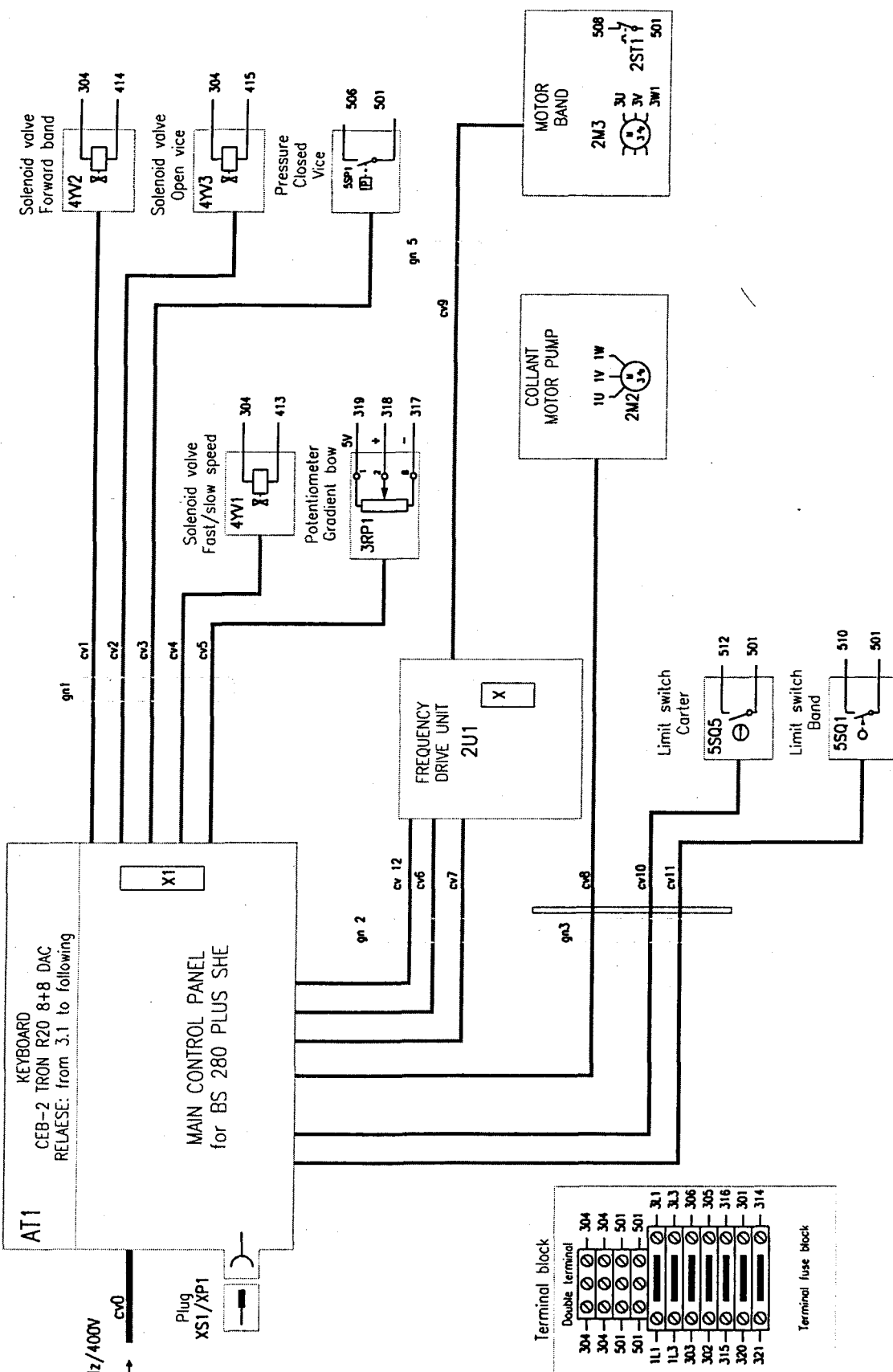
DISEGNO N° : QE0012F2				
FILE	: -			
Data	: 09.2001			
Foglio N°	: 5			
24	25	26	27	28



KALAMAZOO MACHINE TOOL

H 280 SA

1 2 3 4 5 6 7 8 9 10 11 12 13 14 15 16 17 18 19 20 21 22 23 24 25 26 27 28



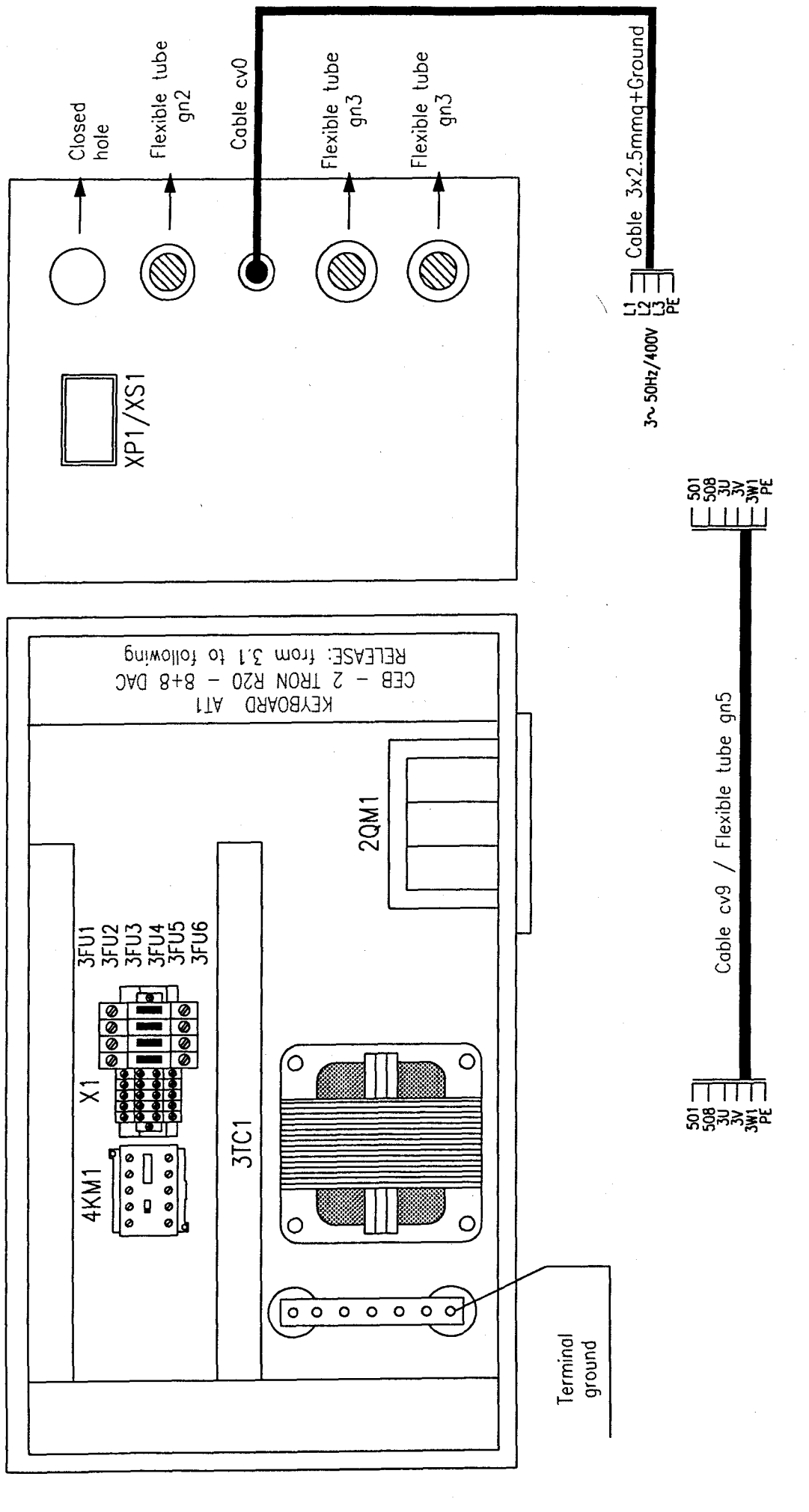
DISIGNO N° : QE0012F2
FILE : -
Data : 09.2001
Foglio N° : 6
24 25 26 27 28



KALAMAZOO MACHINE TOOL

H 280 SA

1 2 3 4 5 6 7 8 9 10 11 12 13 14 15 16 17 18 19 20 21 22 23 24 25 26 27 28



DISIGNO N°:	QE0012F2			
FILE	:			
Data	: 09.2001			
Foglio N°	: 7			
24	25	26	27	28



KALAMAZOO MACHINE TOOL

H 280 SA

1 2 3 4 5 6 7 8 9 10 11 12 13 14 15 16 17 18 19 20 21 22 23 24 25 26 27 28

REF.	DEVICE	SPECIFICATIONS	FUNCTION	FACTORY	TYPE	ITEM N°	Q.TY
20M1	Circuit breaker	3P-P.I. 6KA-4/6.3A-Rate 4.5A	Main circuit breaker - Ampere rating 4.5	TELEMECANIQUE	GV2 M10-4/6.3A	766162	1
20M1	Min. voltage relay	380V	Unloach main circuit		GV2 AU385	164908	1
20M1	Terminal box	IP55	Terminal box for main circuit breaker		GV2 MP02+V01	766198	1
2M2	3 Phase motor	0.15KW-400V-3000g/1'	Coolant motor pump	OMCC	PMU60L P150	331524	1
2M3	3 Phase motor	1.5/1.8KW-400V-1500/3000g/1'	Motor band	ELETTROADDA	B5 FC90 2-4RL	590050	1
2L1	Filter (optional)	RC + Cable 575V	Noise suppressor	MPM	130809	334010	1
2S11	Thermal switch	Classe B	Overcurrent protection motor band	TERMIK			3
2U1	Frequency drive unit	1.5KW-400V/3 Phase	Control speed motor band	TELEMECANIQUE	ALTIVAR 28ATV	521200	1
3A11	Keyboard 8+8 DAC	IP65-Code 28I-Release from 3.1	Control unit and programming	C.E.B.	R20 8+8 DAC	X091867	1
3RP1	Potentiometer	5K0hm/308'± 0.3%/IP65	Setting bow slope	SIKO	SP2841001941	699743	1
3FU1	Terminal block	4mmq./6.3A	Primary protection transformer	CUNTA CLIP	5TK 1 PA	694520	1
3FU1	Fuse	5x25mm./size 2A	Primary protection transformer	WEBER	5x25mm./2A	390010	1
3FU2	Terminal block	4mmq./6.3A	Primary protection transformer	CUNTA CLIP	5TK 1 PA	694520	1
3FU2	Fuse	5x25mm./size 2A	Primary protection transformer	WEBER	5x25mm./2A	390010	1
3FU3-4	Terminal block	4mmq./6.3A	Secondary protection transformer 0-20-24	CUNTA CLIP	5TK 1 PA	694520	1
3FU3-4	Fuse	5x20mm./size 6.3A	Secondary protection transformer 0-20-24	WEBER	5x20mm./6.3A	390001	1
3FU5-6	Terminal block	4mmq./6.3A	Secondary protection transformer 0-18	CUNTA CLIP	5TK 1 PA	694520	1
3FU5-6	Fuse	5x20mm./size 3.2A	Secondary protection transformer 0-18	WEBER	5x20mm./3.2A	390001	1
3TC1	Control circuit transformer	VA160/Ve 400 Vu1 0-20-24 Vu2 15-0-15 Vu3 0-9 Vu4 0-18	Main auxiliary supply	C.E.	T.T. CEI 14/6	931200	1
				Z.E.	TR		

DISEGNO N°: QE0012F2
 FILE : -
 Data : 09.2001
 Foglio N° : 8
 24 25 26 27 28



KALAMAZOO MACHINE TOOL

H 280 SA

1 2 3 4 5 6 7 8 9 10 11 12 13 14 15 16 17 18 19 20 21 22 23 24 25 26 27 28

REF.	DEVICE	SPECIFICATIONS	FUNCTION	FACTORY	TYPE	ITEM N°	Q.TY
3SB1	Pushbutton (emergency)	φ40mm. - Clearing rotating	Emergency stop button	BRETER	RM 065R +	709170	1
3SB1	Normally closed contact	NC - Red	Emergency stop button	CEMA	P9XER4RN		
3SB1	Normally open contact	NC - Green	Emergency stop button	BRETER	V 40 +	260231	1
				CEMA	P9B01UN		
				BRETER	V 50	260397	1
				CEMA	P9B10UN		
4KM1	Control master relay	4KW-9A-24Vac	Power coolant motor	LOVATO	MC9-10 24V	260750	1
				C.G.E.	MC1A 10 24V.		
4KM2	Control master relay	4KW-9A-24Vac	Power motor band - 1 speed	LOVATO	MC9-01 24V	260745	1
				C.G.E.	MC1A 01 24V		
4V1/2/3	Diode	700V/1A	No interference		IN 40007	312207	1
4V1	Solenoid valve 2/2 (hydraulic)	Size M22 - 24Vdc	Control fasten speed	COMATROL	EVH06C524CO	331699	1
4V2	Solenoid valve 5/2 (pneumatic)	CETOP 3 - 24Vac	Control forward band	BONESI	EC138B1AE	331611	1
4V3	Solenoid valve 5/2 (pneumatic)	CETOP 3 - 24Vac	Control open vice	BONESI	EC138B1AE	331611	1
4VC1	Plug with rectifier bridge	AC/DC 24V	Connection solenoid valve 4V1	MPM	SP 999	260175	1
5S01	Limit switch	IP00 - NO/0/NC	Control band position	PIZZATO	MS 06	520916	1
5S05	Limit switch	IP65 - NO/0/NC	Control carter position	PIZZATO	FK39J3-01	520765	1
5SP1	Pressure	1/8"-0.15 Bar NO	Control closed vice	ELETTROTEC	PMN ZA 11	699897	1

DISEGNO N°: QE0012F2
 FILE : -
 Data : 09.2001
 Foglio N° : 9
 24 25 26 27 28



KALAMAZOO MACHINE TOOL

H 280 SA

