

Diseg.	RCD	Dis. N	RI0198A2
B			

KALAMAZOO MACHINE TOOL



H 350 M

Modifico

N°	CODICE	DESCRIZIONE	Q	N°	CODICE	DESCRIZIONE	Q	N°	CODICE	DESCRIZIONE	Q
1	227510		1	51	758760		1	101	780850		1
2			1	52	856999		1	102			1
3	970248		2	53			2	103	688660		1
4	970248		4	54			4	104			1
5	970248		4	55			4	105	306475		2
6	630970		2	56			2	106	929286		2
7			1	57	497303		1	107	303070		1
8	970248		1	58	750180		1	108	172050		1
9	970248		2	59	283020		2	109	363233		1
10	970248		2	60	758760		2	110	323390		1
11	973445		4	61	167257		4	111			1
12	118500		1	62	791620		1	112			1
13	227230		1	63	536675		1	113			1
14	141000		1	64	973445		1	114			2
15	529020		1	65	966445		1	115			2
16	513931		1	66	918592		1	116			1
17	729300		1	67	652790		1	117			1
18	729320		1	68	851799		1	118			1
19	157220		1	69	492800		1	119			1
20	144990		1	70	973445		1	120			2
21	330050		1	71	283020		1	121			1
22	144995		1	72	651530		1	122			1
23	157220		1	73	654710		1	123			1
24	330055		1	74	497303		1	124			1
25	529020		1	75	857100		1	125			1
26	513931		1	76	681000		1	126			1
27	144992		1	77	630970		1	127			1
28	976548		1	78	673860		1	128			1
29	547200		1	79	521145		1	129			1
30	513931		2	80			2	130			1
31	537249		1	81	182885		1	131			1
32	495251		1	82	265792		1	132			1
33	979645		2	83	759501		2	133			1
34	658666		1	84	698055		1	134			1
35	957134		1	85	971895		1	135			2
36	941302		1	86	267504		1	136			1
37			1	87			1	137			1
38	547312		1	88	971895		1	138			2
39	971895		1	89			1	139			1
40			1	90			1	140			1
41	184000		1	91			1	141			1
42	485505		1	92	735602		1	142			1
43	698050		1	93	729295		1	143			1
44	267502		1	94	114100		1	144			1
45			1	95	154890		1	145			1
46			1	96	492788		1	146			1
47			1	97	946780		1	147			1
48	957130		1	98	303050		1	148			1
49	851900		1	99	778615		1	149			1
50	911015		1	100	547316		1	150			1



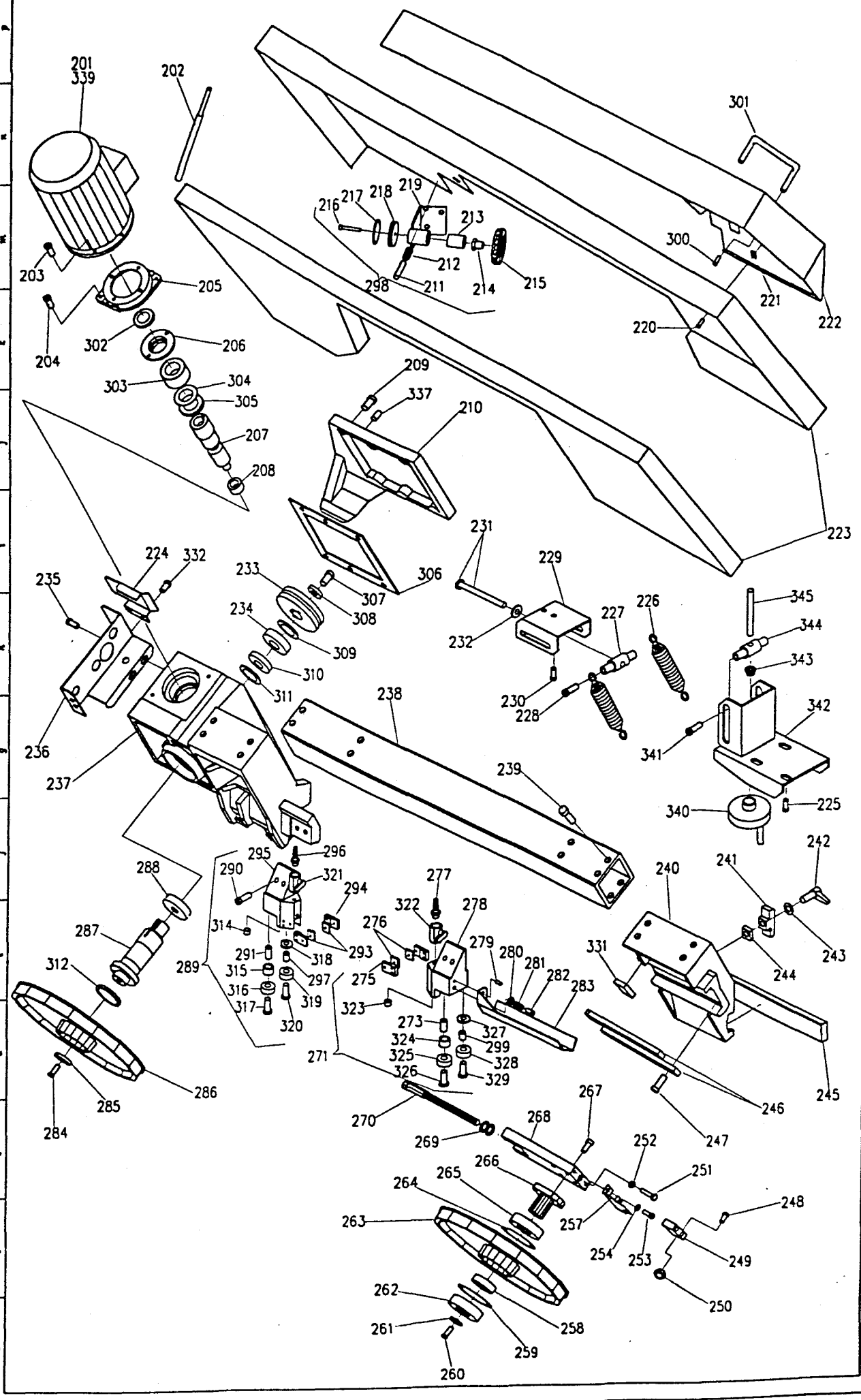
KALAMAZOO MACHINE TOOL

H 350 M

Diseg.	RCD	Dis. N	R10198A2

Modific

KALAMAZOO MACHINE TOOL



N°	CODICE	DESCRIZIONE	Q	N°	CODICE	DESCRIZIONE	Q	N°	CODICE	DESCRIZIONE	Q
201	569120		1	251	994800		1	301	536100		1
202	544800		1	252	306500		1	302	129081		1
203	978095		4	253	976113		1	303	292285		1
204	978095		2	254	748695		1	304	750159		1
205	349351		1	255			1	305	497200		1
206	349353		1	256			1	306	510290		1
207	958930		1	257	699579		1	307	973445		1
208	280765		1	258	327118		1	308	738976		1
209	978095		6	259	128116		1	309	322055		1
210	266299		1	260	964920		1	310	497483		1
211	946607		2	261	742333		1	311	750185		1
212	547200		2	262	291020		1	312	129770		1
213	180052		1	263	707235		1	313			1
214	330010		1	264	128116		1	314	515796		1
215	785770		1	265	291020		1	315	325590		1
216	983250		1	266	113502		1	316	284209		1
217	119840		1	267	978870		1	317	980420		1
218	763200		1	268	658663		1	318	744550		1
219	863150		1	269	546957		20	319	284209		1
220	970200		3	270	792334		1	320	978870		1
221	667770		3	271	631155		1	321	755801		1
222	201500		1	272	284209		1	322	755801		1
223	201501		1	273	180048		1	323	515796		1
224	521652		1	274			1	324	325590		1
225			1	275	697300		2	325	284209		1
226	547652		2	276	515800		1	326	980420		1
227	646550		1	277	695995		1	327	744550		1
228			1	278	631097		1	328	284209		1
229	522100		1	279	788220		1	329	978870		1
230			1	280	749470		1	330			1
231	180808		1	281	547200		1	331	157212		1
232	744987		1	282	976548		1	332	976113		2
233	276668		1	283	728544		1	333	306500		2
234	283020		1	284	956844		1	334			1
235	977650		2	285	735902		1	335			1
236	522630		1	286	707220		1	336			1
237	727299		1	287	114290		1	337	791945		2
238	938500		1	288	283020		1	338			1
239	975822		8	289	631150		1	339	589275		1
240	856000		1	290			1	340	964225		1
241	798880		1	291	180048		1	341	983893		1
242	536675		1	292	284209		1	342	522105		2
243	747145		1	293	515800		2	343	179990		1
244	279100		1	294	697300		2	344	646550		1
245	688794		1	295	631095		1	345	929342		1
246	658347		1	296	695220		1	346			1
247	995145		4	297	180050		1	347			1
248	975923		1	298	178570		1	348			1
249	520864		1	299	180050		1	349			1
250	294002		1	300	970213		2	350			1

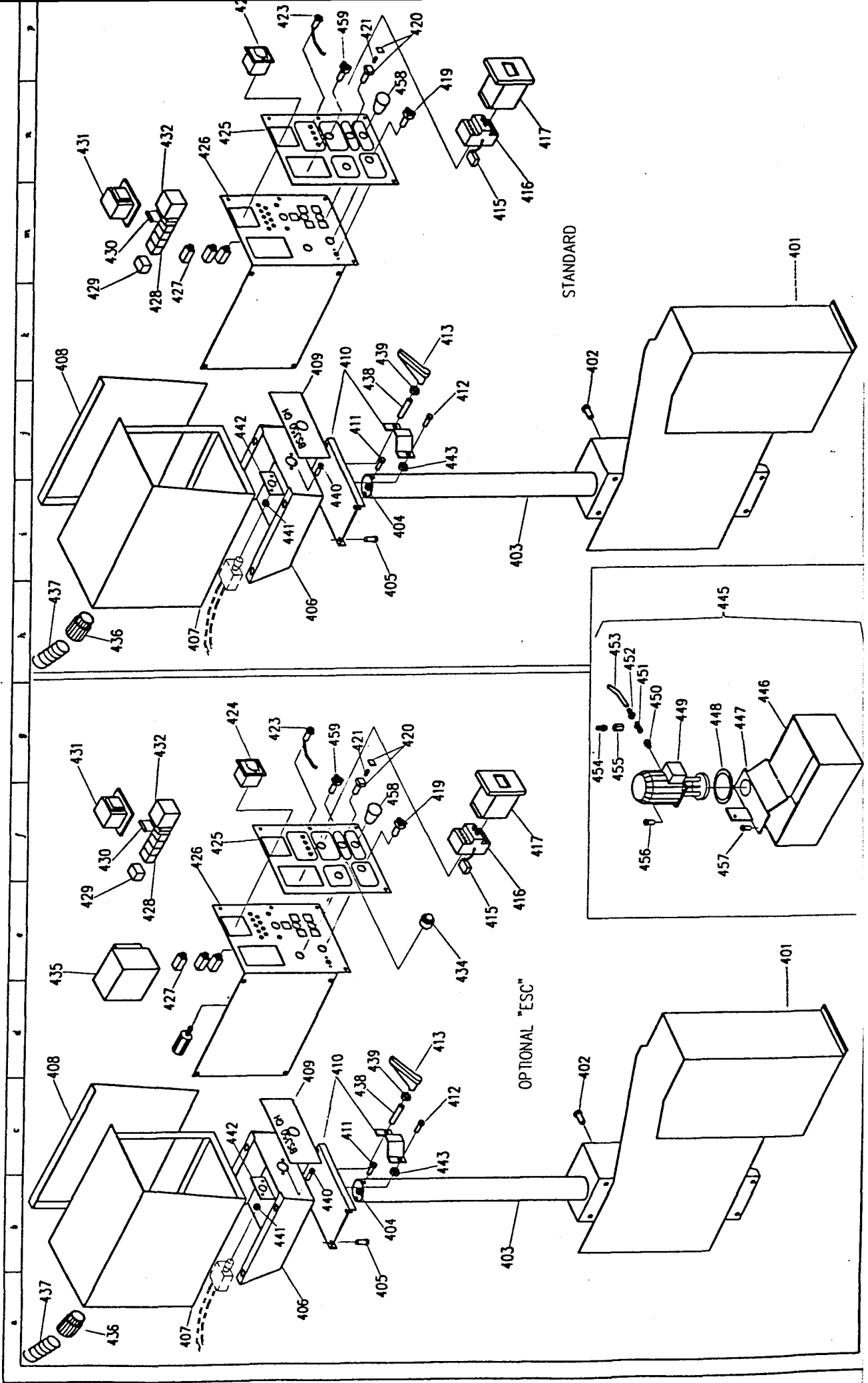


KALAMAZOO MACHINE TOOL

H 350 M

Diseg. RCD Dis. N. R10198A2

Modifica



KALAMAZOO MACHINE TOOL

H 350 M

Diseg.	RCD	Dis. N	RI0198A2
38			

N°	CODICE	DESCRIZIONE	Q	N°	CODICE	DESCRIZIONE	Q	N°	CODICE	DESCRIZIONE	Q
401	521940		1	451	722000		1	501			
402	978095		4	452	696346		1	502			
403	169465		1	453	935500		1	503			
404	307720		1	454	694925		1	504			
405	978095		4	455	755995		1	505			
406	713131		1	456	976545		4	506			
407	713128		1	457	976545		2	507			
408	266255		1	458			1	508			
409	139985		1	459			1	509			
410	522610		1	460			1	510			
411	977485		1	461			1	511			
412	983893		1	462			1	512			
413	536521		1	463			1	513			
414			1	464			1	514			
415	164908		1	465			1	515			
416	766162		1	466			1	516			
417	766158		1	467			1	517			
418			1	468			1	518			
419			1	469			1	519			
420	709508		5	470			5	520			
421	523150		5	471			5	521			
422			1	472			1	522			
423	786691		1	473			1	523			
424	118282		1	474			1	524			
425	904719		1	475			1	525			
426	629255		1	476			1	526			
427			1	477			1	527			
428			1	478			1	528			
429			1	479			1	529			
430			1	480			1	530			
431	932500		1	481			1	531			
432			1	482			1	532			
433			1	483			1	533			
434	699748		1	484			1	534			
435	521200		1	485			1	535			
436	718862		1	486			1	536			
437	507382		1	487			1	537			
438	941650		1	488			1	538			
439	303070		2	489			2	539			
440	967245		2	490			2	540			
441	306475		1	491			1	541			
442	522890		1	492			1	542			
443	303845		1	493			1	543			
444			1	494			1	544			
445	330310		1	495			1	545			
446	940895		1	496			1	546			
447	697836		1	497			1	547			
448	510200		1	498			1	548			
449	331427		1	499			1	549			
450	616628		1	500			1	550			



KALAMAZOO MACHINE TOOL

H 350 M

Diseg. _____ RCD _____ Dis. N. R10198A2

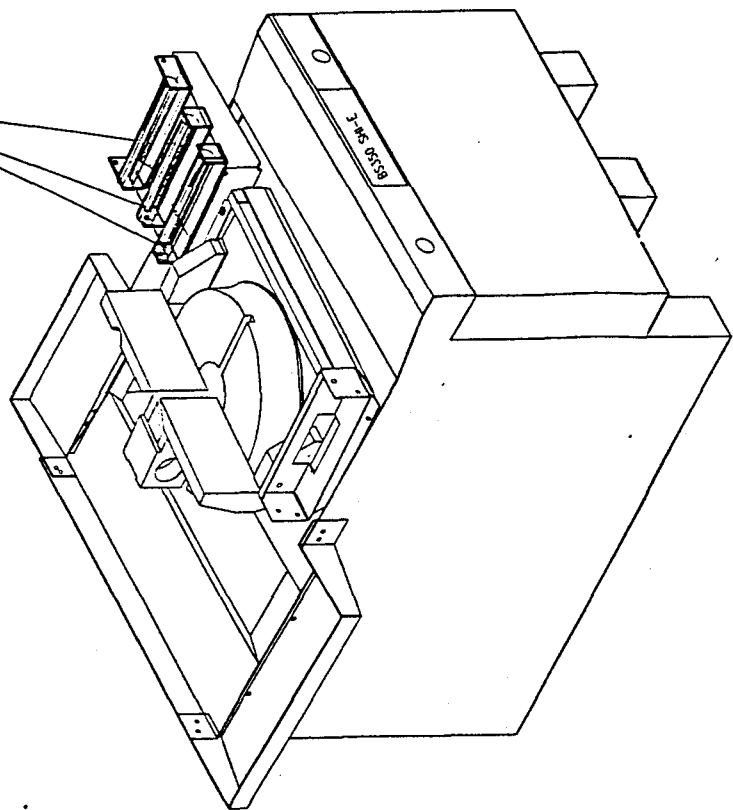
Modifica

N°	CODICE	DESCRIZIONE	Q	N°	CODICE	DESCRIZIONE	Q	N°	CODICE	DESCRIZIONE	Q
501			1	651				701			
502				652				702			
503				653				703			
504				654				704			
505				655				705			
506				656				706			
507				657				707			
508				658				708			
509				659				709			
610				660				710			
611				661				711			
612	RAB355	KIT ADATTATORE PIANO A RULLI SCARICO BS350	1	662				712			
613	977485	MIE_TCE BX14 UNI5931	8	663				713			
614	759501	RULLO GL/10 60Z C400 D10 51,5	3	664				714			
615	977485	MIE_TCE BX14 UNI5931	4	665				715			
616	928750	TESTATA ATTACCO RULLIERA_SCARICO_BS350	1	666				716			
617	307720	DADO ES.MB UNI5588	4	667				717			
618	697985	PORTARULLO TESTATA SCARICO BS350	2	668				718			
619	307720	DADO ES.MB UNI5588	8	669				719			
620				670				720			
621				671				721			
622				672				722			
623				673				723			
624				674				724			
625				675				725			
626				676				726			
627				677				727			
628				678				728			
629				679				729			
630				680				730			
631				681				731			
632				682				732			
633				683				733			
634				684				734			
635				685				735			
636				686				736			
637				687				737			
638				688				738			
639				689				739			
640				690				740			
641				691				741			
642				692				742			
643				693				743			
644				694				744			
645				695				745			
646				696				746			
647				697				747			
648				698				748			
649				699				749			
650				700				750			



KALAMAZOO MACHINE TOOL

RAB35S



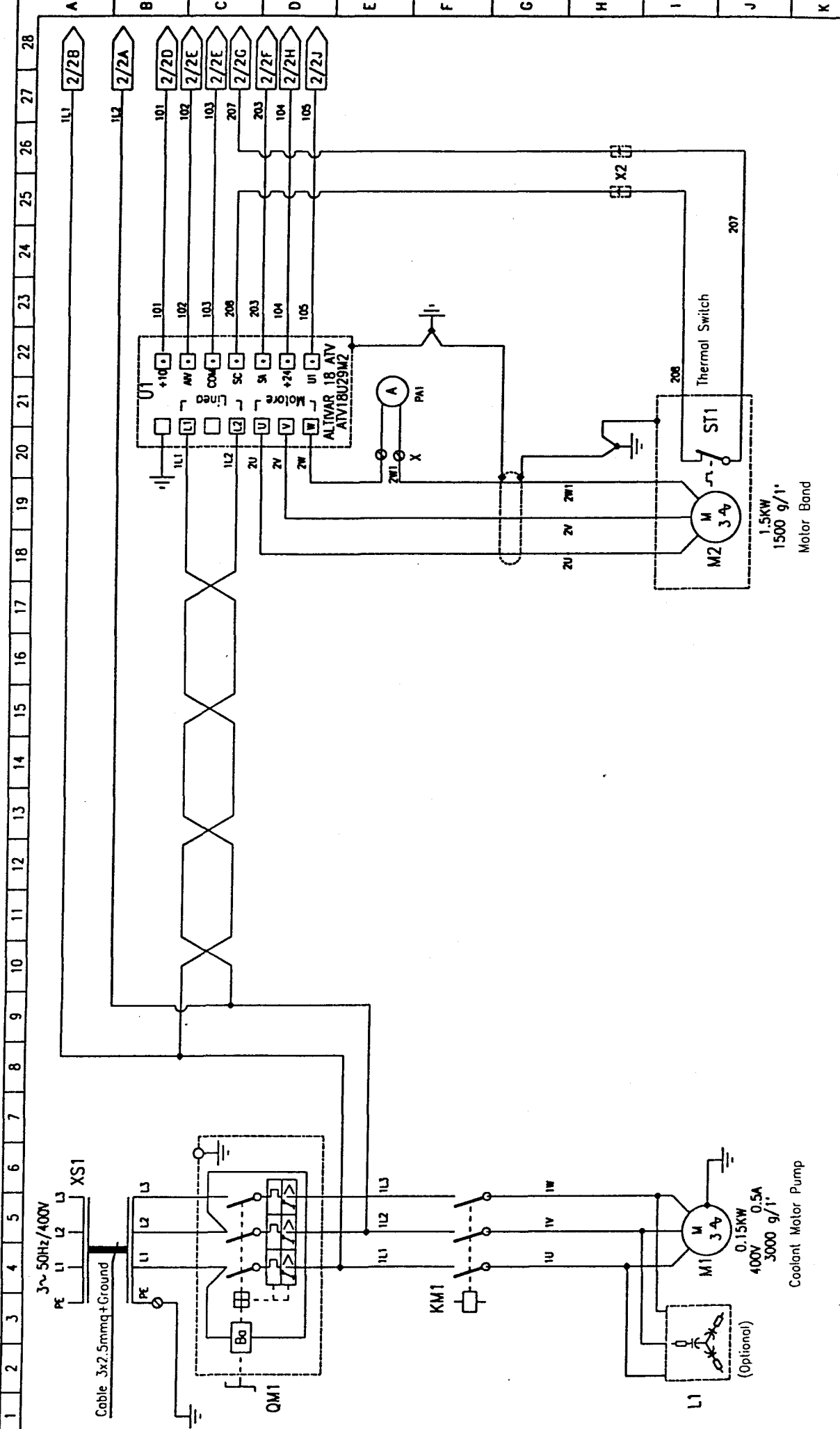
KALAMAZOO MACHINE TOOL

H 350 M

Diseg. RCD

Dis. N RI0198A2

M. S. P. G.



1	2	3	4	5	6	7	8	9	10	11	12	13	14	15	16	17	18	19	20	21	22	23	24	25	26	27	28
A																											
B																											
C																											
D																											
E																											
F																											
G																											
H																											
I																											
J																											
K																											

DISEGNO N° : QE0108A3
 FILE : -
 Data : 09.1998
 Foglio N° : 1

H 350 M
 24 25 26 27 28



KALAMAZOO MACHINE TOOL

M1
 0.15KW
 400V 0.5A
 3000 g/1'

Coolant Motor Pump

M2
 1.5KW
 1500 g/1'

Motor Band

U1
 +10
 AN
 COM
 SC
 SA
 +24
 UI
 ALTIVAR 18 ATV
 ATV18U29M2

Thermal Switch

ST1

PA1

X

ZU

ZV

ZW

ZW1

ZU

ZV

ZW

ZW1

ZU

ZV

ZW

ZW1

ZU

ZV

ZW

ZW1

ZU

ZV

ZW

ZW1

ZU

ZV

ZW

ZW1

ZU

ZV

ZW

ZW1

ZU

ZV

ZW

ZW1

ZU

ZV

ZW

ZW1

ZU

ZV

ZW

ZW1

ZU

ZV

ZW

ZW1

ZU

ZV

ZW

ZW1

ZU

ZV

ZW

ZW1

ZU

ZV

ZW

ZW1

ZU

ZV

ZW

ZW1

ZU

ZV

ZW

ZW1

ZU

ZV

ZW

ZW1

ZU

ZV

ZW

ZW1

ZU

ZV

ZW

ZW1

ZU

ZV

ZW

ZW1

ZU

ZV

ZW

ZW1

ZU

ZV

ZW

ZW1

ZU

ZV

ZW

ZW1

ZU

ZV

ZW

ZW1

ZU

ZV

ZW

ZW1

ZU

ZV

ZW

ZW1

ZU

ZV

ZW

ZW1

ZU

ZV

ZW

ZW1

ZU

ZV

ZW

ZW1

ZU

ZV

ZW

ZW1

ZU

ZV

ZW

ZW1

ZU

ZV

ZW

ZW1

ZU

ZV

ZW

ZW1

ZU

ZV

ZW

ZW1

ZU

ZV

ZW

ZW1

ZU

ZV

ZW

ZW1

ZU

ZV

ZW

ZW1

ZU

ZV

ZW

ZW1

ZU

ZV

ZW

ZW1

ZU

ZV

ZW

ZW1

ZU

ZV

ZW

ZW1

ZU

ZV

ZW

ZW1

ZU

ZV

ZW

ZW1

ZU

ZV

ZW

ZW1

ZU

ZV

ZW

ZW1

ZU

ZV

ZW

ZW1

ZU

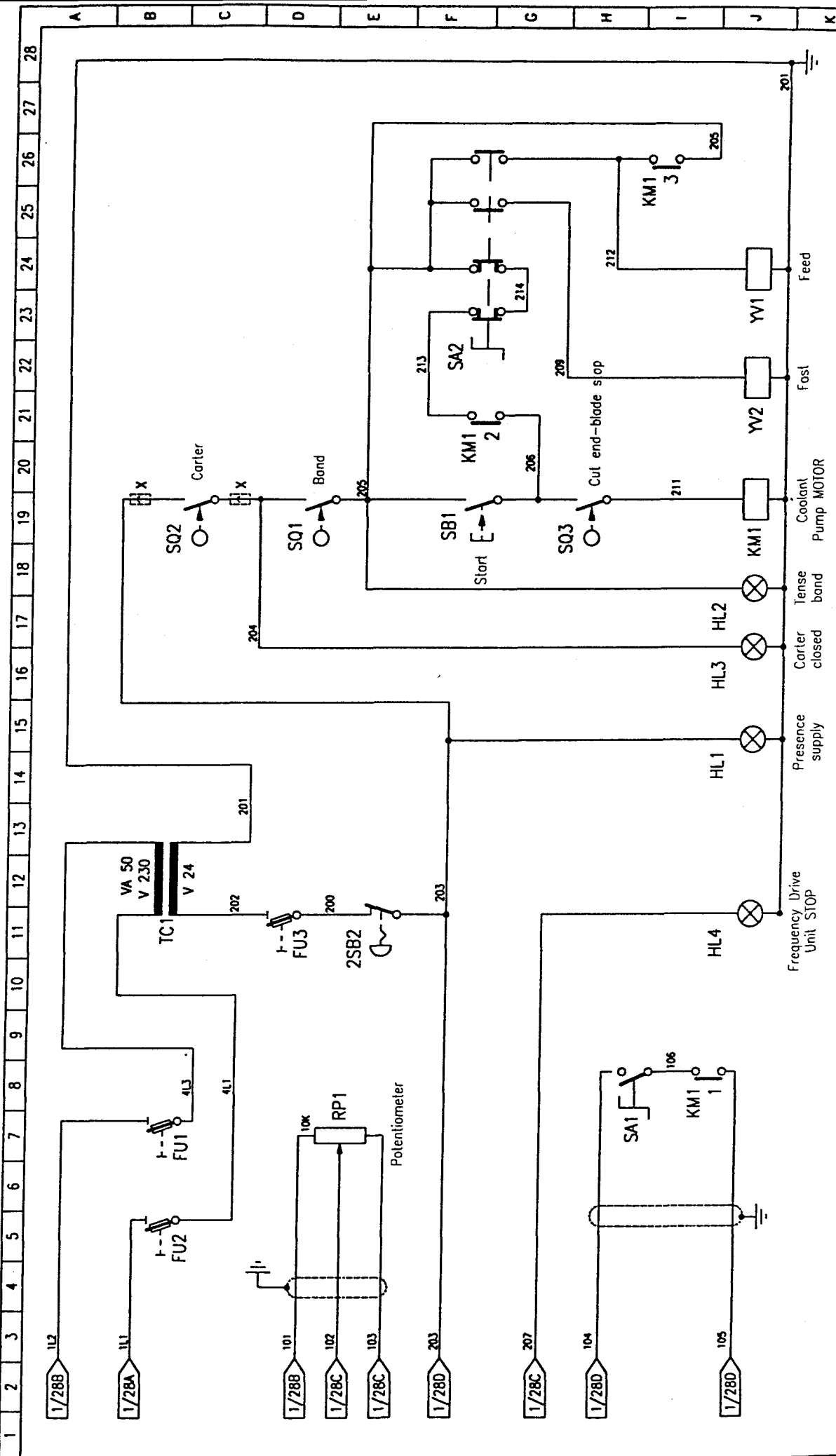
ZV

ZW

ZW1

ZU

ZV

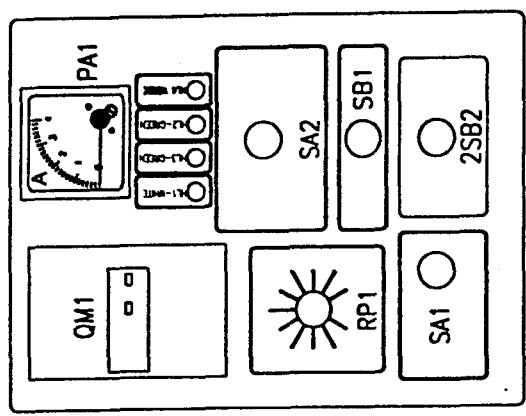


KALAMAZOO MACHINE TOOL

H 350 M

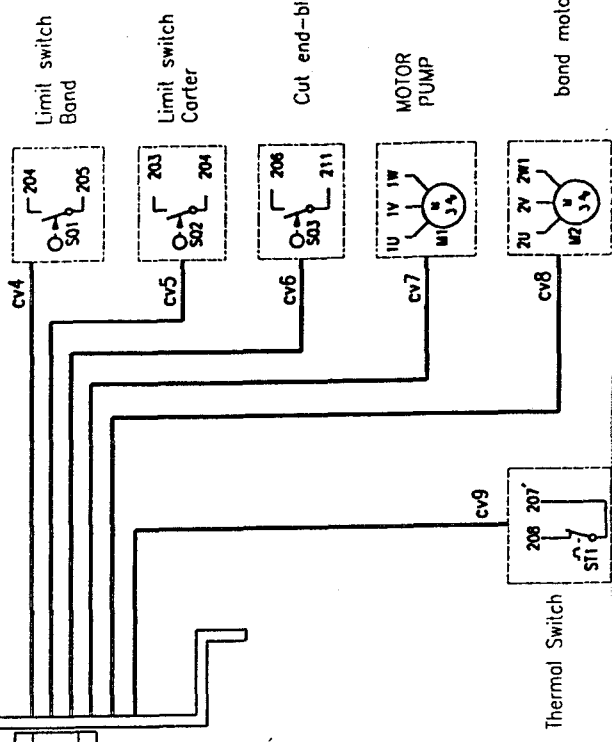
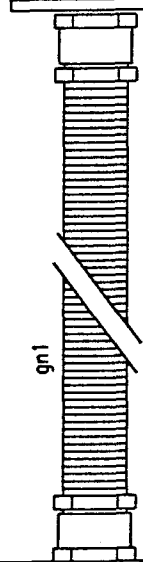
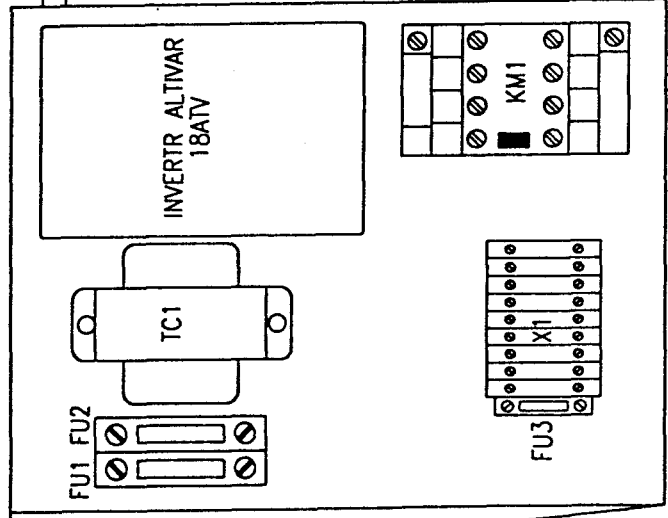
DISEGNO N° : QED108A3	
FILE	: -
Data	: 09.1998
Foglio N°	: 2
24	25
26	27
28	

1 2 3 4 5 6 7 8 9 10 11 12 13 14 15 16 17 18 19 20 21 22 23 24 25 26 27 28



cv1

Input main supply 3~ 50Hz/400V + GND
Flexible cable N07W-K/4G1.5mmq



DISEGNO N° : QED108AJ				
FILE :	-			
Data :	09.1998			
Foglio N° :	3			
24	25	26	27	28



KALAMAZOO MACHINE TOOL

H 350 M

1	2	3	4	5	6	7	8	9	10	11	12	13	14	15	16	17	18	19	20	21	22	23	24	25	26	27	28
REF.	DEVICE	SPECIFICATIONS										FUNCTION	FACTORY	TYPE	ITEM N°	Q.TY											
FU1	Fuse block	10X38	Primary protection transformer										Primary protection transformer	CONTA CLIP	01127	694500	1										
FU1	Fuse	10X38 - size 2A	Primary protection transformer										Primary protection transformer	WEBER	10X38 CERAMIC	390111	1										
FU2	Fuse block	10X38	Primary protection transformer										Primary protection transformer	CONTA CLIP	01127	694500	1										
FU2	Fuse	10X38 - size 2A	Secondary protection transformer										Secondary protection transformer	WEBER	10X38 CERAMIC	390111	1										
FU3	Fuse block	4mp - 6A	Secondary protection transformer										Secondary protection transformer	CONTA CLIP	STK1-PA	694820	1										
FU3	Fuse	5x20mm. - Size 6.3A	Power coolant motor pump										Power coolant motor pump	WEBER	5x20mm./0.8A	390001	1										
KM1	Control master relay	4KW - 9A - 24Vac	Coolant motor pump										Coolant motor pump	LOVATO	MC9-10-24	260750	1										
M1	3Phase motor	0.15KW-400V- 3000g/1'	Circular motor										Circular motor	OMCG	PMU40L P90	331416	1										
M2	3Phase motor	1.5W 400V	Noise suppressor										Noise suppressor	ELECTROADDA	B14 FC 90L 4 POLI	589275	1										
L1	Filter (optional)	RC+Cable 575V	BAND motor current control										BAND motor current control	MPM	130809	1											
PA1	Ampermeter	0 / 5 a Mec 72X72	Supply=White Band=Green Carter=Green										Supply=White Band=Green Carter=Green	PANTEC	72/72 5A ANALOG.	118282	1										
HL1/2/3	Pilot lights	IP44 + Cable 1.200mm-24V	STOP frequency drive unit = green										STOP frequency drive unit = green	SIGNALUX	ART3190 24V	786691	1+2										
HL4	Pilot lights	IP44 + Cable 1.200mm-24V	Main circuit breaker - Ampere rating 4.5										Main circuit breaker - Ampere rating 4.5	SIGNALUX	ART3190 24V	786691	1										
OM1	Circuit breaker	6-10A	Unlooh main circuit										Unlooh main circuit	TELEMECANIQUE	GV2 M14/6-10A	766165	1										
OM1	Min. voltage relay	220V	Box for main circuit breaker										Box for main circuit breaker	TELEMECANIQUE	GV2 AU225	164906	1										
OM1	BOX	IP55	Control speed band motor										Control speed band motor	TELEMECANIQUE	GV2 MP04 + V01	766196	1										
RP1	Potentiometer	10K Ohm Rotatin type, diam.6X50	Control speed band motor										Control speed band motor	CCE - CEMA	080 PTZ	699748	1										
RP1	Handle for Potentiometer	Hole diam. 22mm, rear type	Band motor										Band motor	BRETER	RM300N	699748	1										
SA1	Selectior	2pos	Band motor										Band motor	BRETER	RM300N	773800	1										
SA1	Normally contact	NO green IP20	Manual - automatic										Manual - automatic	BRETER	V50+P24418V	260397	1										
SA2	Selectior	3pos	Manual - automatic										Manual - automatic	BRETER	RM380N	773810	1										
SA2	Normally contact	NO green IP20	Manual - automatic										Manual - automatic	BRETER	V50+P24418V	260397	1										
SA2	Normally contact	NC red IP20	Manual - automatic										Manual - automatic	BRETER	V40+P24417R	260231	1										
SA2	Normally contact	NC ril.grigio	Manual - automatic										Manual - automatic	BRETER	VRO+P24419H	260235	1										
SA2	Normally contact	NO ant.yellow	Control band motor										Control band motor	BRETER	VA0+P24420C	260399	1										
SB1	Pushbutton start	D22	Control band motor										Control band motor	BRETER	RM010N+P22804B	708395	1										
SB1	Normally contact	NO green IP20	Control band position										Control band position	BRETER	V50+P24418V	260397	1										
S01	Limit switch	IP00	Control carter closed										Control carter closed	PIZZATO	MS 06	520916	1										
S02	Limit switch	IP67 with cable	Control position										Control position	TELEMECANIQUE	XCMA1032 90°	521000	1										
S03	Limit switch	IP67 with cable	Overcurrent protection band motor										Overcurrent protection band motor	TELEMECANIQUE	XCMA1023	521145	1										
ST1	Thermal switch	Classe B	Main auxiliary supply										Main auxiliary supply	TERMIK			1										
TC1	Control circuit transformer	20VA-VI 230/460-Vu 24 UL CSA	C.E.										C.E.		TM VA20 CSA	931220	1										

DISEGNO N° : QEO108A3
 FILE : -
 Data : 09.1998
 Foglio N° : 4

24 25 26 27 28
 H.350 M



KALAMAZOO MACHINE TOOL

1	2	3	4	5	6	7	8	9	10	11	12	13	14	15	16	17	18	19	20	21	22	23	24	25	26	27	28
REF.	DEVICE	SPECIFICATIONS										FUNCTION	FACTORY	TYPE	ITEM N°	Q.TY											
U1	Frequency drive unit	1.5KW-400V/3 phase										Control speed circular motor	TELEMECANIQUE	ALTMAR 18ATV	521200	1											
2SB2	Pushbutton (Emergency)	Clearing rotation,										Emergency stop button	ELFIN	02OPTAASRK	709285	1											
2SB2	Emergency contact	NO/NC										Emergency	ELFIN	020GE20		1											
XS1	Plug	3 P+Terra IEC 309 16A										Connection main supply	ILME	PE 1665 SV	787000	1											
X2	Insulation terminal	Sez. 1.5mmq										Connection thermal switch	K.E.	35038 + 35004	182942 + 182945	2											
X1	Terminal block	Double terminal block 2.5 mmq										Connection external equipments	CONTACLIP	RKD 2.5 PA	559092	9											
X	Insulation terminal	Sez. 1.5mmq										Connection thermal switch	K.E.	35038 + 35004	182942 + 182945	2											
YV1	Solenoid valve	2/2 24V AC 1/4" size										Control bow lowering	PARKER	VE146-A3-ABV	331690	1											
YV2	Solenoid valve	2/2 24V AC 1/4" size										Control rapid approach	PARKER	VE146-A3-ABV	331690	1											
gn1	Flexible tube	PVC 1" 2.5m										Connection external equipments	TEAFLEX	PAS-G29B	507382	1											
cv2	Flexible cable	N07V-K 2x1 mmq. 60cm										Connection				1											
cv3	Flexible cable	N07V-K 2x1 mmq. 60cm										Connection				1											
cv4	Flexible cable	N07V-K 2x1 mmq. 2.2m										Connection				1											
cv5	Flexible cable	N07V-K 2x1 mmq. 2.2m										Connection				1											
cv6	Flexible cable	N07V-K 2x1 mmq. 100cm										Connection				1											
cv7	Flexible cable	N07V-K 4G1.5mmq. 3m										Connection			205065	1											
cv8	Flexible cable	4G1.5mmq. scermato 50cm										Connection				1											
cv9	Flexible cable	N07V-K 2x1 mmq. 50cm										Connection				1											



KALAMAZOO MACHINE TOOL

H 350 M

DISEGNO N° : QEO108A3

FILE : -

Data : 09.1998

Foglio N° : 5

24	25	26	27	28
----	----	----	----	----